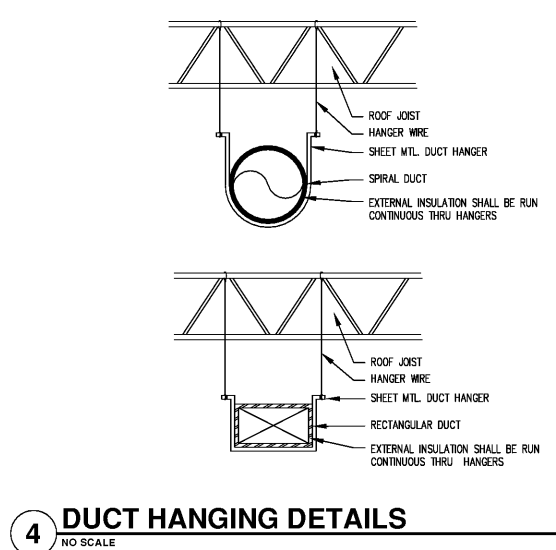
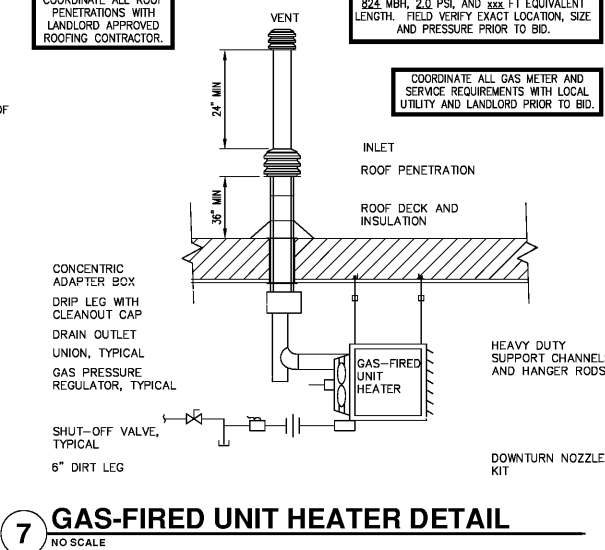


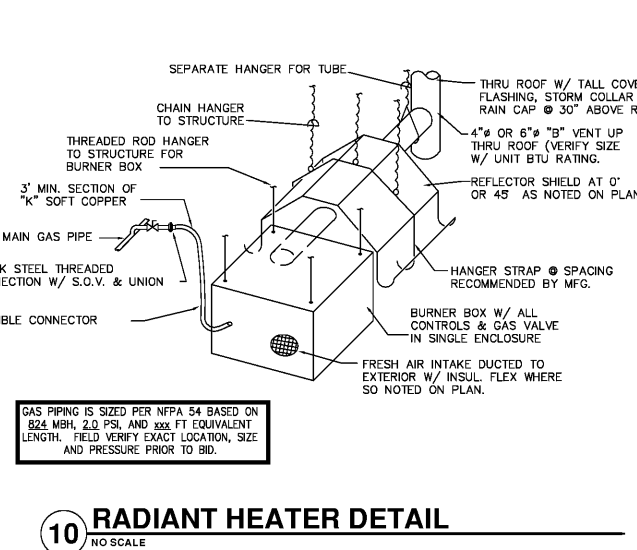
1 ROOFTOP UNIT CURB DETAIL
 NO SCALE



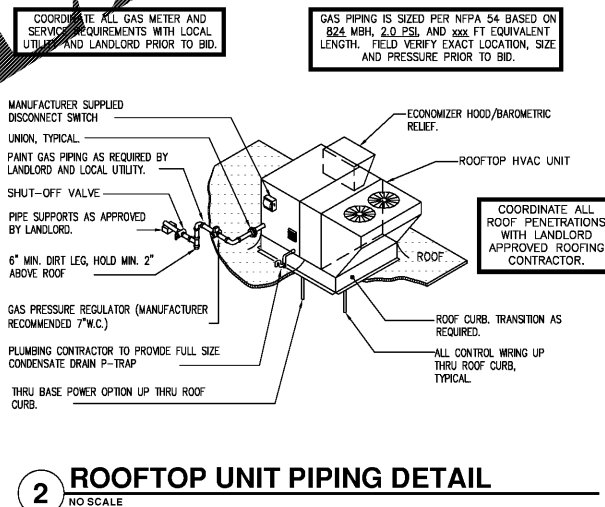
4 DUCT HANGING DETAILS
 NO SCALE



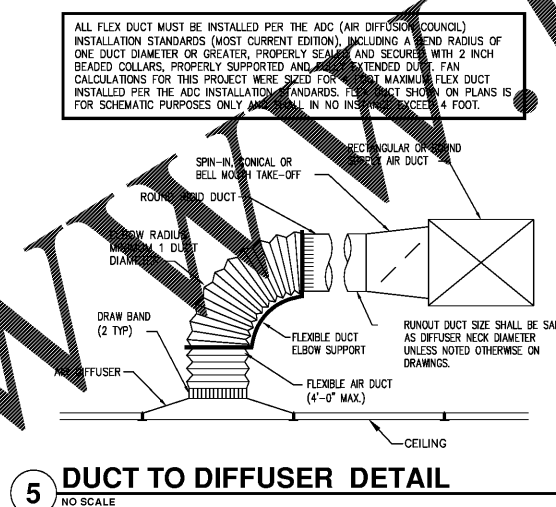
7 GAS-FIRED UNIT HEATER DETAIL
 NO SCALE



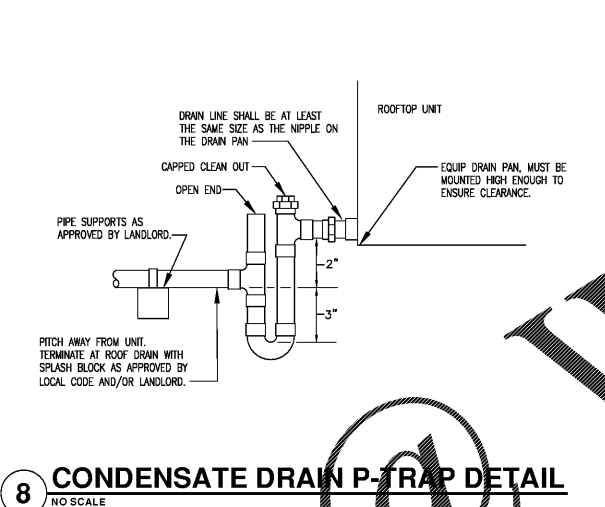
10 RADIANT HEATER DETAIL
 NO SCALE



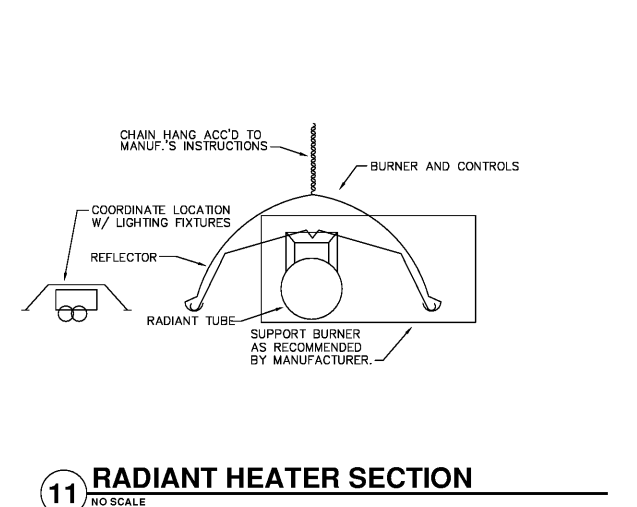
2 ROOFTOP UNIT PIPING DETAIL
 NO SCALE



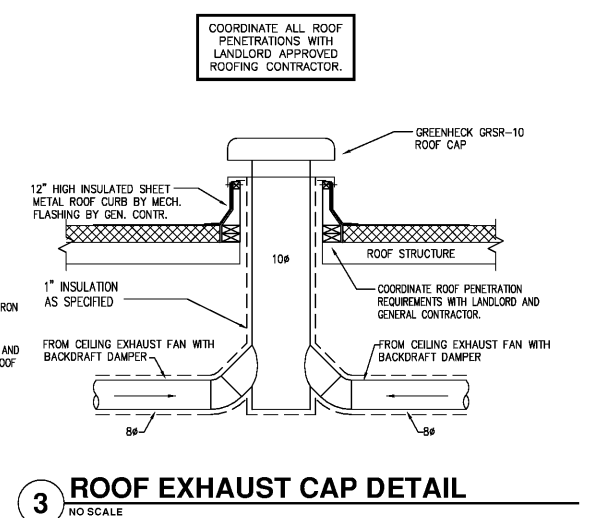
5 DUCT TO DIFFUSER DETAIL
 NO SCALE



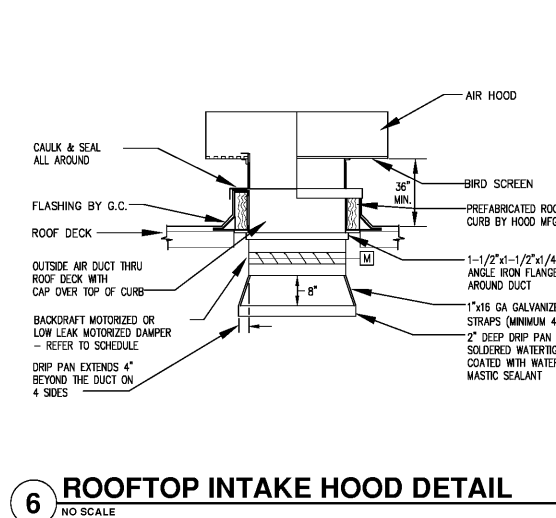
8 CONDENSATE DRAIN P-TRAP DETAIL
 NO SCALE



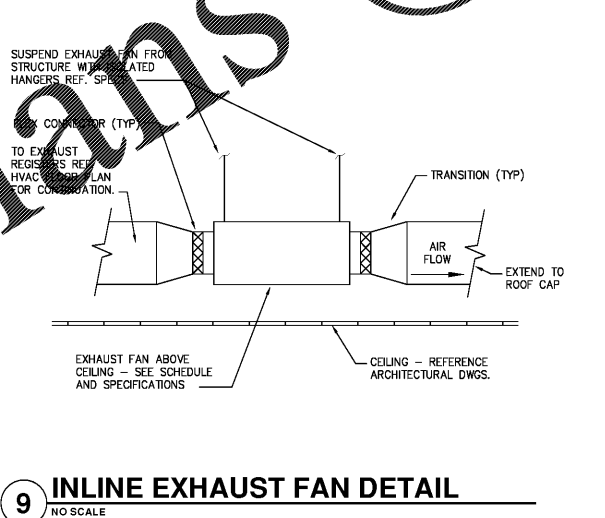
11 RADIANT HEATER SECTION
 NO SCALE



3 ROOF EXHAUST CAP DETAIL
 NO SCALE



6 ROOFTOP INTAKE HOOD DETAIL
 NO SCALE



9 INLINE EXHAUST FAN DETAIL
 NO SCALE



12 NOT USED
 NO SCALE

Order Plans @

WINDMILL