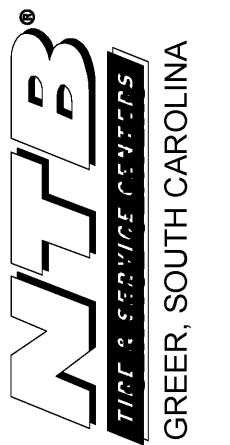


430 TBC WAY  
 PALM BEACH GARDENS  
 FLORIDA 33410

PROJECT INFORMATION:



SEAL:



PROJECT NO: 20150211  
 DRAWN BY: DB  
 CHECKED BY: FK

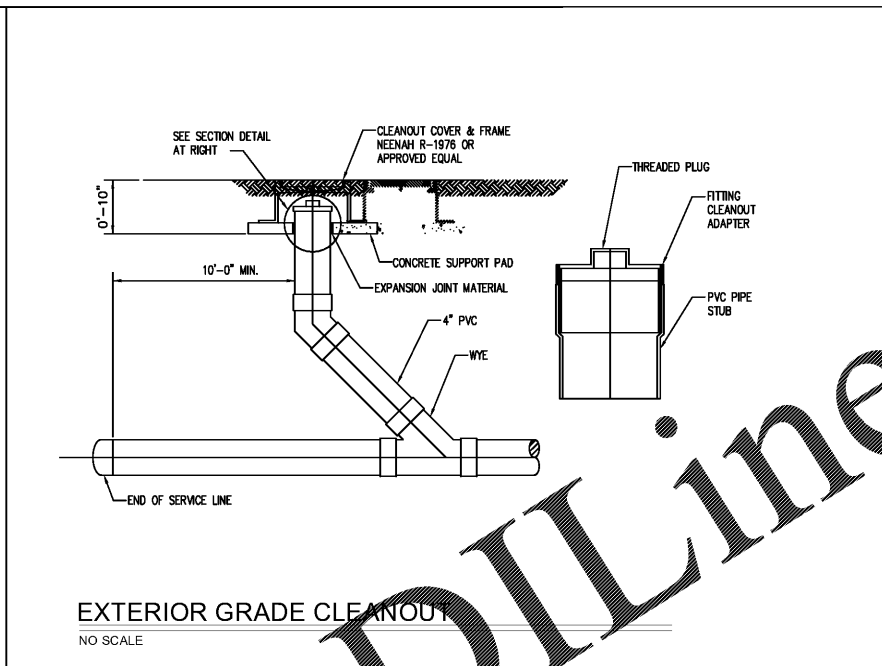
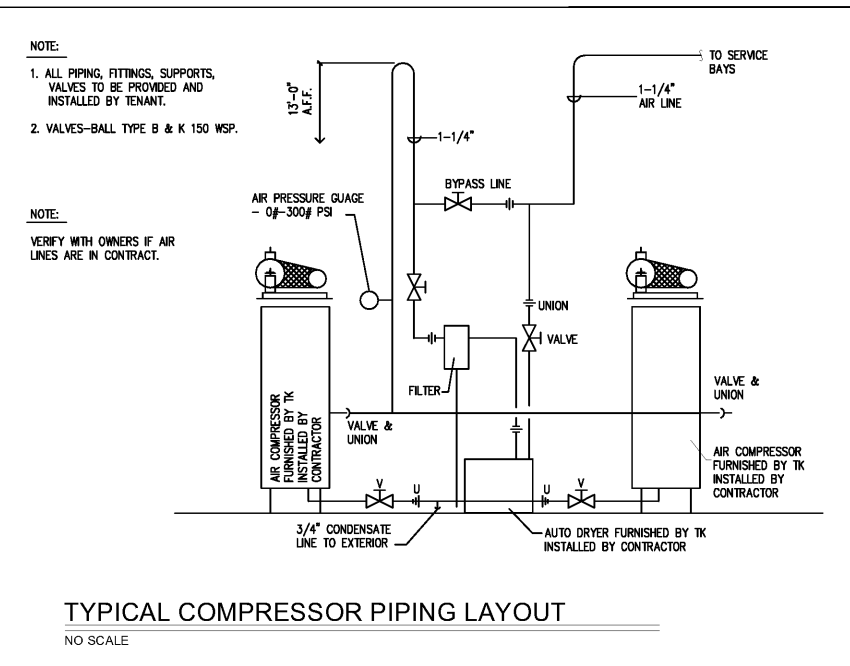
ISSUE: DATE:  
 ISSUED FOR PERMIT: 10/14/2015

REVISION: DATE:

SHEET TITLE:  
**SCHEDULES AND DETAILS**

SHEET NUMBER:

**P-2**

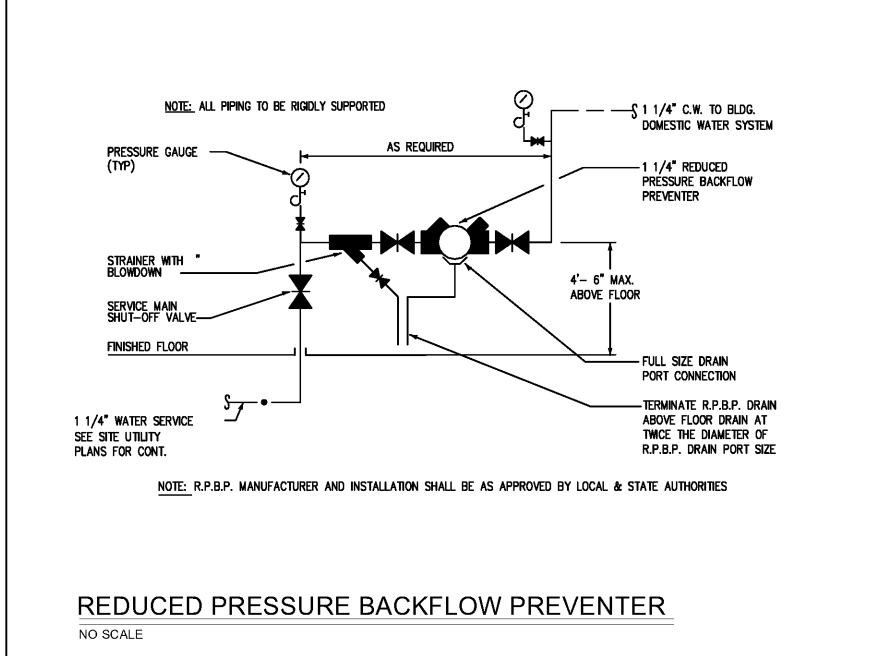
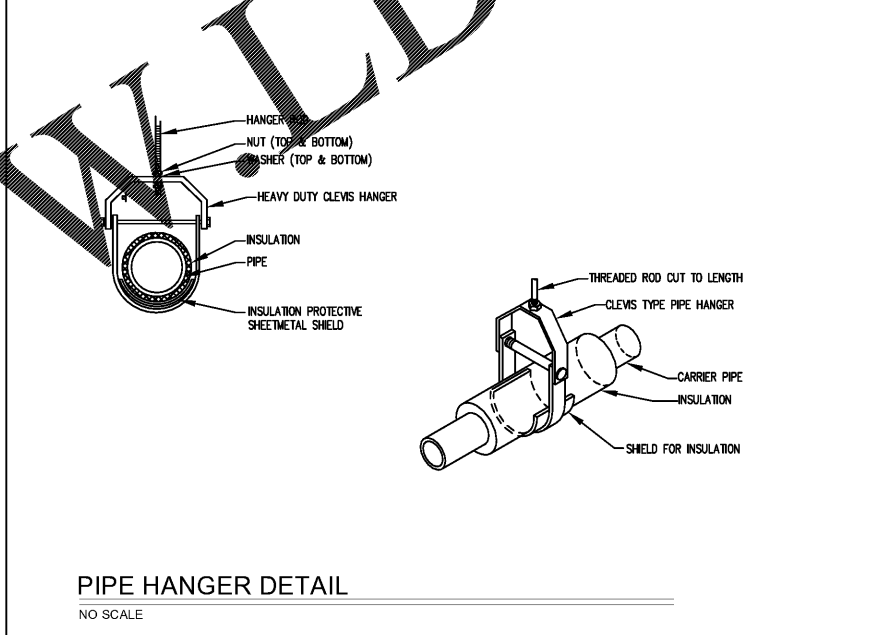


UNIT	DESCRIPTION	LOCAL CONNECTIONS				MOUNTING HEIGHT (IN)	NOTES
		WASTE (IN)	VENT (IN)	CW (IN)	HW (IN)		
P-1	AMERICAN STANDARD #2998.012 - FLUSH TANK WATER CLOSET WITH CHURCH #9500C - WHITE, OPEN FRONT SEAT.	4"	2"	1/2"	-	FLOOR	1,2,3,6
P-2	AMERICAN STANDARD #0355.012 - LAVATORY WITH AMERICAN STANDARD #2385.403 - FAUCET	2"	10"	1/2"	1/2"	36"	1,4,5
P-3	AMERICAN STANDARD #7695.008 - SERVICE SINK WITH AMERICAN STANDARD #8379.026 - RIM GUARD: #8340.243 - FAUCET AND 7798.030 - P-TRAP.	2"	1 1/2"	1/2"	1/2"	NOTE 2	3
P-4	OASIS #PVBACSL - BI-LEVEL ELECTRIC WATER COOLER.	-	2"	1/2"	-	-	1,4
P-5	WOODFORD B65 - RECESSED BOX AND LOCABLE DOOR, ASSE STANDARD 1019-B APPROVED. ANTI-SIPHON VACUUM BREAKER, 3/4" MALE HOSE THREAD.	-	-	3/4"	-	36"	4
P-5A	WOODFORD 24C - HOSE BIBB WITH KNOB HANDLE & 3/4" HOSE CONNECTION WITH ANTI-SIPHON VACUUM BREAKER (ASSE 1011).	-	-	3/4"	-	-	-
P-6	ZURN MODEL ZN415B-V, ROUND FLOOR DRAIN WITH CAST IRON BODY, BOTTOM OUTLET, BACKWATER VALVE, POLISHED NICKEL BRONZE GRATE.	3" - 4"	2"	-	-	FLOOR	-
P-7	HAWS 7261-7271 - PEDESTAL EYEWASH STATION WITH PADDLE HANDLE ACTIVATION. PROVIDE HAWS #9102 - DUST COVER.	2"	1 1/2"	1/2"	-	FLOOR	-
TD	ZURN MODEL Z-886-HD-DGE - 6" WIDE TRENCH DRAIN, 80"X 6-1/4" SECTIONS, CHANNELS MADE OF HIGH DENSITY POLYETHYLENE, DUCTILE IRON GRATING	4"	-	-	-	FLOOR	-
CB	ZURN MODEL Z-887-HD-DGE-Y - 6" WIDE CATCH BASIN, 20"X 6-1/4" SECTION, MADE OF HIGH DENSITY POLYETHYLENE, DUCTILE IRON GRATING	4"	-	-	-	SUB-FLOOR	-
WHA	WILKINS MODEL 1250 - WATER HAMMER ARRESTOR PROVIDED AS DETERMINED BY SITE CONDITIONS.	-	-	-	-	-	-
FCO	ZURN MODEL Z-1400 - ADJUSTABLE FLOOR CLEANOUT, CAST IRON BODY W/GAS AIR, WATER TIGHT ABS TAPERED THREAD PLUG AND ROUND DURA-COATED CAST IRON TOP.	4"	-	-	-	FLOOR	-
WCO	ZURN MODEL ZN-1447-BP - CAST IRON CLEANOUT TEE WITH 90° SS ACCESS COVER & GAS TIGHT BRONZE PLUG	-	-	-	-	24"	6
TP	JOSAM #88250 - TRAP PRIMER VALVE WITH INTEGRAL VACUUM BREAKER MOUNT ABOVE CEILING IN ACCESSIBLE LOCATION. COORDINATE WITH ARCH PRIOR TO INSTALL.	-	-	1/2"	-	ABOVE CEILING	4

NOTES:  
 1. ADA APPROVED.  
 2. SIDE TRIP LEVER SHALL BE LOCATED ON THE OPEN SIDE OF THE TOILET AWAY FROM THE WALL IN COMPLIANCE WITH ADA STANDARDS. (MODEL #2002.014 FOR LEFT SIDE TRIP LEVER, #2002.014 FOR RIGHT SIDE)  
 3. CAULK FIXTURE TO FLOOR WITH CLEAR SILICONE.  
 4. COORDINATE MOUNTING HEIGHT WITH ARCHITECT.  
 5. TIGHT FITTING TRAP AND SUPPLY END TO BE WRAPPED WITH APPROVED EXTREME OR EQUAL.  
 6. PROVIDE 4" WALL CLEANOUT OFF WASH BRANCH SERVING WATER CLOSET.  
 7. PROVIDE HANDLE WITH COLOR CODED INDICATOR FOR HOT AND COLD WATER.

UNIT	MANUFACTURER	MODEL	EWT (F)	LWT (F)	MIN. ACTIVATION (GPM)	DELIVERY (GPM)	EFFICIENCY	ELEC DATA			NOTES
								KW	VOLT	AMPS	
WH-1	EEMAX	EX2401ZT	62	110	0.70	4.20	98.80%	24	208	67	1,2

NOTES:  
 1. PROVIDE APPROVED PRESSURE RELIEF VALVE AND EXPANSION TANK IF REQUIRED BY CODE.  
 2. PLUMBING CONTRACTOR TO ENSURE ALL FAUCETS DOWNSTREAM HAVE LARGER GPM RATE THAN "MIN. ACTIVATION (GPM)" COLUMN ABOVE.



Order Plans

6 5 4 3 2 1