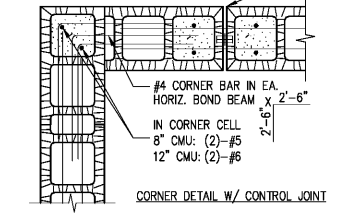
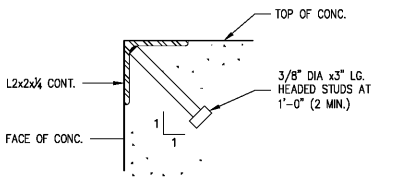


NOTE: WHERE CONTROL JOINT DOES NOT OCCUR AT CORNER:

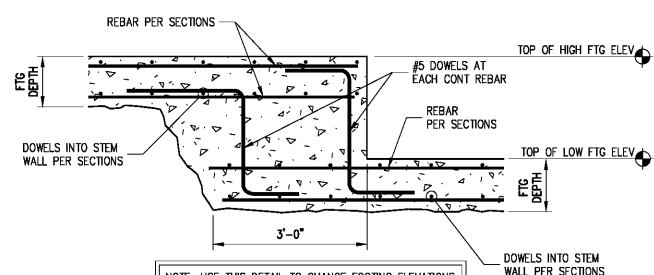
1. PROVIDE CORNER BARS TO MATCH AND LAP WITH BOND BEAM REINF OR PROVIDE 90° HOOK.
2. EXTEND HORIZ JOINT REINF TO END OF WALL IN BOTH DIRECTIONS SO THAT IT LAPS AT THE CORNER.
3. PROVIDE VERT WALL REINF IN THE CORNER CELL. 3 BARS FULL HT EA CORNER OF EXT/INT CMU DOWELS INTO FTG TO MATCH.



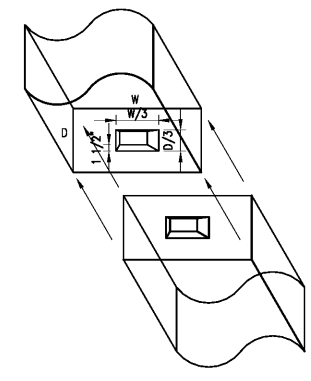
TYPICAL CMU CONTROL JOINT DETAIL  
SCALE: 3/4"=1'-0"



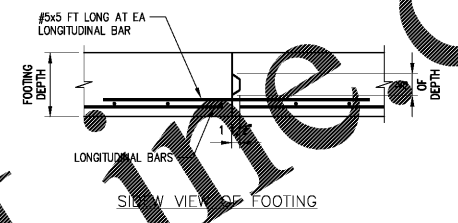
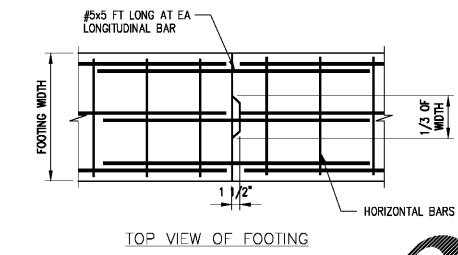
TYPICAL ANGLE AT LIFT PIT DETAIL  
SCALE: 3/4"=1'-0"



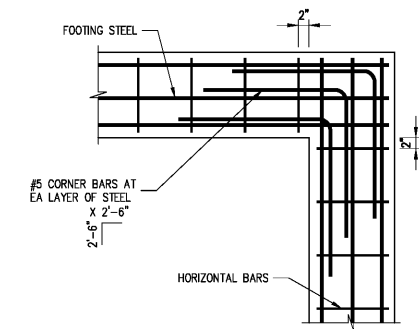
TYPICAL FOOTING STEP DETAIL  
SCALE: 3/4"=1'-0"



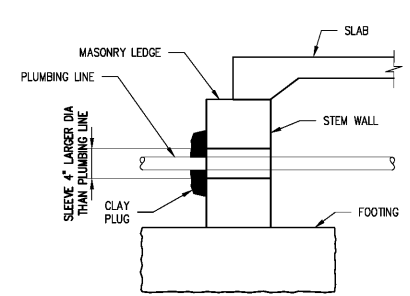
NOTE: FORM KEY WITH 2x LUMBER RIPPED 4 SIDES. OVERALL DIMENSION OF KEY SHALL BE 1/3 FOOTING DEPTH x 1/3 FOOTING WIDTH. THIS IS A MALE-FEMALE TYPE KEY.



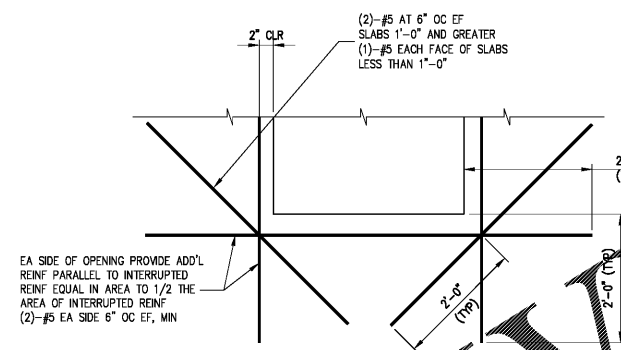
TYPICAL FOOTING CONSTRUCTION JOINT DETAIL  
SCALE: 3/4"=1'-0"



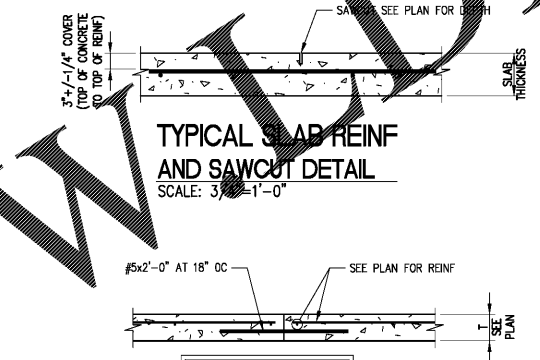
TYPICAL FOOTING CORNER BAR DETAIL  
SCALE: 3/4"=1'-0"



TYPICAL PLUMBING LINE PENETRATION DETAIL  
SCALE: 3/4"=1'-0"



TYPICAL REINFORCEMENT AT OPENINGS IN SLABS DETAIL  
SCALE: 3/4"=1'-0"



TYPICAL SLAB CONSTRUCTION JOINT DETAIL  
SCALE: 3/4"=1'-0"

Order Plans @

CONSULTANT:

**ROBERT NITISHIN, AIA**  
ARCHITECT

2265 ROSWELL ROAD  
SUITE 100  
MARIETTA, GEORGIA 30062  
770-509-4894 TELEPHONE  
770-509-4895 FACSIMILE

CLIENT:

**TBC CORPORATION**

430 TBC WAY  
PALM BEACH GARDENS  
FLORIDA 33410

PROJECT INFORMATION:

**MTFB**  
TYPE & SERVICE CENTERS  
GREER, SOUTH CAROLINA

SEAL:

CHAD S. McDONALD, PE  
2550 Sandy Plains Rd, Suite 225 PMB 103  
Marietta, GA 30066 PHONE: (404) 556-5923  
EMAIL: vrt@aggr-engineering.com

PROJECT NO.: 20180011  
DRAWN BY:  
CHECKED BY:

ISSUE:	DATE:
ISSUED FOR PERMIT	10/10/2018
REVISION:	DATE:

SHEET TITLE:  
FOUNDATION SECTIONS AND DETAILS

SHEET NUMBER:  
**S3.2**