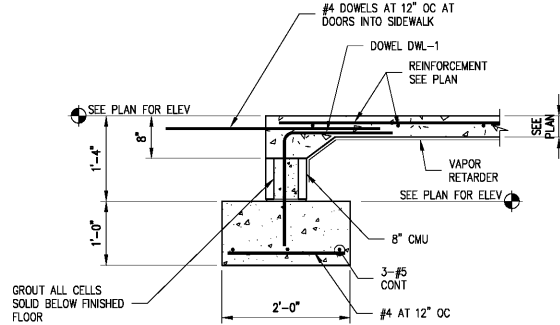
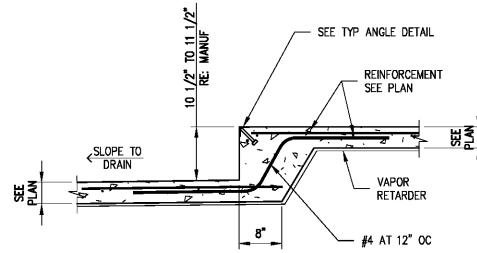


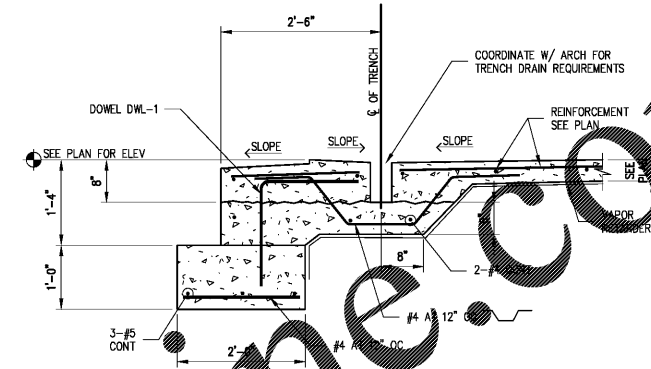
**01 SECTION**  
S3.1 SCALE: 3/4"=1'-0"



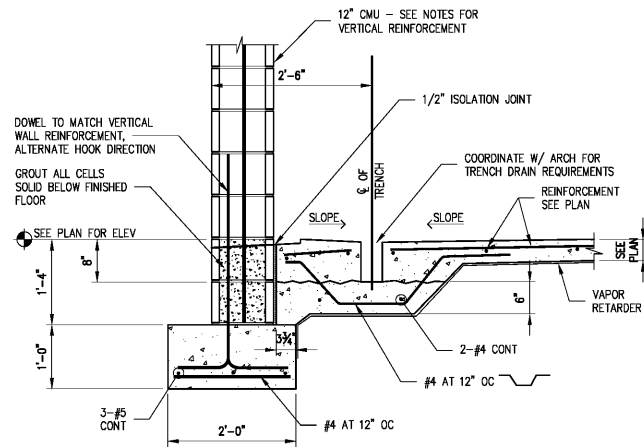
**02 SECTION**  
S3.1 SCALE: 3/4"=1'-0"



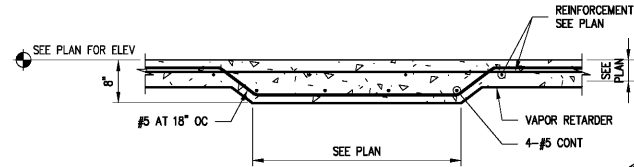
**03 SECTION**  
S3.1 SCALE: 3/4"=1'-0"



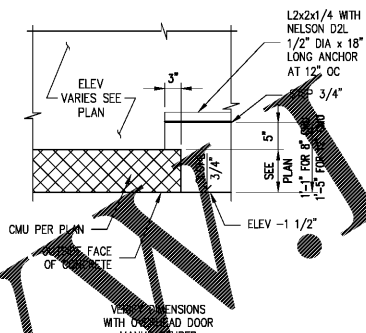
**04 SECTION**  
S3.1 SCALE: 3/4"=1'-0"



**05 SECTION**  
S3.1 SCALE: 3/4"=1'-0"



**06 SECTION**  
S3.1 SCALE: 3/4"=1'-0"



**07 PLAN DETAIL**  
S3.1 SCALE: 3/4"=1'-0"

MIN 7 1/2" THICK CONC. SLAB PER A.C. ESR-2777 REGARDING SLAB REQUIREMENTS WHEN DESIGN FOR USE WITH ANKR-TITE FASTENERS

Order Plans @

WWW.LDILLINE.COM

CONSULTANT:  
**ROBERT NITISHIN, AIA**  
ARCHITECT  
2265 ROSWELL ROAD  
SUITE 100  
MARIETTA, GEORGIA 30062  
770-509-4894 TELEPHONE  
770-509-4895 FACSIMILE

CLIENT:  
**TBC CORPORATION**  
430 TBC WAY  
PALM BEACH GARDENS  
FLORIDA 33410

PROJECT INFORMATION:  
**NTPB**  
TYPE & SERVICE CENTERS  
GREER, SOUTH CAROLINA

SEAL:  
  
CHAD S. McDONALD, PE  
2550 Sandy Plains Rd, Suite 225 PMB 103  
Marietta, GA 30066 PHONE: (404) 556-5923  
EMAIL: chad@ldilline.com

PROJECT NO.: 20180011  
DRAWN BY:  
CHECKED BY:  
ISSUE: DATE:  
ISSUED FOR PERMIT: 10/10/2018  
REVISION: DATE:  
SHEET TITLE:  
FOUNDATION SECTIONS & DETAILS  
SHEET NUMBER:  
**S3.1**