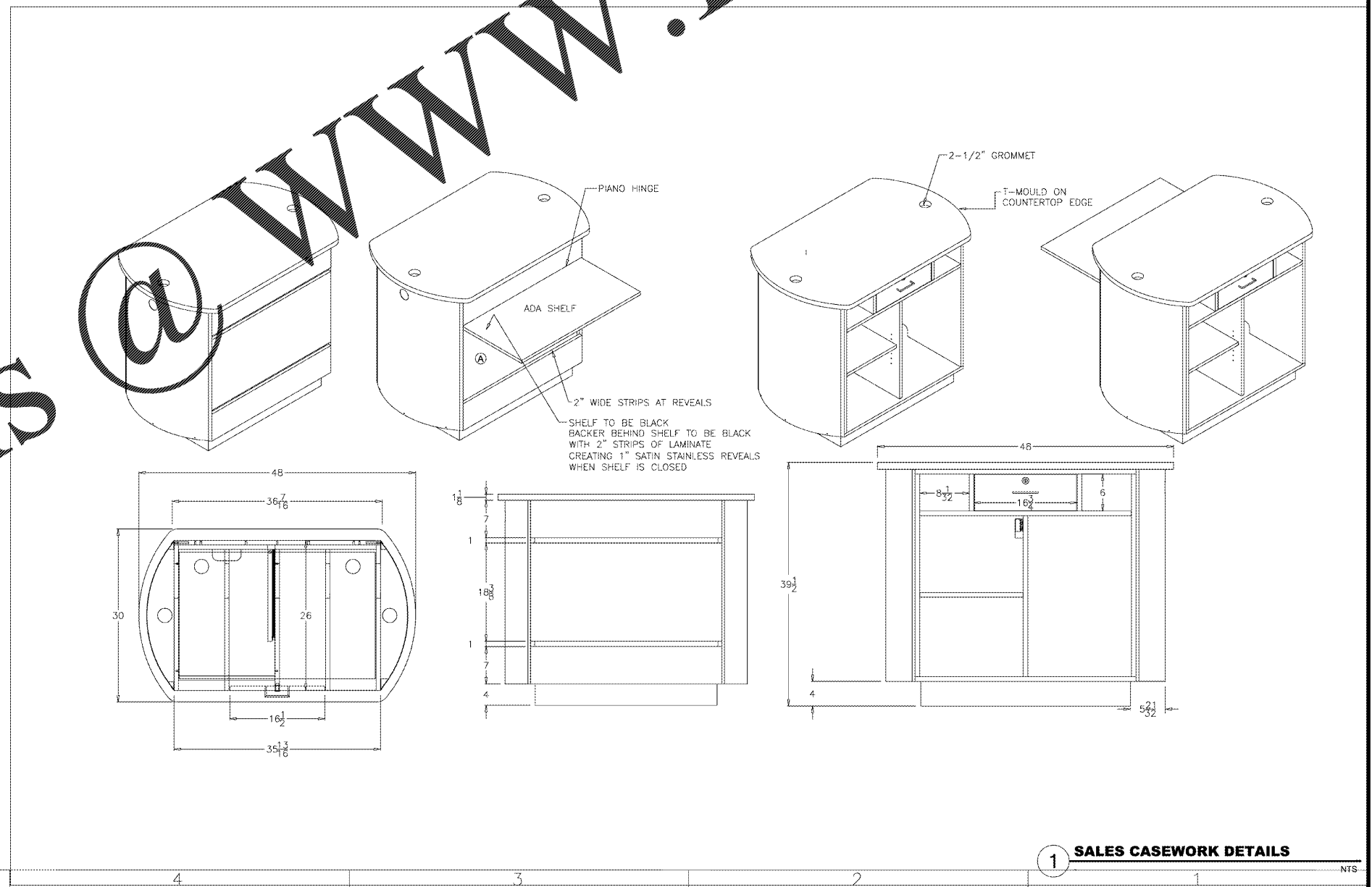
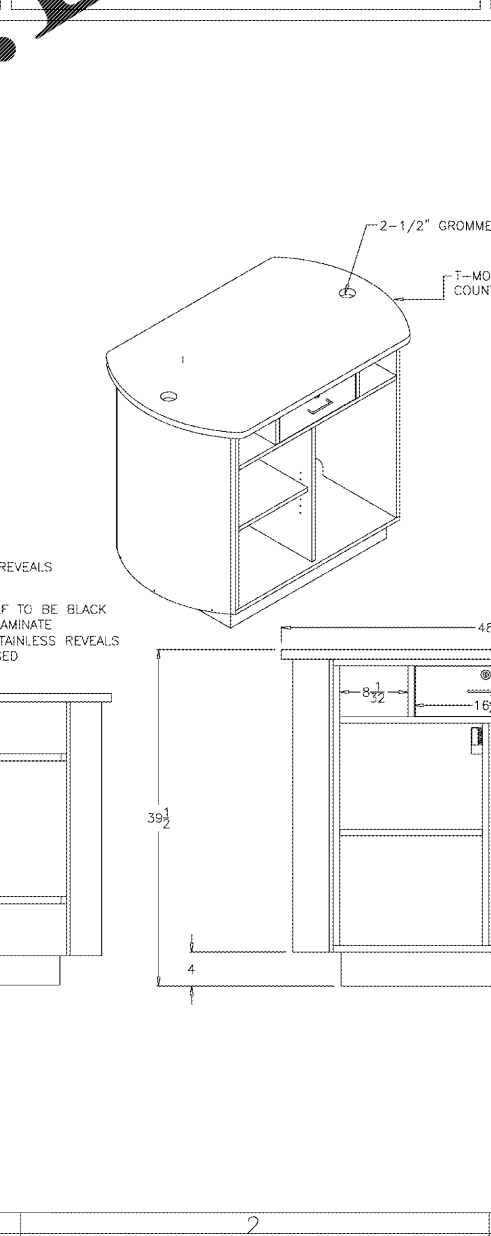
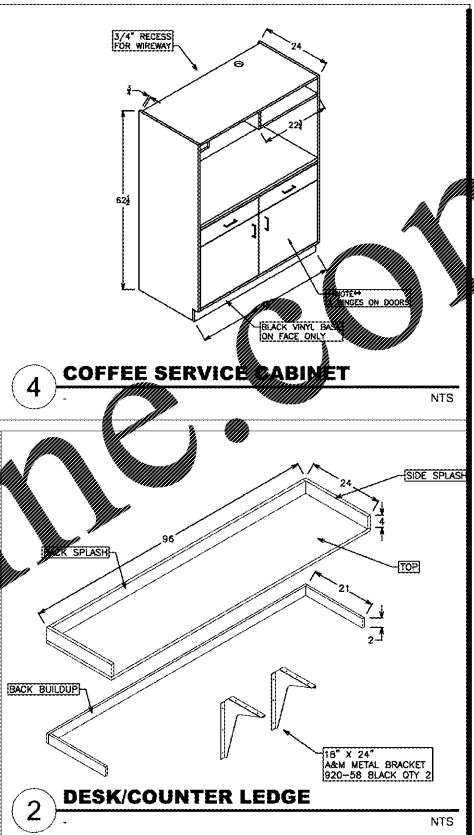
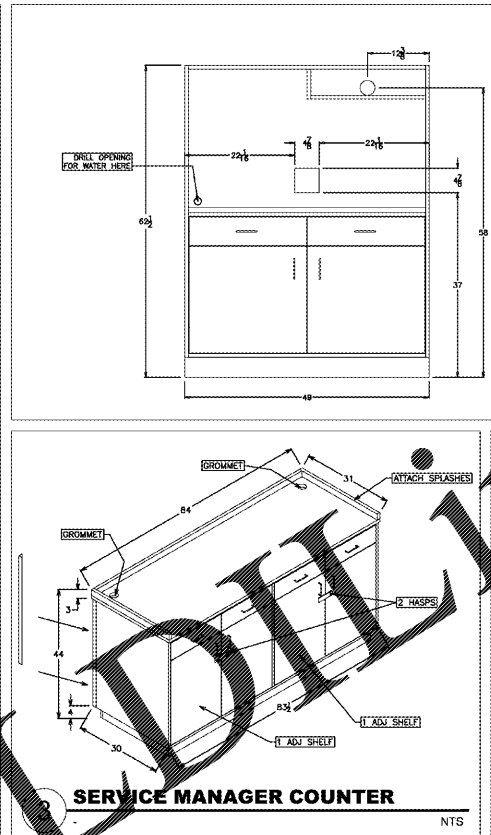
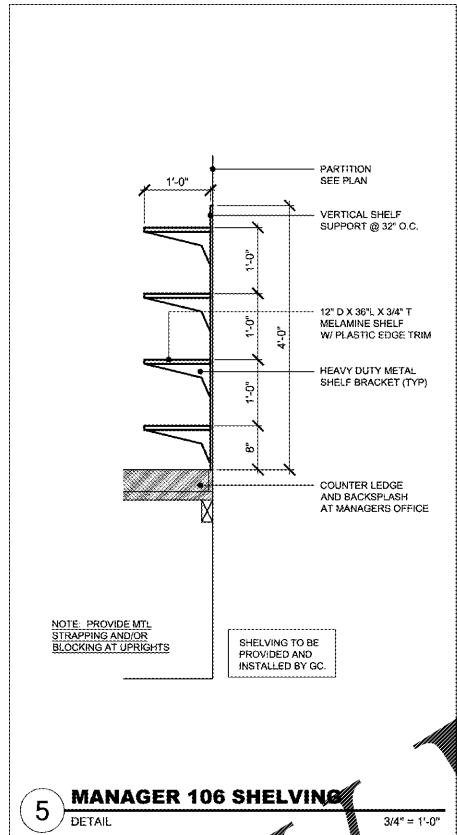
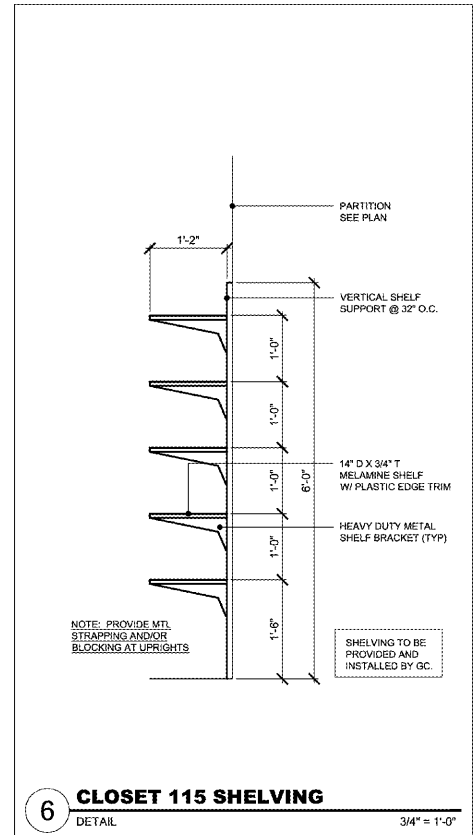


Order Plans



CONSULTANT:
ROBERT P. NITISHIN, AIA
 ARCHITECT
 2265 ROSWELL ROAD
 SUITE 100
 MARIETTA, GEORGIA 30062
 770-509-4894 TELEPHONE
 770-509-2207 FACSIMILE

CLIENT:
TBC CORPORATION
 430 TBC WAY
 PALM BEACH GARDENS
 FLORIDA 33410

PROJECT INFORMATION:

NITISHIN
 TYPE & SERVICE CENTERS
 GREER, SOUTH CAROLINA

SEAL:

PROJECT NO. 20180011
 DRAWN BY:
 CHECKED BY:
 ISSUE: DATE:
 ISSUED FOR PERMIT 10/10/2018
 REVISION: DATE:

SHEET TITLE:
FF&E DETAILS CABINETS

SHEET NUMBER:
A9.1