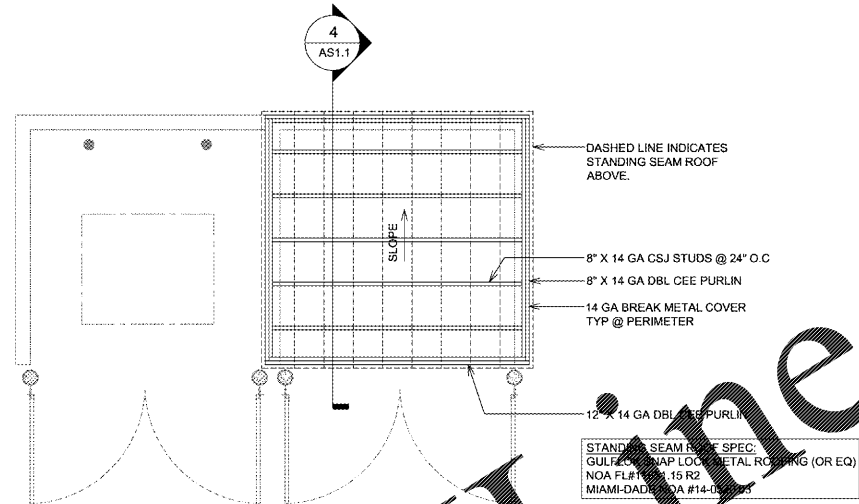
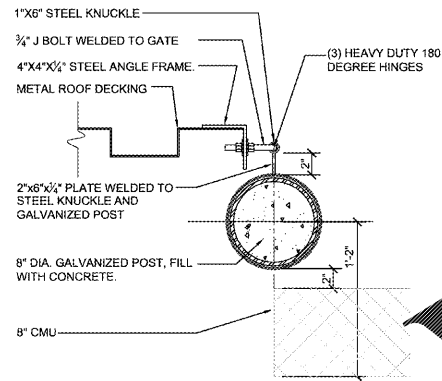


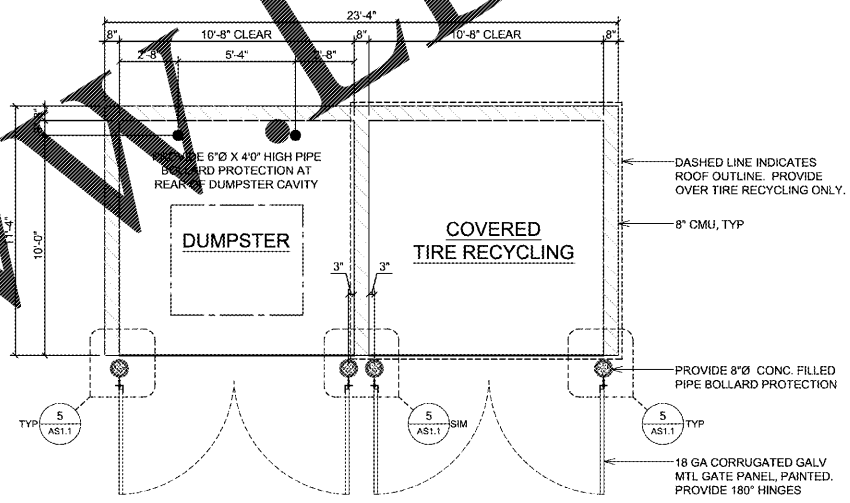
6 TYPICAL BOLLARD DETAIL
1/4" = 1'-0"



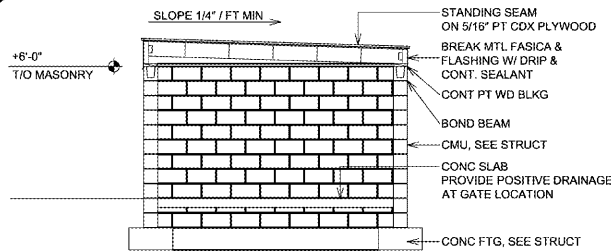
4 DUMPSTER ENCLOSURE ROOF FRAMING PLAN
1/4" = 1'-0"



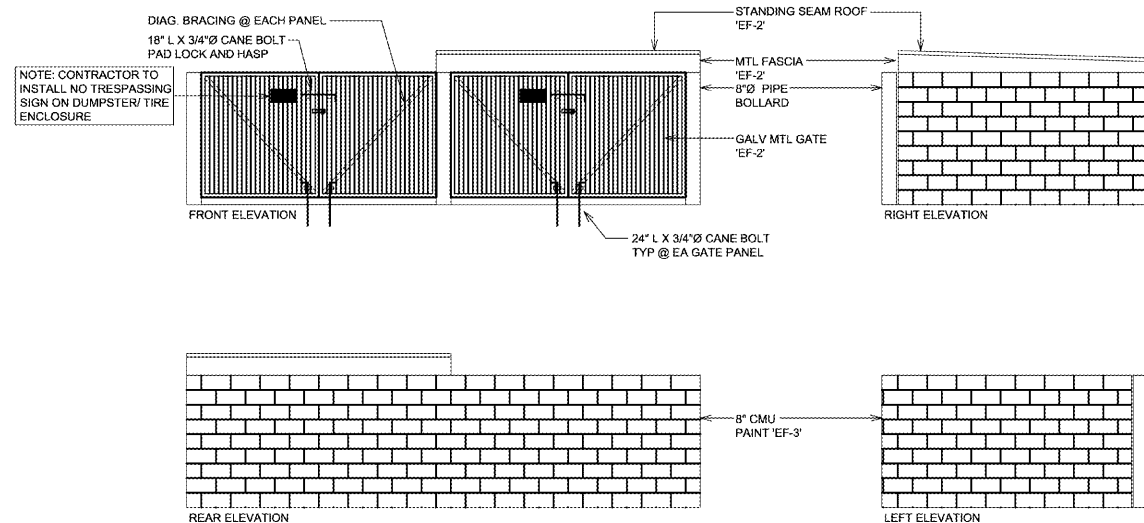
5 GATE ENCLOSURE JAMB DETAIL
1/4" = 1'-0"



2 DUMPSTER ENCLOSURE FLOOR PLAN
1/4" = 1'-0"



4 DUMPSTER ENCLOSURE CROSS-SECTION
1/4" = 1'-0"



1 DUMPSTER ENCLOSURE FRONT ELEVATION
1/4" = 1'-0"

CONSULTANT:
ROBERT C. NITISHIN, AIA
ARCHITECT
2265 ROSWELL ROAD
SUITE 100
MARIETTA, GEORGIA 30062
770-509-4894 TELEPHONE
770-509-2207 FACSIMILE

CLIENT:
TBC CORPORATION
430 TBC WAY
PALM BEACH GARDENS
FLORIDA 33410

PROJECT INFORMATION:

NTFB
TYPE & SERVICE CENTERS
GREER, SOUTH CAROLINA

SEAL:
STATE OF SOUTH CAROLINA
ROBERT C. NITISHIN
MARIETTA, GA
8162
REGISTERED ARCHITECT

PROJECT NO. 20180011
DRAWN BY:
CHECKED BY:
ISSUE: DATE:
ISSUED FOR PERMIT 10/10/2018
REVISION: DATE:

SHEET TITLE:
SITE DETAILS
SHEET NUMBER:
AS1.1

Order Plans @

WWW.DIYLINE.COM