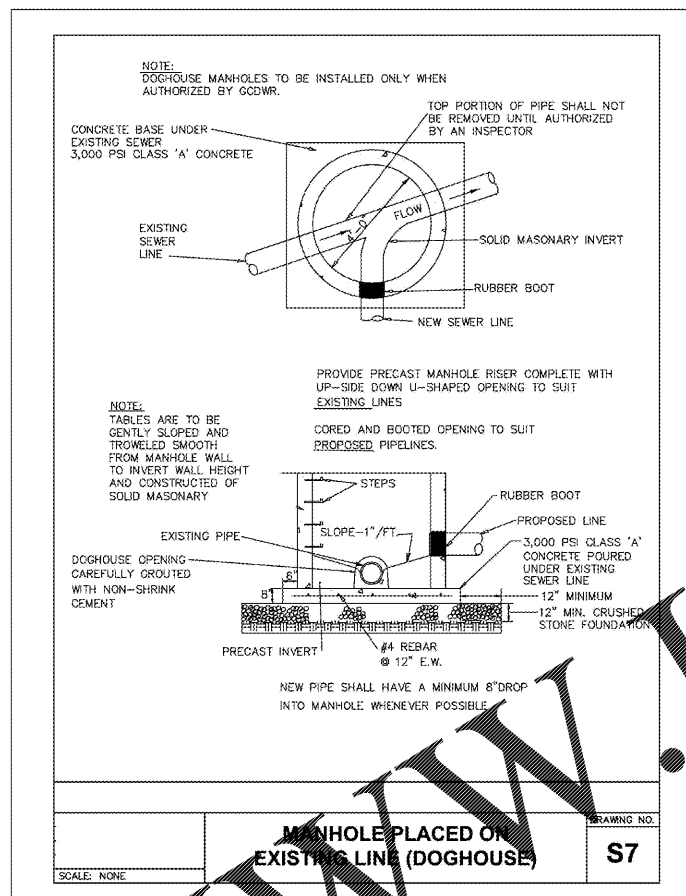
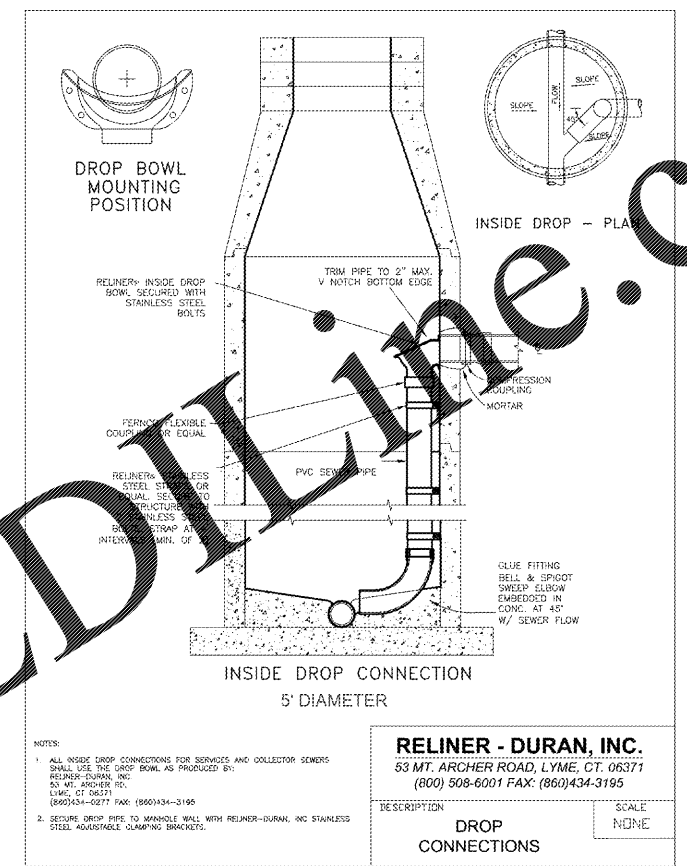


Order Plans @

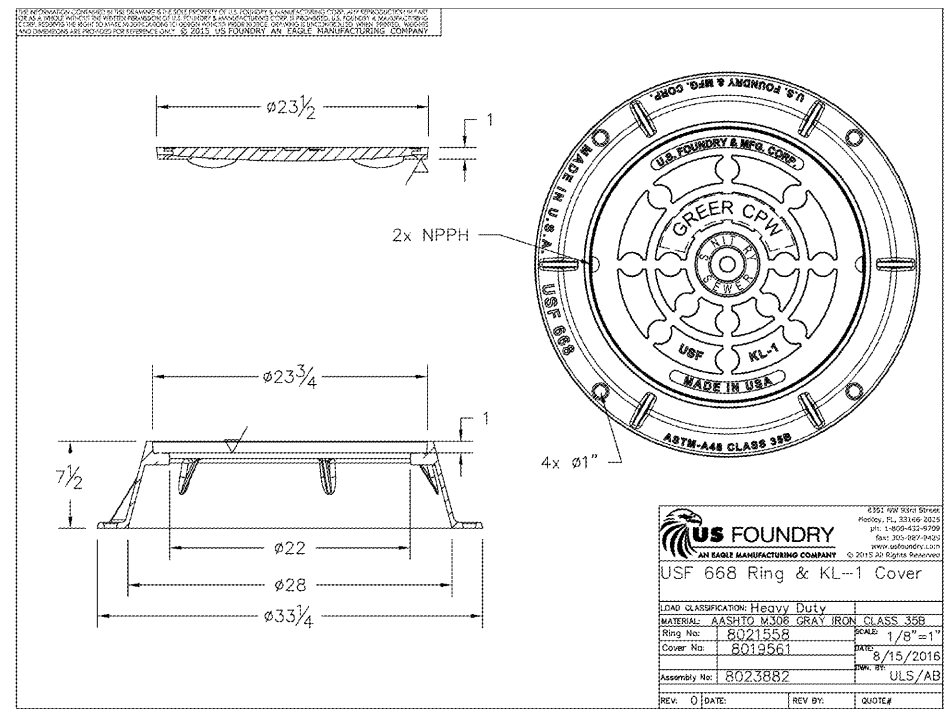
WWW.LDIDLINE.COM



C-3.3 MANHOLE PLACED ON EXISTING LINE (DOGHOUSE)
NOT TO SCALE



C-3.3 5' DIAMETER MH WITH INSIDE DROP CONNECTION
NOT TO SCALE



C-3.3 GCPW MANHOLE RING AND COVER
NOT TO SCALE

ENGINEER
FORNITE GROUP
Forenite Group, Inc.
3750 Peachtree Industrial Blvd., Suite 300
Peachtree City, GA 30092
www.fg-inc.net
770.368.1399
770.368.1944

NTB
TIRES • SERVICE • BRAKES • BATTERIES
107-111 BRANNON DRIVE
GREER, SC 29661
PARCEL # TO15000300300 & TO15000300301

SEAL:
SOUTH CAROLINA
REGISTERED PROFESSIONAL ENGINEER
No. 34332
11/5/18
Quett C. Baugie

REVISIONS	DATE
JURISDICTIONAL COMMENTS	2018-11-02
JURISDICTIONAL COMMENTS	2018-11-09
JURISDICTIONAL COMMENTS	2018-11-14
JURISDICTIONAL COMMENTS	2018-11-19
JURISDICTIONAL COMMENTS	2018-11-28

PROJECT MANAGER: JMJ
DRAWING BY: JAM
JURISDICTION: GREER, SC
DATE: 2018-09-21
SCALE: AS SHOWN
TITLE:

SANITARY SEWER DETAILS
SHEET NUMBER: C-3.3
COMMENTS: PERMIT SET
JOB/FILE NUMBER: 814.026

