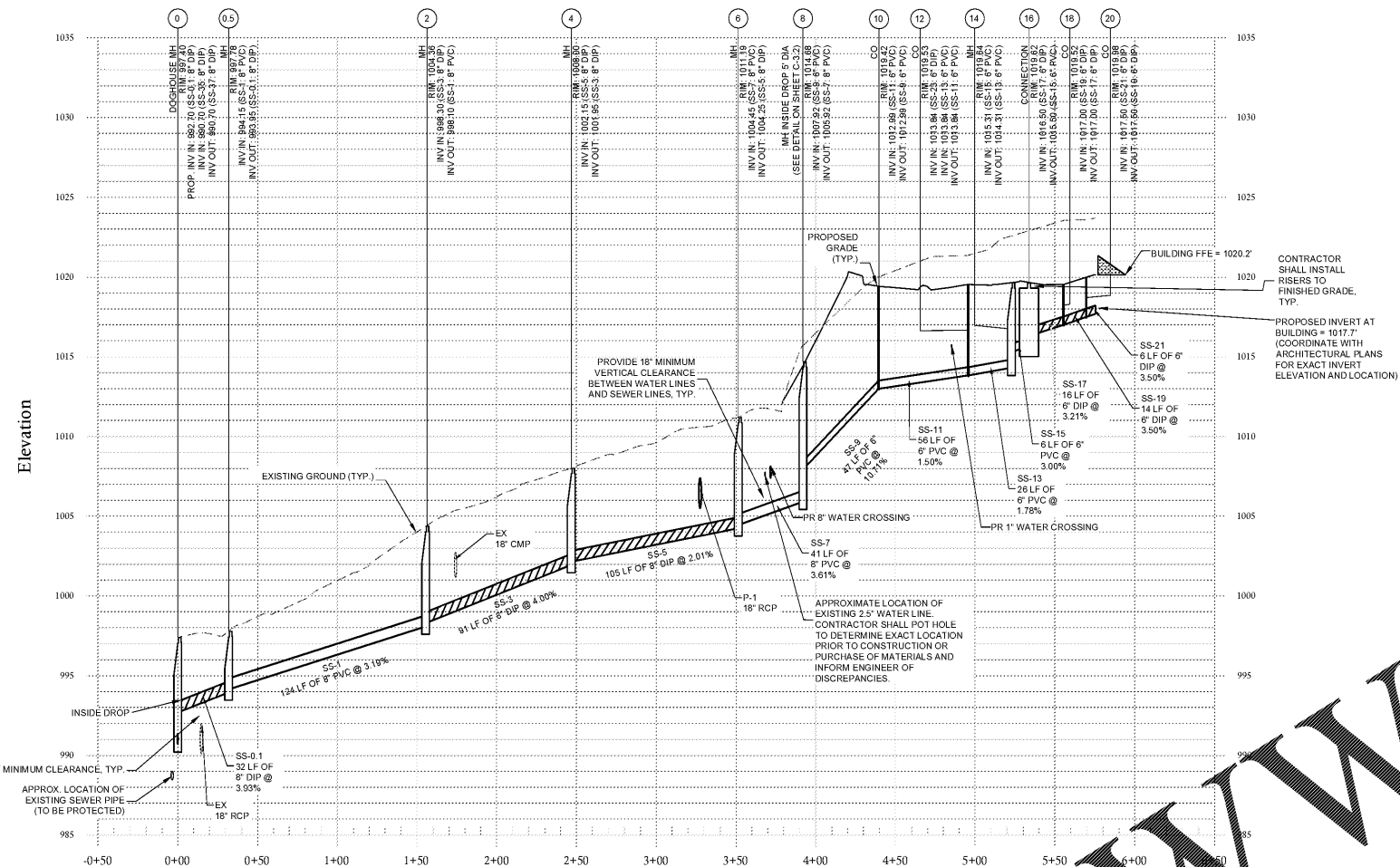


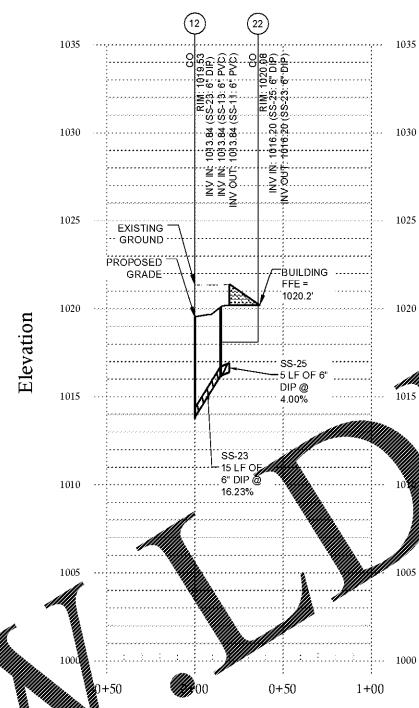
SANITARY STREET EXTENSION TO SITE & CONNECTION TO BAYS

1" = 50' H, 1" = 5' V



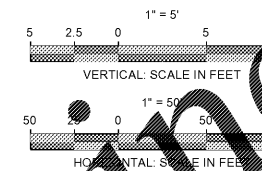
SANITARY BUILDING CONNECTION

1" = 50' H, 1" = 5' V

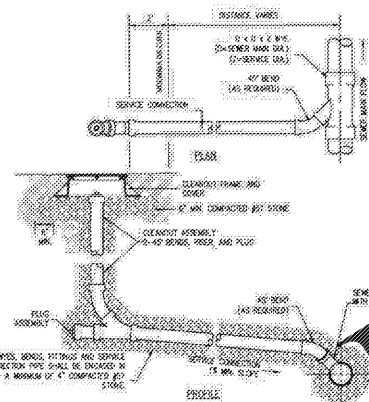


GENERAL NOTES:

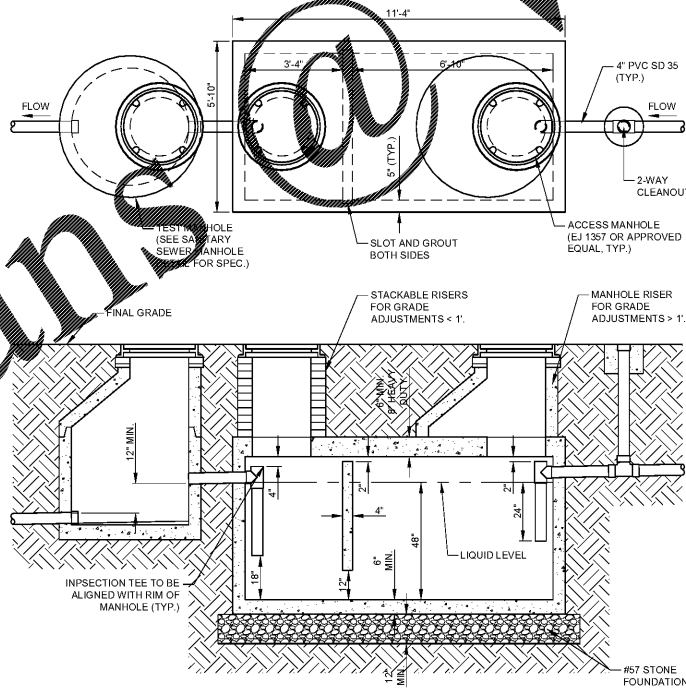
- PIPE LENGTHS REFLECT THE PIPES LINEAR LENGTH AND ARE SHOWN FROM CENTER OF STRUCTURE TO CENTER OF STRUCTURE.
- EXISTING UTILITY DEPTHS ARE APPROXIMATED BASED ON 4 FT COVER FROM THE EXISTING GROUND SURFACE. PROPOSED UTILITY DEPTHS ARE BASED ON 4 FT OF COVER FROM THE PROPOSED GROUND SURFACE. CONTRACTOR SHALL FIELD VERIFY ALL UTILITY DEPTHS AT CROSSING AND CONTACT ENGINEER IMMEDIATELY IF CONFLICTS ARE ENCOUNTERED.
- CONTRACTOR TO FIELD VERIFY EXISTING ELEVATIONS OF UTILITIES IN RIGHT OF WAY TO AVOID CONFLICTS. CONTACT ENGINEER IMMEDIATELY IF FIELD ELEVATIONS DIFFER FROM THE DESIGN DRAWINGS.
- MAINTAIN MINIMUM 2" OF COVER OVER METAL AND PLASTIC PIPES DURING CONSTRUCTION ACTIVITIES.



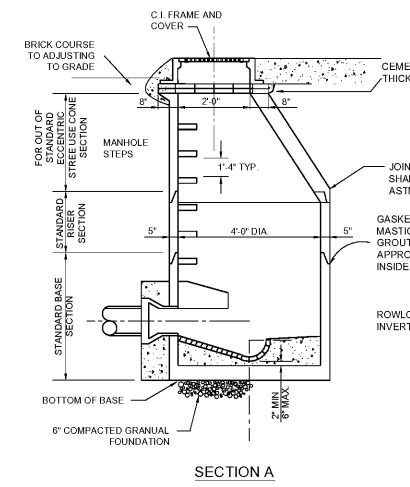
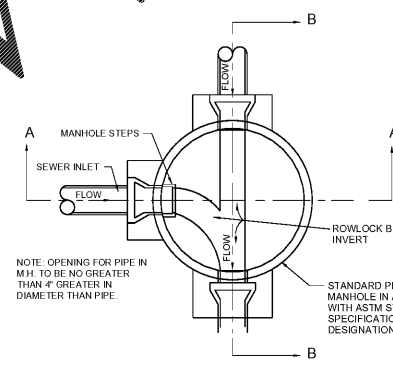
SANITARY SEWER CLEANOUT DETAIL



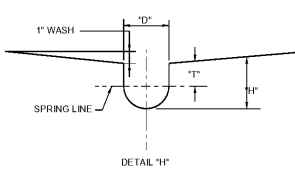
- NOTE**
- When the building sewer is extended from the stub out to the building, the building sewer and its appurtenances shall be permitted through and inspected by the City of Greer Public Works Division (864.848.2175).
 - The minimum diameter of the service connection shall be at least four (4) inch diameter for single family residential and minimum six (6) inch diameter for commercial development.
 - Minimum slope of the sewer shall be 1.00%.
 - The service connection shall be installed in a trench of the same depth as the gravity sewer line.
 - Service connections shall be installed using (1) bell end fittings. The line branch and the main shall have the same inside diameter as the gravity sewer line.
 - The pipe fitting shall be installed in a trench 2' deep and 2' wide, positioned above the gravity sewer line pipe circumference.
 - No bends greater than 45° shall be used in service connections.
 - Service connections shall have a restriction point or manhole, measured from the nearest edge of the pipe fitting.
 - Cleanouts shall be provided along the sewer line to provide an individual, separate and direct connection from the main sewer line to the ground surface. Connections shall not cross adjacent lot property lines.
 - Cleanouts shall be installed at final grade and placed 2 feet behind the curb or sidewalk and within 10 feet from the edge of the side property line. Cleanout frame and cover shall be located outside the driveway. The cleanout frame and cover shall be Greerville 1107 Valve Box with Sewer Lid. A water meter will not be set if the cleanout frame and cover are not installed.
 - If a sewer tap needs to be made, tapping saddle shall be Romac Industries Type CB Sewer Saddle. Hammer taps are prohibited. If a tap shall be used, New sewer tap and cleanout shall be installed by GCPW.
 - Service connections shall be plugged to prevent infiltration and exfiltration of the line.
 - Service connections shall not be connected to a newly constructed gravity sewer line until a permit to operate has been issued by SC DHEC. Contact GCPW's Engineering and Planning Department (864.848.5500) with any questions.



- NOTES:**
- MUST MEET ASTM C 1613 STANDARD SPECIFICATIONS FOR PRECAST CONCRETE GREASE INTERCEPTOR TANKS.
 - GRADE ADJUSTMENTS GREATER THAN ONE (1) FOOT REQUIRE FOUR FOOT DIAMETER MANHOLE RISERS.
 - GRADE RISERS SHALL BE STACKABLE AND WATER TIGHT.
 - PIPES AND FITTINGS INSIDE TANK SHALL BE SOLVENT WELD SCH. 40. ALL OTHERS SHALL BE GASKET SDR 35.
 - GREASE TRAPS LOCATED WITHIN VEHICULAR ACCESS AREAS SHALL BE DESIGNED AND CONSTRUCTED FOR H-20 LOADING.

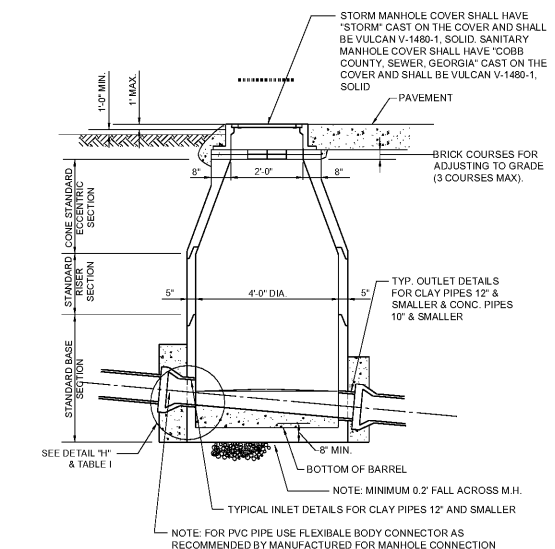


- FRAME AND COVER INSTALLATION NOTES**
- COVER TO BE SET FLUSH WITH PAVEMENT AND SHALL MATCH SLOPE OF STREET.
 - ADJUSTMENT OF FRAME AND COVER TO GRADE SHALL BE ACCOMPLISHED WITH A BRICK PRECAST CONCRETE EXCEEDS 12-INCHES LEVELING RINGS (ON RING MAX.) OR HEADER COURSE BRICK. IN NO CASE SHALL VERTICAL ADJUSTMENT EXCEED 1/2" PER COURSE.
 - INSIDE SURFACE OF LEVELING COURSE SHALL BE COATED WITH CEMENT PLASTER (1-1/2" MIN. THICKNESS).
 - FRAME SHALL BE IN CEMENT MORTAR BED (1-1/2" THICKNESS).



NOTE: "H" & "T" DIMENSIONS APPLY ONLY AT THE UPSTREAM, INSIDE EDGE OF M.H.

TABLE I		
"D"	"T"	"H"
INSIDE DIA PIPE	VERTICAL TANGENT	HEIGHT OF WATER TABLE
8"	2-1/2"	6-1/2"
10"	3"	8"
12"	3-1/2"	9-1/2"
15"	4-1/2"	12"
18"	5-1/2"	14-1/2"
21"	6-1/2"	17"
24"	7-1/2"	19-1/2"
27"	8-1/2"	21-1/2"
30"	9"	24"
33"	10"	26-1/2"
36"	11"	29"



- SECTION B**
- NOTE: MINIMUM 0.2% FALL ACROSS M.H.
- NOTE: FOR PVC PIPE USE FLEXIBLE BODY CONNECTOR AS RECOMMENDED BY MANUFACTURER FOR MANHOLE CONNECTION

ENGINEER

FORENTE GROUP

www.fg-inc.net
770.368.1399
375 Peachtree Corporate Center, Suite 2000
Peachtree City, GA 30092

NTB

TIRES • SERVICE • BRAKES • BATTERIES

107-111 BRANNON DRIVE
GREER, SC 29661

PARCEL # TO15000300300 & TO15000300301.

SEAL:

SOUTH CAROLINA PROFESSIONAL ENGINEER

No. 34332

C. BRANNON

11/5/18

REVISIONS	DATE
JURISDICTIONAL COMMENTS	2018-11-02
JURISDICTIONAL COMMENTS	2018-11-09
JURISDICTIONAL COMMENTS	2018-11-14
JURISDICTIONAL COMMENTS	2018-11-19
JURISDICTIONAL COMMENTS	2018-11-28

PROJECT MANAGER: JMJ

DRAWING BY: JAM

JURISDICTION: GREER, SC

DATE: 2018-09-21

SCALE: AS SHOWN

TITLE:

SANITARY SEWER PROFILES

SHEET NUMBER: **C-3.2**

COMMENTS: PERMIT SET

JOB/FILE NUMBER: 814.026

