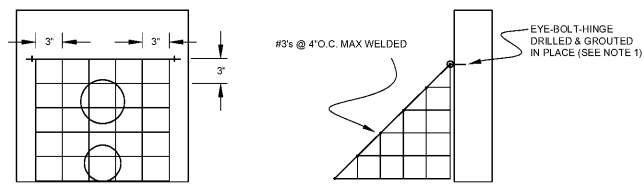


**NOTE**

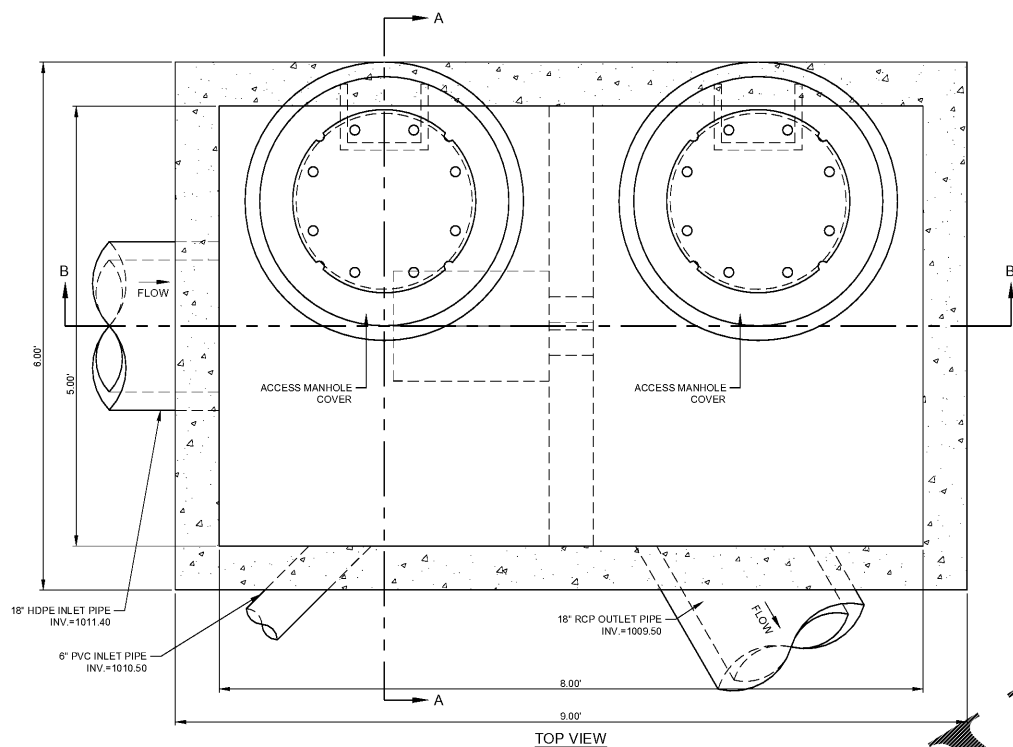
CONTRACTOR SHALL PROVIDE AS-BUILT SURVEY INFORMATION OF THE CHAMBER SYSTEM AND CONTROL STRUCTURE TO THE ENGINEER 4 WEEKS PRIOR TO REQUESTING FINAL ACCEPTANCE. AS-BUILT INFORMATION SHOULD INCLUDE ALL RM, INVERT, ORIFICE, WEIR, AND BOX DIMENSIONS FOR THE CONTROL STRUCTURES ALONG WITH AS-BUILT INFORMATION ON THE UNDERGROUND CHAMBER SYSTEM. THE AS-BUILT OF THE CHAMBER SYSTEM SHOULD INCLUDE THE LOCATION, SIZE, NUMBER OF CHAMBERS, AND THE FOLLOWING ELEVATIONS: BOTTOM OF UNDERDRAIN, BOTTOM OF STONE, BOTTOM OF CHAMBER, TOP OF CHAMBER, TOP OF STONE, AND FINISHED GRADE OF THE PAVEMENT ABOVE THE CHAMBERS. THE AS-BUILT SURVEY INFORMATION SHOULD ALSO INCLUDE THE AS-BUILT INFORMATION FOR THE DISCHARGE PIPE FROM THE OUTLET CONTROL STRUCTURE TO WHERE IT DISCHARGES INTO THE RIGHT-OF-WAY OR ON GRADE. ONE REVIEW OF THE AS-BUILT SYSTEM AND STORM MODELING IS COVERED BY THE OWNER. ADDITIONAL ENGINEERING COSTS FOR AS-BUILT AND STORM MODELING OF THE DETENTION SYSTEM WILL BE THE RESPONSIBILITY OF THE CONTRACTOR.

OUTLET CONTROL STRUCTURE IS TO BE DESIGN/BUILT TO WITHSTAND HS-20 LOADINGS. CONTRACTOR SHALL SUBMIT SHOP DRAWINGS TO ENGINEER FOR REVIEW PRIOR TO FINAL ORDER AND MANUFACTURE OF STRUCTURE.

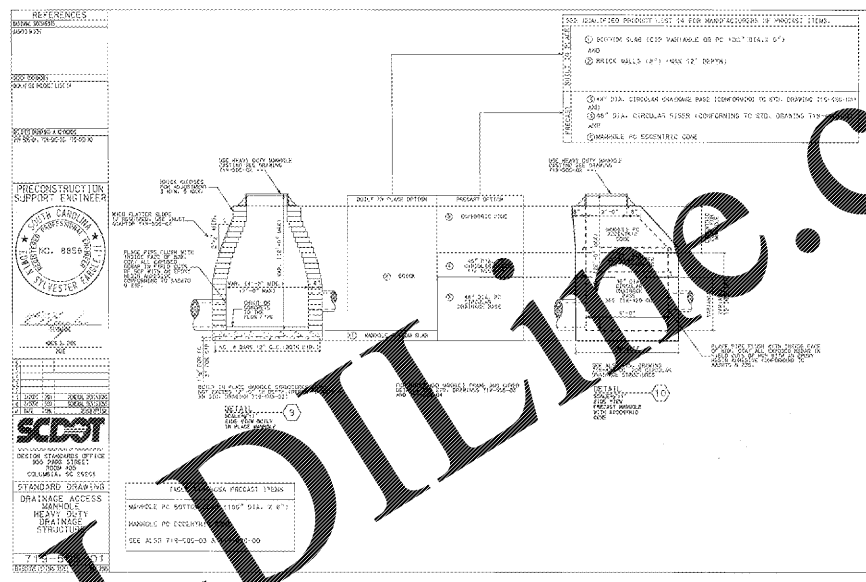


NOTES:  
1. 3/4" ANCHORED BOLTS (EMBEDDED 3")

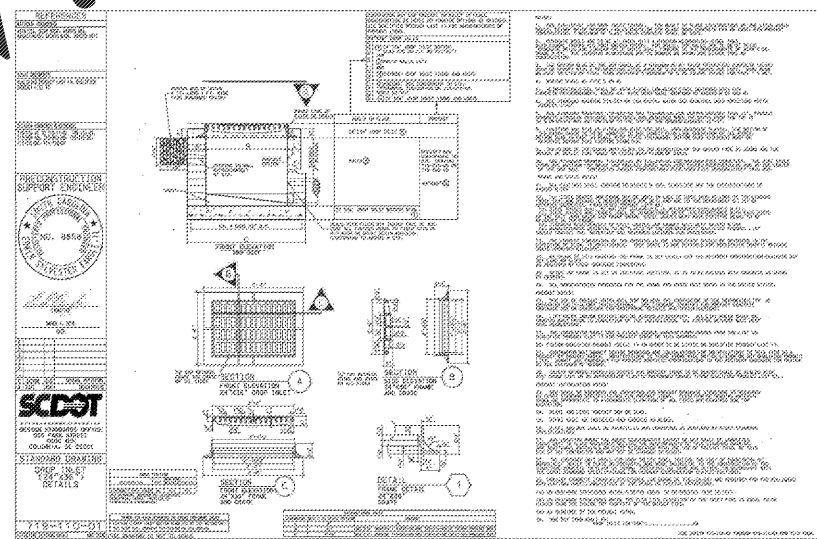
TRASH RACK @ O.C.S.  
NOT TO SCALE



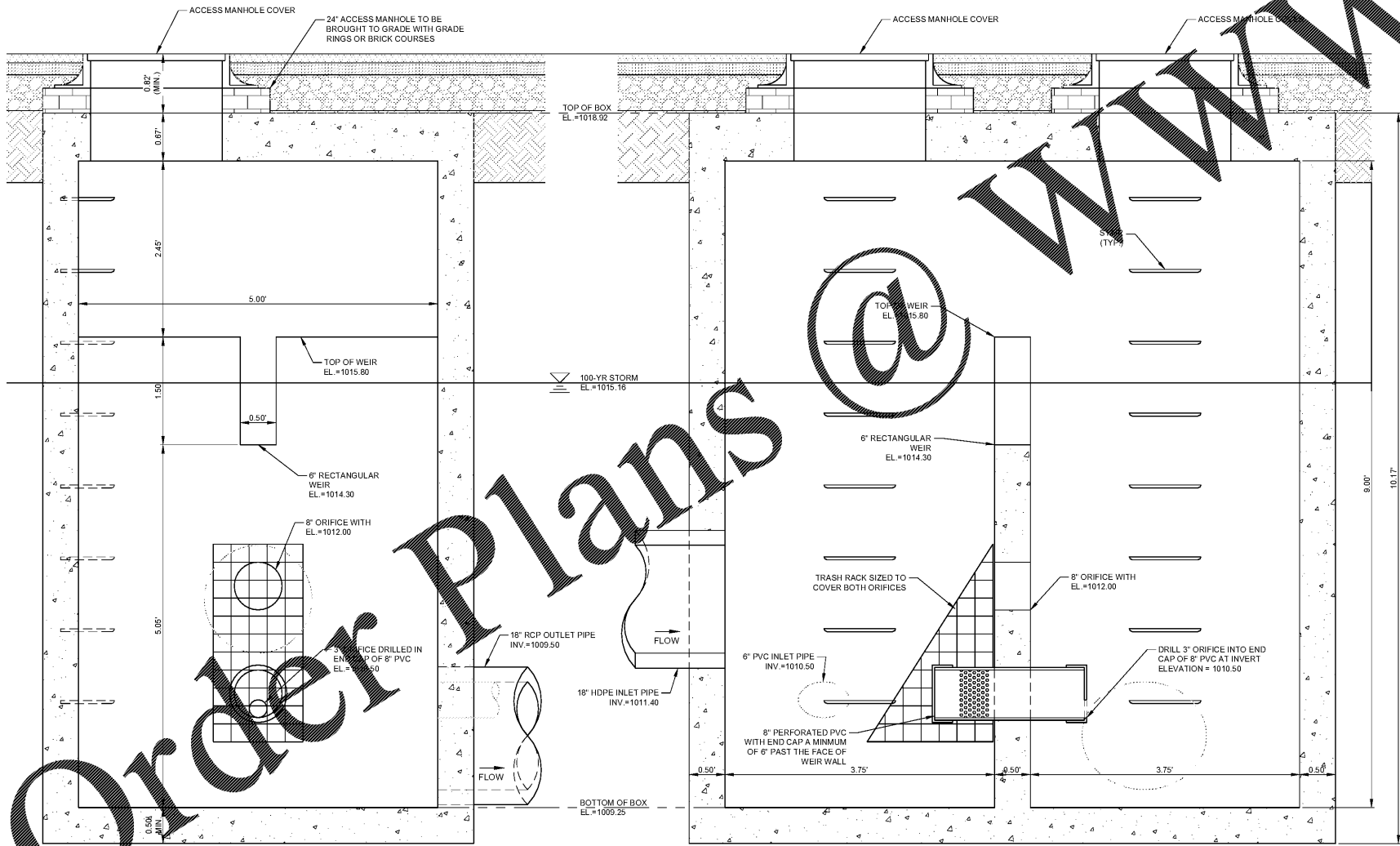
TOP VIEW



C-2.5 SCDOT 719-505-01 MANHOLE DETAIL  
NOT TO SCALE



C-2.5 SCDOT 719-110-01 24" X 36" GRATE DETAIL  
NOT TO SCALE



FRONT VIEW SECTION A-A

SIDE VIEW SECTION B-B

C-2.5 OUTLET CONTROL STRUCTURE  
SCALE: 1" = 1'

ENGINEER  
**FORENTE GROUP**  
www.fg-inc.net  
3700 Peachtree Industrial Blvd., Suite 300  
Peachtree City, GA 30092  
770.368.1399  
770.368.1944

PROJECT: **NTB**  
TIRES • SERVICE • BRAKES • BATTERIES  
107-111 BRANNON DRIVE  
GREER, SC 29651  
PARCEL # TO15000300300 & TO15000300301

SEAL:  
SOUTH CAROLINA PROFESSIONAL ENGINEER  
No. 34332  
C. BRANNON  
11/5/18  
*Quett C. Brannon*

REVISIONS	DATE
JURISDICTIONAL COMMENTS	2018-11-02
JURISDICTIONAL COMMENTS	2018-11-09
JURISDICTIONAL COMMENTS	2018-11-14
JURISDICTIONAL COMMENTS	2018-11-19
JURISDICTIONAL COMMENTS	2018-11-28

PROJECT MANAGER: JMJ  
DRAWING BY: JAM  
JURISDICTION: GREER, SC  
DATE: 2018-09-21  
SCALE: AS SHOWN  
TITLE:

STORM DRAINAGE DETAILS  
SHEET NUMBER: **C-2.5**  
COMMENTS: PERMIT SET  
JOB/FILE NUMBER: 814.026

