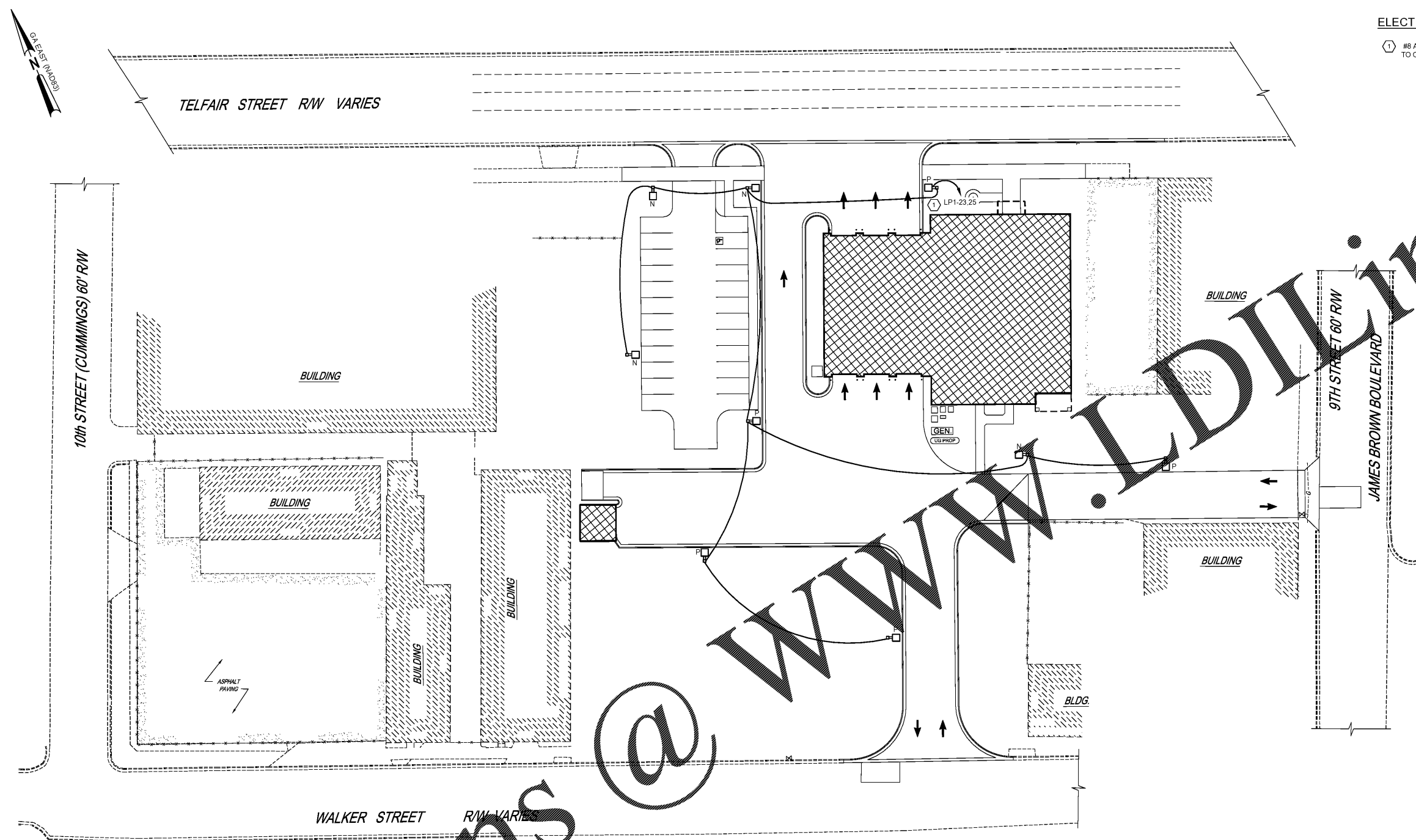
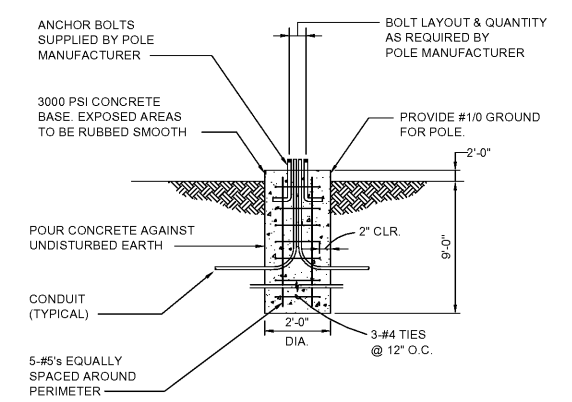


ELECTRICAL SITE PLAN KEYED NOTES:

① #8 AWG ENTIRE CIRCUIT. PROVIDE PHOTOCELL AND TIME CLOCK TO CONTROL THIS CIRCUIT.



① ELECTRICAL SITE PLAN
E-100
SCALE: 1" = 30'



② POLE BASE - METAL POLE DETAIL
E-100
NO SCALE

UTILITIES PROTECTION CENTER
GEORGIA811
www.Georgia811.com
Know what's below. Call before you dig.
THREE WORKING DAYS BEFORE YOU DIG
(GEORGIA - 1-800-282-7411)

JL
1980
Architects Engineers Planners Architects
JOHNSON, LASCHNER & ASSOCIATES, P.C.
1001 W. GA. • MT. PLEASANT, SC
TEL: (706) 724-5756 • TEL: (843) 619-4656
FAX: (706) 724-3935
WWW.THEJLAGROUP.COM

CLIENT: AUGUSTA, GA
535 TELFAIR STREET, AUGUSTA, GA 30601

PROJECT NAME: **FIRE STATION #2**

PROJECT LOCATION: 928 TELFAIR ST., AUGUSTA, GA 30601



REV	DATE	BY	DESCRIPTION
0	08/29/18	FAK	ISSUED FOR PERMITTING

PROJECT NO. 3042.1604
DRAWN BY: JFP
CHECKED BY: FAK
DATE: 10/18/17

ELECTRICAL SITE PLAN

SCALE: 1" = 30'
DRAWING NO. **E-100**
REV. 0

Order Plans