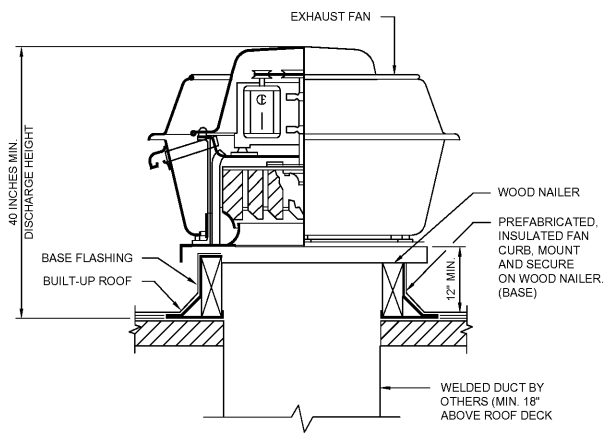


1
DETAIL - KITCHEN HOOD
 NO SCALE



2
ROOF MOUNTED KITCHEN EXHAUST FAN DETAIL
 NO SCALE

CLIENT: AUGUSTA, GA
 535 TELFAIR STREET, AUGUSTA, GA 30601

PROJECT NAME

FIRE STATION #2

PROJECT LOCATION: 928 TELFAIR ST., AUGUSTA, GA 30601



REV	DATE	BY	DESCRIPTION
0	08/29/18	CVW	ISSUED FOR PERMITTING

PROJECT NO. 3042.1604
 DRAWN BY: MNB
 CHECKED BY: CVW
 DATE: 10/18/17

SHEET TITLE:
HVAC DETAILS

SCALE: AS NOTED

DRAWING NO. **M-203** REV. **0**

Order Plans @ www.LDILine.com

www.LDILine.com

This document is the property of Johnson, Laschober & Associates, P.C. The unauthorized reproduction, copying or otherwise use of this document is strictly prohibited and any infringement thereupon may be subject to legal action.