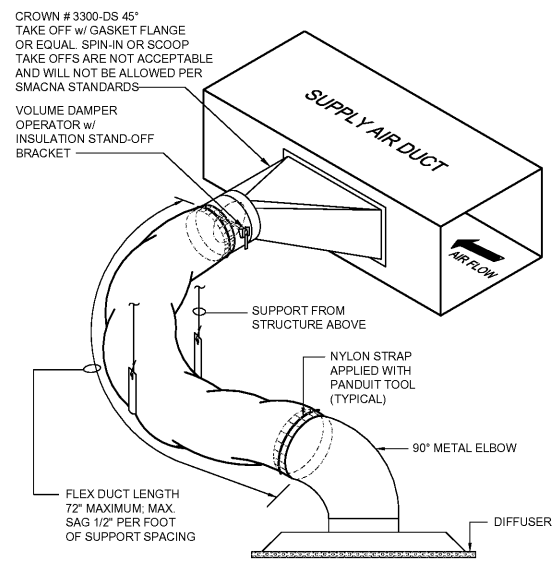


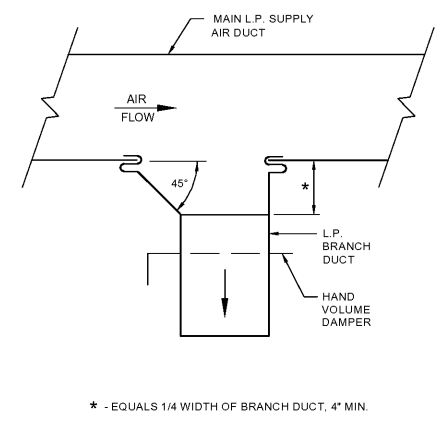
**DETAIL - DOWNFLOW INDOOR FURNACE/  
COOLING COIL UNIT INSTALLATION**  
NO SCALE

1  
M-202



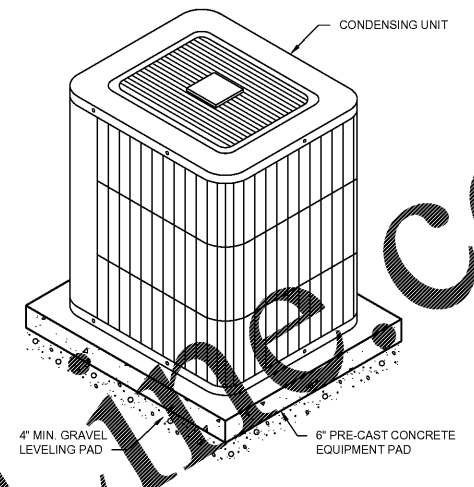
**FLEX DUCT TAKE-OFF DETAIL**  
NO SCALE

2  
M-202



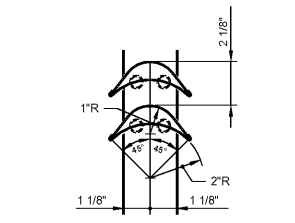
**DETAIL - TYPICAL LOW PRESSURE  
BRANCH DUCT TAKE OFF**  
NO SCALE

3  
M-202

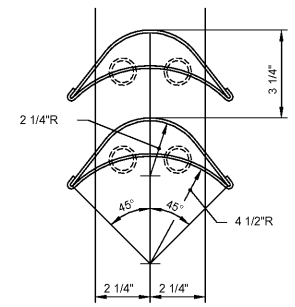


**DETAIL - CONDENSING UNIT ELEVATION**  
NO SCALE

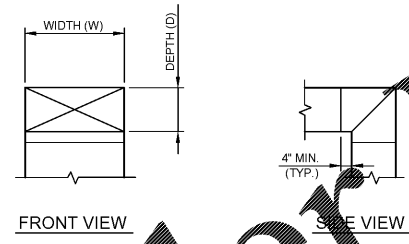
4  
M-202



**SMALL DOUBLE VANE ELBOW**  
USE FOR ELBOWS UP TO 36\"/>



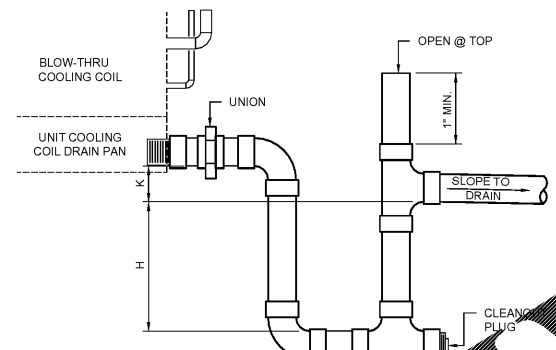
**LARGE DOUBLE VANE ELBOW**  
USE FOR ELBOWS 36\"/>



**NOTES:**  
1. ALL SQUARE OR RECTANGULAR ELBOWS SHALL HAVE ONE OF THE TWO TYPES OF TURN VANES SHOWN ABOVE. SINGLE VANE ELBOWS WILL NOT BE PERMITTED UNLESS SPECIFICALLY INDICATED.  
2. VANES SHALL BE CONSTRUCTED, SUPPORTED AND FASTENED AS RECOMMENDED PER SMACNA.  
3. ALL SQUARE OR RECTANGULAR ELBOWS SHOWN ON PLANS FOR CHAUSSAGE RETURN AIRWAYS MAY BE MADE RADIUS ELBOWS UNLESS SPACE PERMITS RADIUS INSTALLATION.  
4. ALL SQUARE OR RECTANGULAR ELBOWS SHOWN ON PLANS FOR SUPPLY AIRWAYS MAY BE MADE RADIUS ELBOWS PROVIDED SPACE PERMITS RADIUS INSTALLATION AND/OR THERE ISN'T AN OUTLET OR TAKE-OFF WITHIN 5D ON THE DOWNSTREAM SIDE OF THE ELBOW.

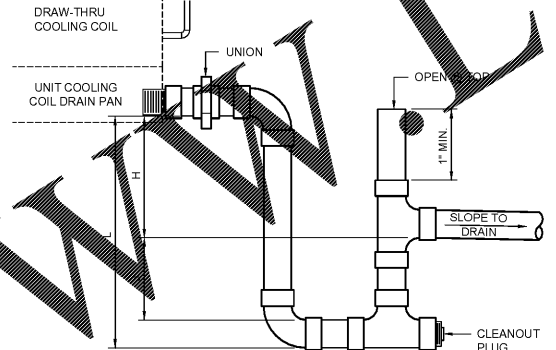
**DETAIL - TYPICAL ELBOW**  
NO SCALE

9  
M-202



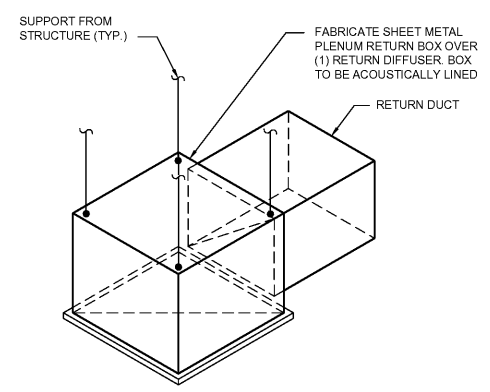
**DETAIL - CONDENSATE DRAIN TRAP**  
NO SCALE

6  
M-202



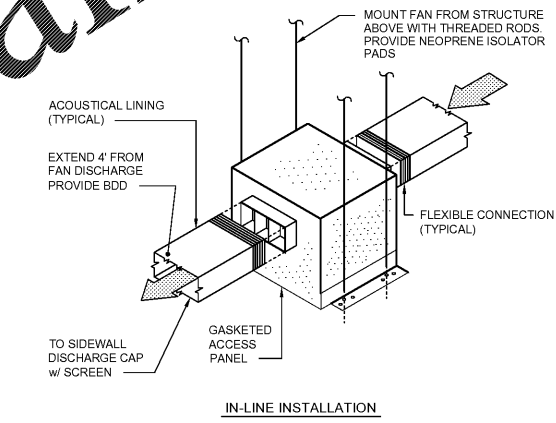
**DETAIL - CONDENSATE DRAIN TRAP**  
NO SCALE

7  
M-202



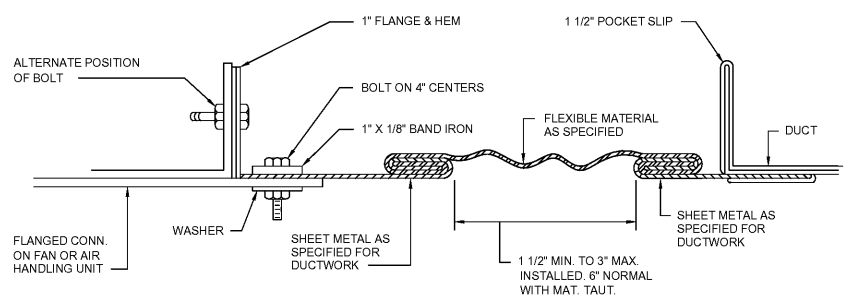
**DETAIL - ONE GRILLE RETURN PLENUM BOX**  
NO SCALE

8  
M-202



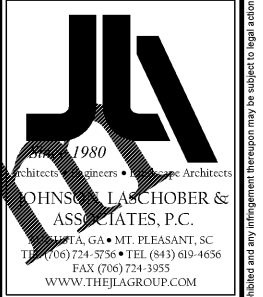
**IN-LINE CEILING EXHAUST FAN DETAIL**  
NO SCALE

10  
M-202



**RECTANGULAR FLEXIBLE CONNECTION DETAIL**  
NO SCALE

11  
M-202



CLIENT: AUGUSTA, GA  
928 TELFAIR STREET, AUGUSTA, GA 30901  
PROJECT NAME: FIRE STATION #2  
PROJECT LOCATION: 928 TELFAIR ST., AUGUSTA, GA 30901



REV	DATE	BY	DESCRIPTION
0	08/29/18	CWV	ISSUED FOR PERMITTING

PROJECT NO. 3042.1604  
DRAWN BY: MNB  
CHECKED BY: CWV  
DATE: 10/18/17

SHEET TITLE:  
**HVAC DETAILS**

SCALE: AS NOTED  
DRAWING NO. **M-202**  
REV. 0

10/20/18 11:39 AM By: NIK BOOKER  
 K:\30421604\Station No. 2\DWG\_DETAILS\302 2.dwg Plotted: 8/29/2018 11:39 AM By: NIK BOOKER