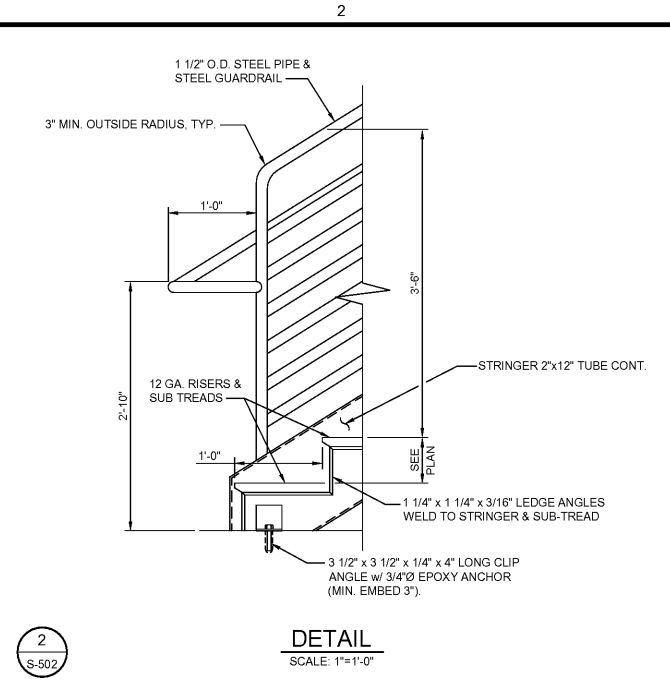
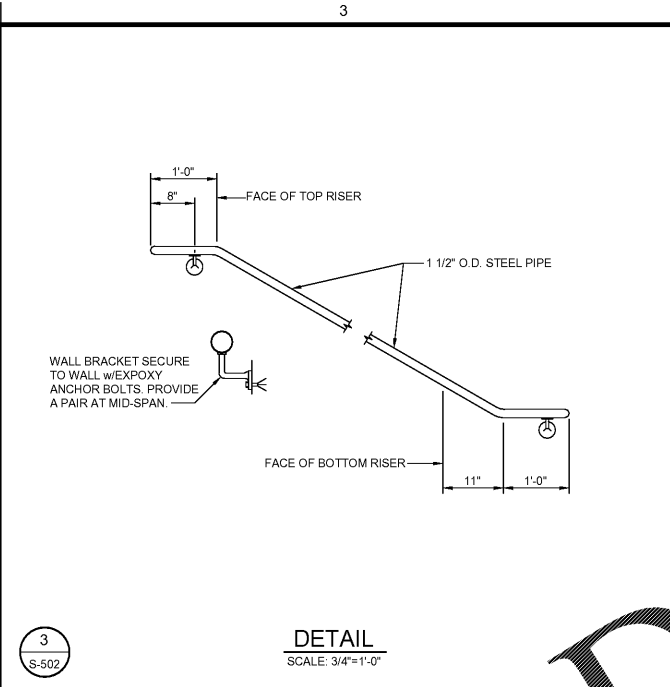


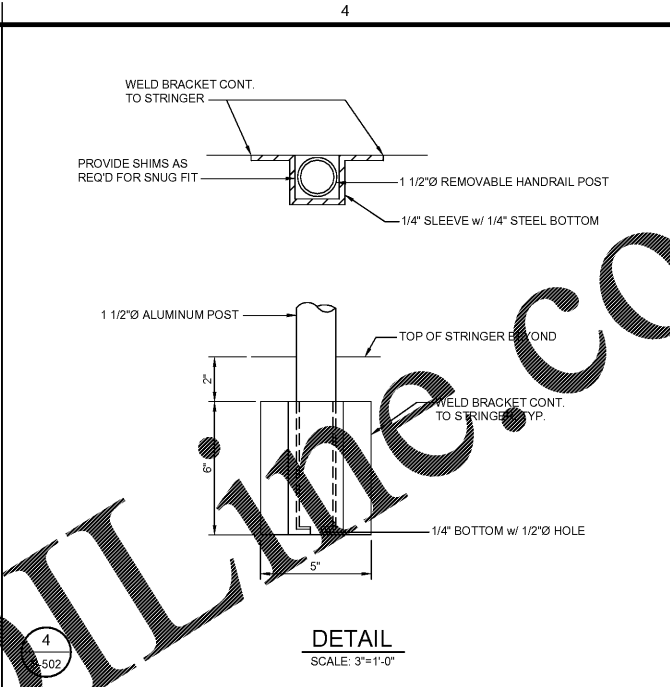
1 SECTION
SCALE: 1/4"=1'-0"



2 DETAIL
SCALE: 1"=1'-0"



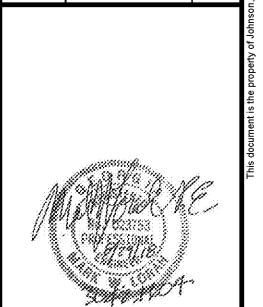
3 DETAIL
SCALE: 3/4"=1'-0"



4 DETAIL
SCALE: 3"=1'-0"

1980
JOHNSON, LASCHOB & ASSOCIATES, P.C.
ARCHITECTS ENGINEERS INTERIORS ARCHITECTS
AUGUSTA, GA • MT. PLEASANT, SC
TEL (706) 724-5756 • TEL (843) 619-4656
FAX (706) 724-3935
WWW.THEJLAGROUP.COM

CLIENT: AUGUSTA, GA
535 TELFAIR STREET, AUGUSTA, GA 30901
PROJECT NAME: FIRE STATION #2
PROJECT LOCATION: 928 TELFAIR ST., AUGUSTA, GA 30901



REV	DATE	BY	DESCRIPTION
0	08/29/18	MWL	ISSUED FOR PERMITTING

PROJECT NO. 3042.1604
DRAWN BY: CB
CHECKED BY: MWL
DATE: 10/18/17
SHEET TITLE: MEZZANINE STAIR PLAN AND MISC DETAILS
SCALE: AS NOTED
DRAWING NO. S-502
REV. 0

Order Plans @ www.LDILine.com

www.LDILine.com

This document is the property of Johnson, Laschob & Associates, P.C. The unauthorized reproduction, copying or otherwise use of this document is strictly prohibited and any infringement thereupon may be subject to legal action.