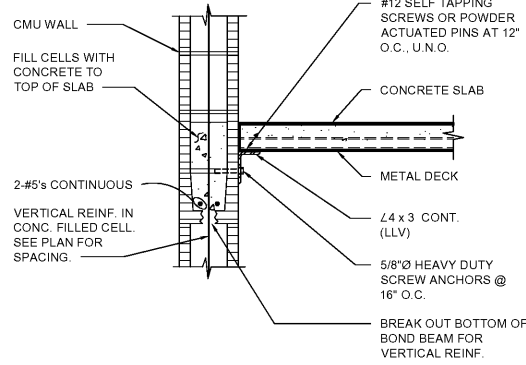
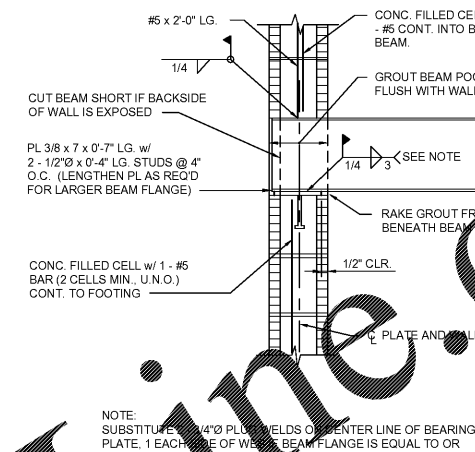


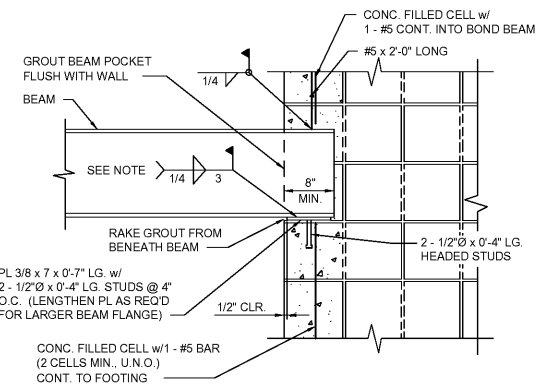
DETAIL
NO SCALE



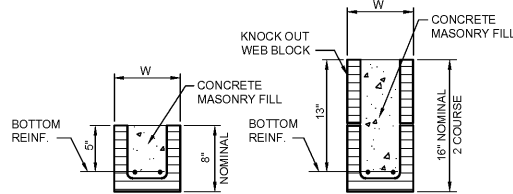
DETAIL
NO SCALE



SECTION
NO SCALE



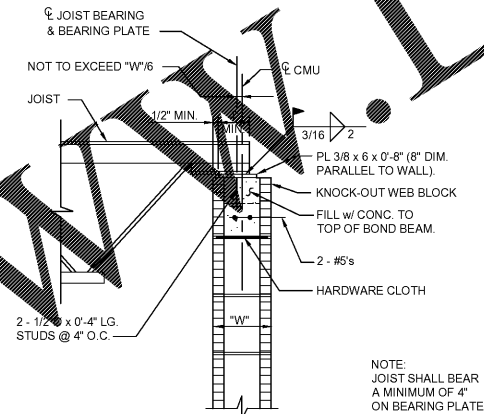
DETAIL
NO SCALE



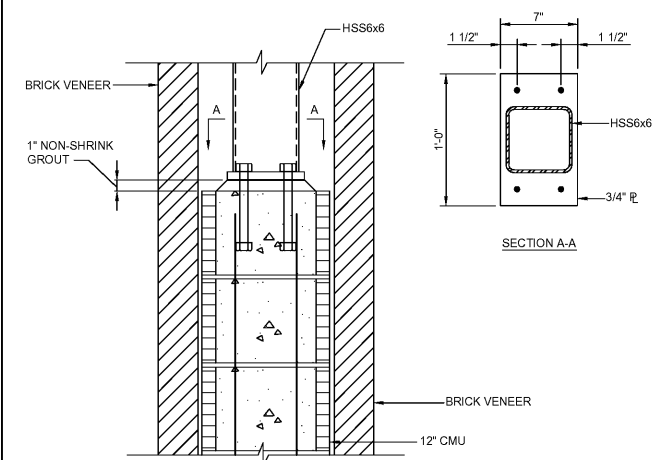
- NOTES:
1. BEARING LENGTH AND DISTANCE FROM CLEAR OPENING TO JOINT AT EACH END OF LINTEL SHALL NOT BE LESS THAN 8".
 2. FOR DOOR AND WINDOW OPENING SIZES AND SPANS REFER TO ARCHITECTURAL DRAWINGS. FOR LOUVER OPENINGS AND DUCTS THROUGH WALLS REFER TO MECHANICAL DRAWINGS.
 3. LINTELS ARE FOR WALL LOADS ONLY AND SHALL NOT BE USED WHERE POINT LOADS TO WALL ARE LOCATED WITHIN CLEAR SPAN / 2 OF TOP OF LINTEL.

MASONRY LINTEL SCHEDULE			
CLEAR SPAN	BOTTOM REINFORCING		LINTEL HEIGHT
	W = 8"	W = 12"	
UP TO 6'-0"	2 - #4s	3 - #4s	8"
6'-1" - 8'-0"	2 - #5s	3 - #5s	8"
8'-1" - 10'-0"	2 - #4s	3 - #4s	16"
10'-1" - 12'-0"	2 - #5s	3 - #5s	16"

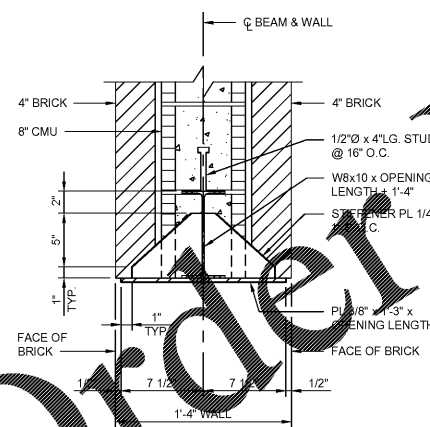
DETAIL
NO SCALE



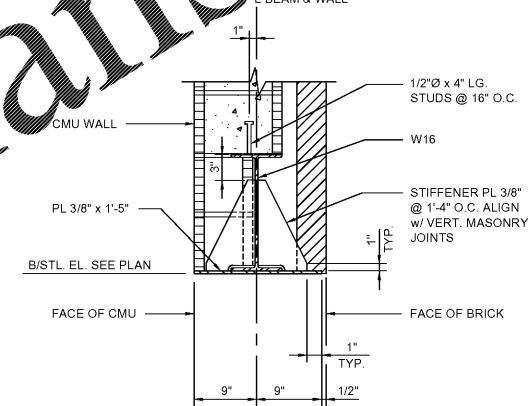
SECTION
NO SCALE



SECTION
SCALE: 1 1/2"=1'-0"



SECTION
SCALE: 1 1/2"=1'-0"



SECTION
NO SCALE

1980
architects • engineers • interior architects
JOHNSON, LASCHOBER & ASSOCIATES, P.C.
1000 W. GA • MT. PLEASANT, SC
TEL: (706) 724-5756 • TEL: (843) 619-4656
FAX: (706) 724-3935
WWW.THEJLAGROUP.COM

CLIENT: AUGUSTA, GA
535 TELFAIR STREET, AUGUSTA, GA 30601
PROJECT NAME: **FIRE STATION #2**
PROJECT LOCATION: 928 TELFAIR ST., AUGUSTA, GA 30601

REV	DATE	BY	DESCRIPTION
0	08/29/18	MWL	ISSUED FOR PERMITTING

PROJECT NO. 3042.1604
DRAWN BY: CB
CHECKED BY: MWL
DATE: 10/18/17
SHEET TITLE: **MASONRY SECTIONS AND DETAILS**
SCALE: AS NOTED
DRAWING NO. **S-401** REV. 0

Order Plans @ www.lldonline.com

10/20/2018 10:43:08 AM REV. 11/15/2017 MB

This document is the property of Johnson, Laschobar & Associates, P.C. The unauthorized reproduction, copying or otherwise use of this document is strictly prohibited and any infringement thereupon may be subject to legal action.