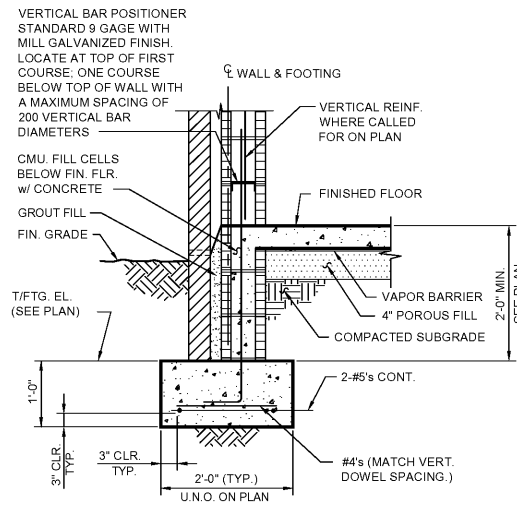


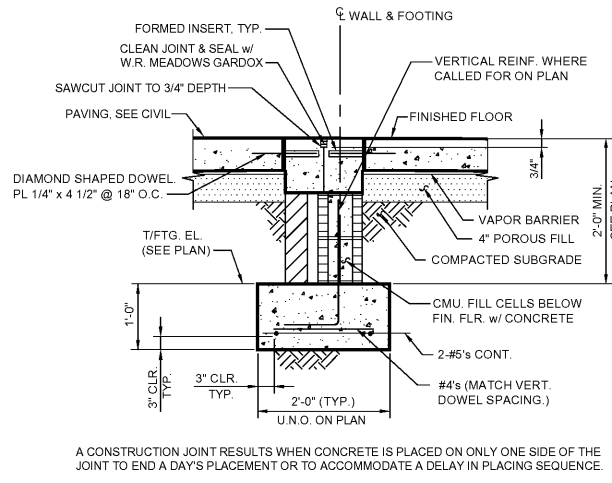
NOTE: DEPTH TO TOP OF FOOTING SHALL BE COORDINATED TO PERMIT PLUMBING TO PASS OVER FOOTING.

SECTION
NO SCALE



NOTE: DEPTH TO TOP OF FOOTING SHALL BE COORDINATED TO PERMIT PLUMBING TO PASS OVER FOOTING.

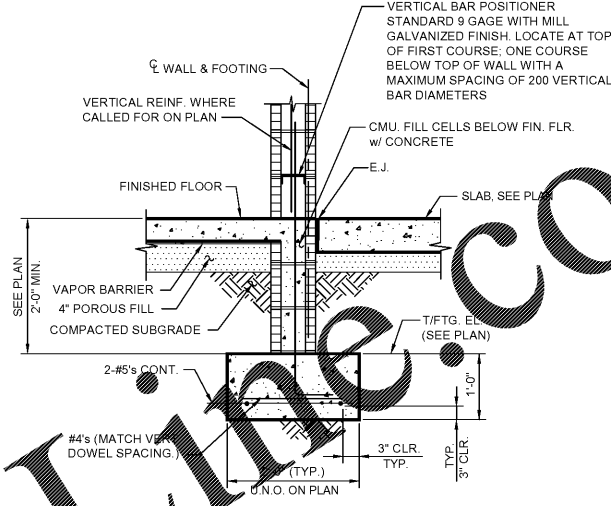
SECTION
NO SCALE



A CONSTRUCTION JOINT RESULTS WHEN CONCRETE IS PLACED ON ONLY ONE SIDE OF THE JOINT TO END A DAY'S PLACEMENT OR TO ACCOMMODATE A DELAY IN PLACING SEQUENCE.

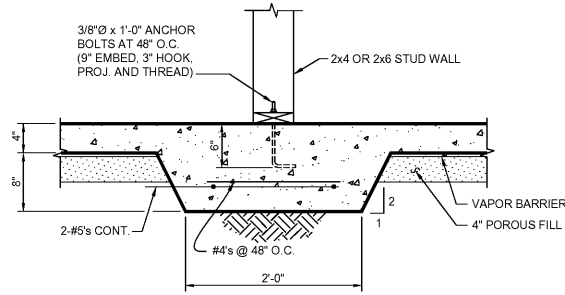
NOTE: DEPTH TO TOP OF FOOTING SHALL BE COORDINATED TO PERMIT PLUMBING TO PASS OVER FOOTING.

SECTION
NO SCALE

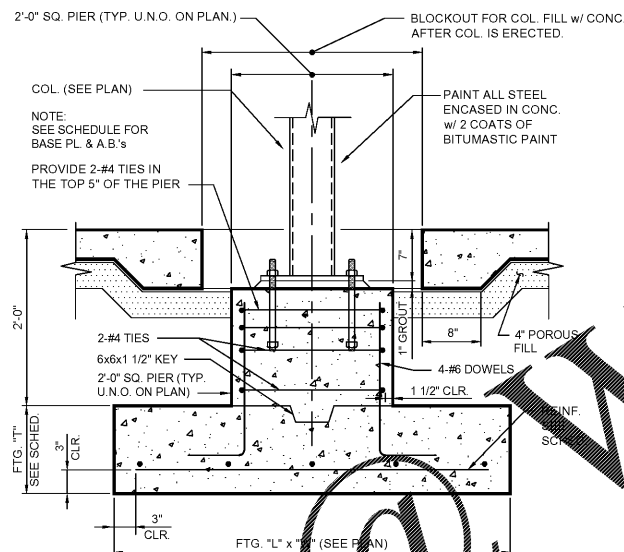


NOTE: DEPTH TO TOP OF FOOTING SHALL BE COORDINATED TO PERMIT PLUMBING TO PASS OVER FOOTING.

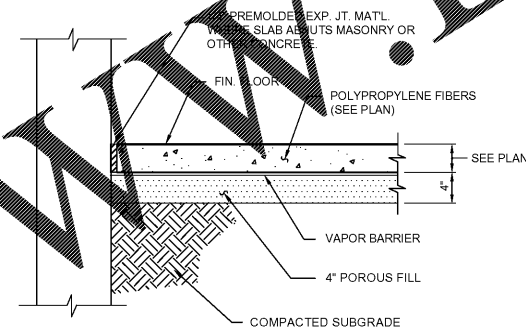
SECTION
NO SCALE



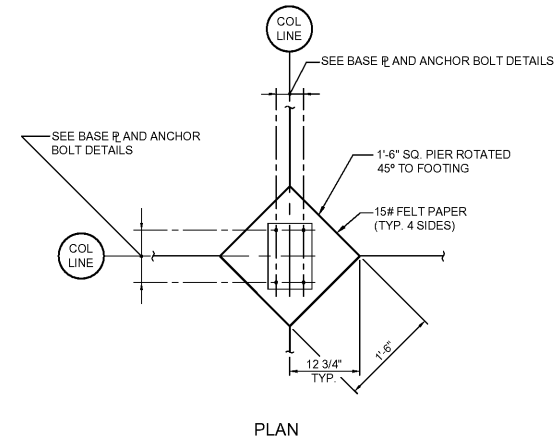
SECTION
SCALE: 1"=1'-0"



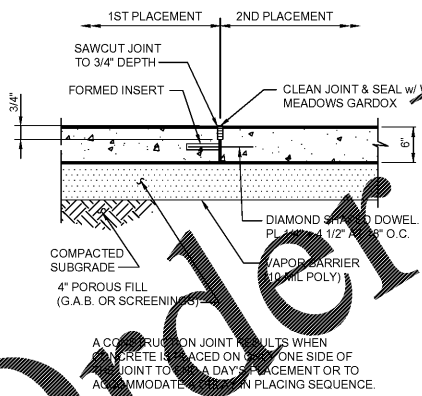
SECTION
SCALE: 1"=1'-0"



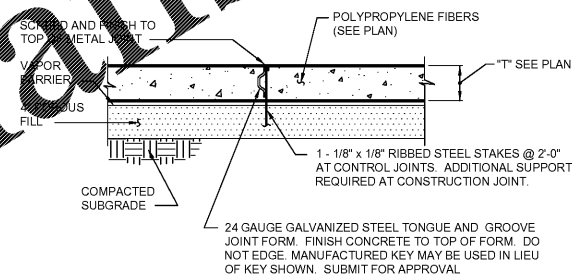
DETAIL
NO SCALE



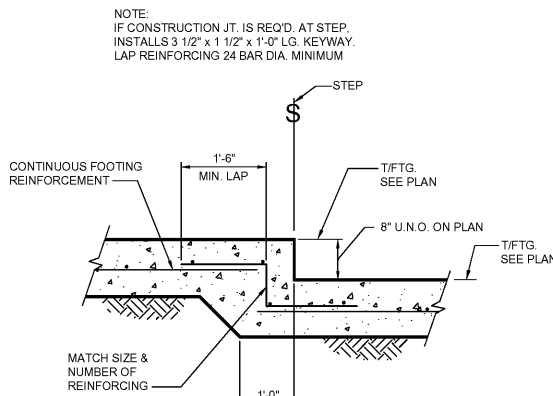
DETAIL
SCALE: 3/4"=1'-0"



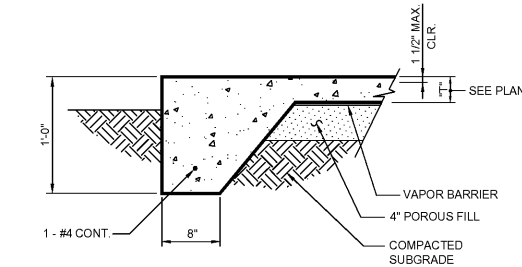
DETAIL
NO SCALE



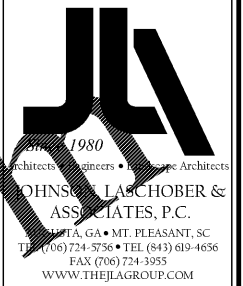
DETAIL
NO SCALE



DETAIL
NO SCALE



SECTION
NO SCALE



CLIENT: AUGUSTA, GA
535 TELFAIR STREET, AUGUSTA, GA 30901

PROJECT NAME:

FIRE STATION #2

PROJECT LOCATION: 928 TELFAIR ST., AUGUSTA, GA 30901



REV	DATE	BY	DESCRIPTION
0	08/29/18	MWL	ISSUED FOR PERMITTING

PROJECT NO. 3042.1604
DRAWN BY: CB
CHECKED BY: MWL
DATE: 10/18/17

SHEET TITLE:
CONCRETE SECTIONS AND DETAILS

SCALE: AS NOTED
DRAWING NO. **S-301**

REV: 0