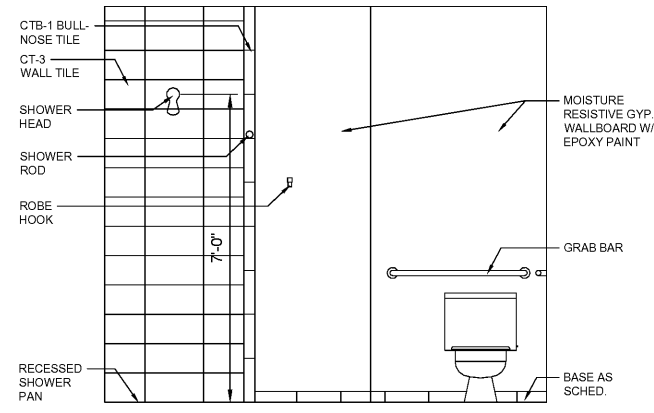
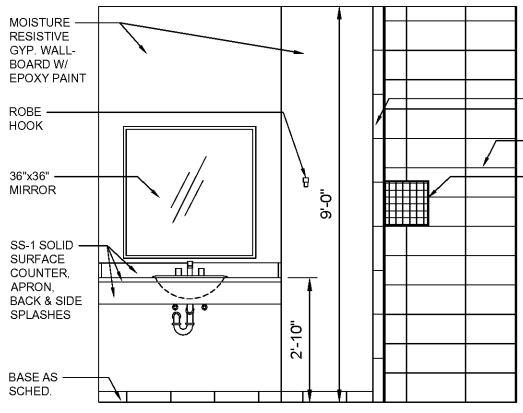


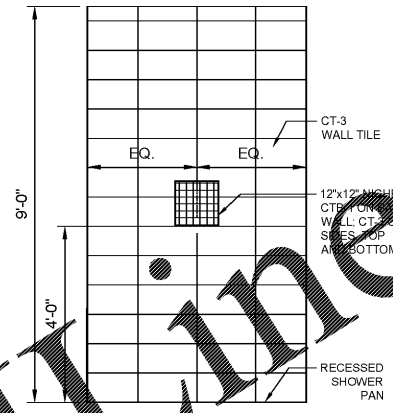
1 ELEVATION
A-901 SCALE: 1/2" = 1'-0"



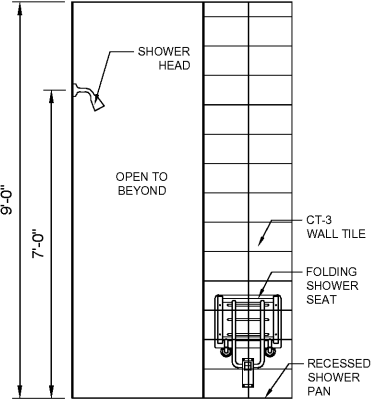
2 ELEVATION
A-901 SCALE: 1/2" = 1'-0"



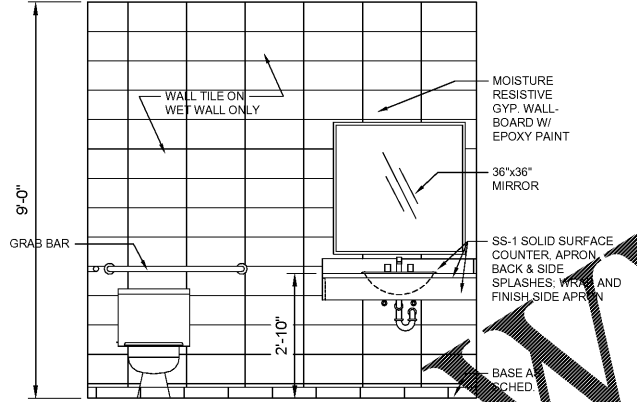
3 ELEVATION
A-901 SCALE: 1/2" = 1'-0"



4 ELEVATION
A-901 SCALE: 1/2" = 1'-0"



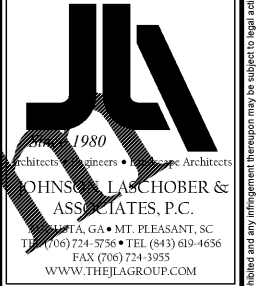
5 ELEVATION
A-901 SCALE: 1/2" = 1'-0"



6 ELEVATION
A-901 SCALE: 1/2" = 1'-0"

Order Plans @

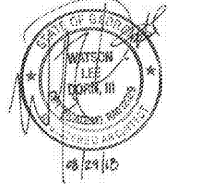
WWW.LDILLINE.COM



CLIENT: AUGUSTA, GA
535 TELFAIR STREET, AUGUSTA, GA 30601

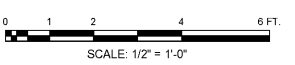
PROJECT NAME: FIRE STATION #2

PROJECT LOCATION: 928 TELFAIR ST., AUGUSTA, GA 30601



REV	DATE	BY	DESCRIPTION
0	08/29/18	WLD	ISSUED FOR PERMITTING

PROJECT NO. 3042.1604
 DRAWN BY: JPT
 CHECKED BY: WLD
 DATE: 10/18/17
 SHEET TITLE: INTERIOR ELEVATIONS
 SCALE: AS NOTED
 DRAWING NO. A-901
 REV. 0



This document is the property of Johnson, Lascobor & Associates, P.C. The unauthorized reproduction, copying or otherwise use of this document is strictly prohibited and any infringement thereupon may be subject to legal action.