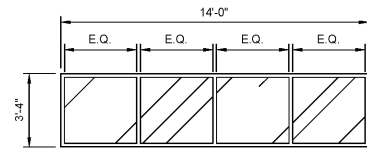


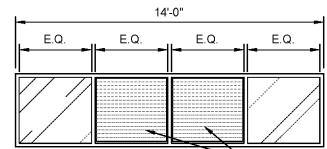
TYPE AL-1
ALUMINUM 601UT STOREFRONT

TYPE AL-2
ALUMINUM 451UT STOREFRONT

WINDOW TYPE A
ALUMINUM 451UT STOREFRONT



WINDOW TYPE B
ALUMINUM 451UT STOREFRONT

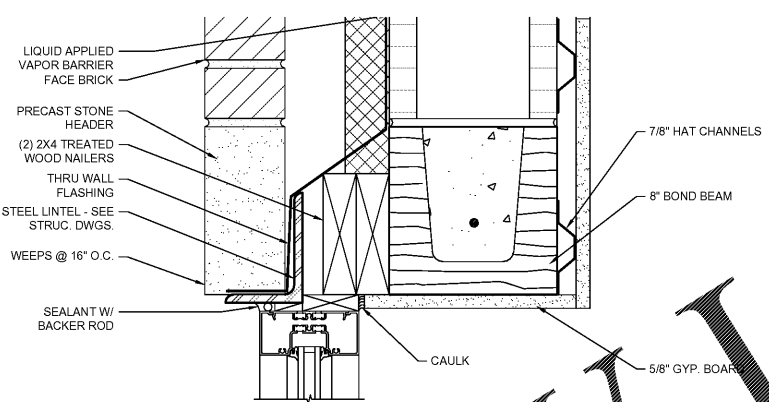


WINDOW TYPE C
ALUMINUM 451UT STOREFRONT

NOTE:
TRIFAB™ 601UT FRAMING SYSTEM, SCREW SPLINE ASSEMBLY (1" INFILL), CENTER SET, TYPICAL FRAMING DETAILS, INSIDE GLAZED
TRIFAB™ 451UT FRAMING SYSTEM, SCREW SPLINE ASSEMBLY / OUTSIDE GLAZED 1" INFILL / CENTER PLANE TYPICAL FRAMING DETAILS

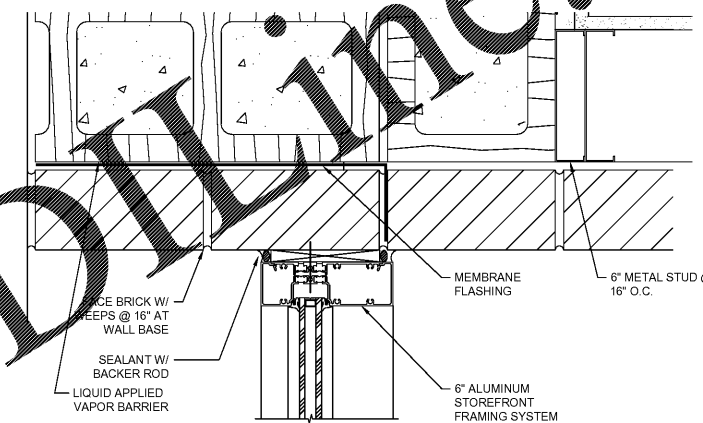
1 ALUMINUM STOREFRONT ELEVATIONS

A-702 SCALE: 1/4" = 1'-0"



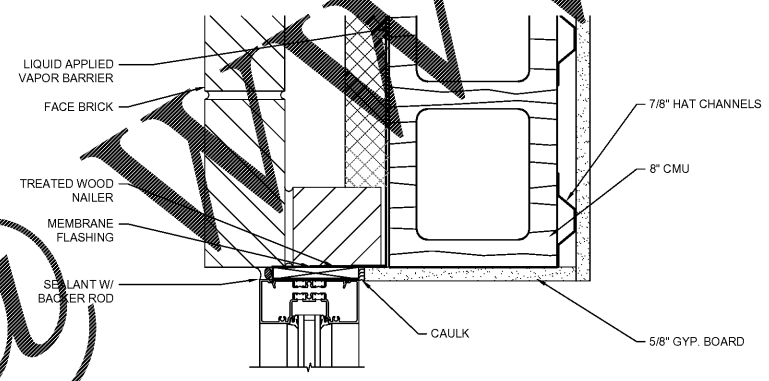
3 HEAD DETAIL, TYPE AL-1

A-702 SCALE: 3" = 1'-0"



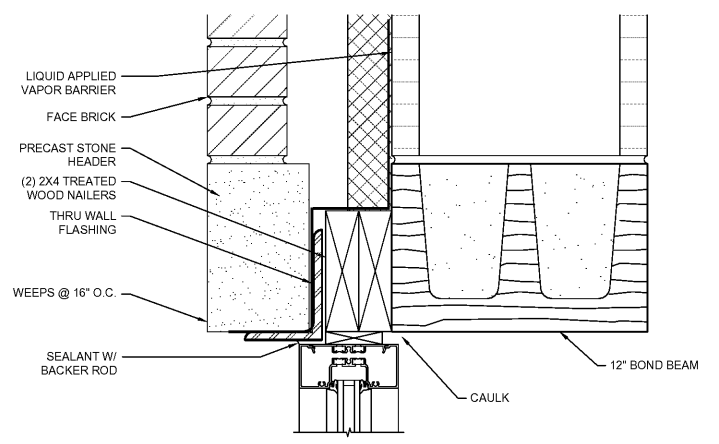
7 JAMB DETAIL, TYPE AL-1

A-702 SCALE: 3" = 1'-0"



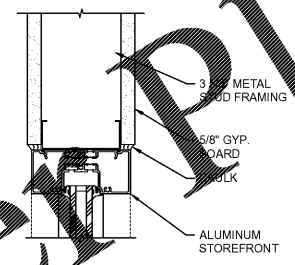
4 JAMB DETAIL, TYPE A

A-702 SCALE: 3" = 1'-0"



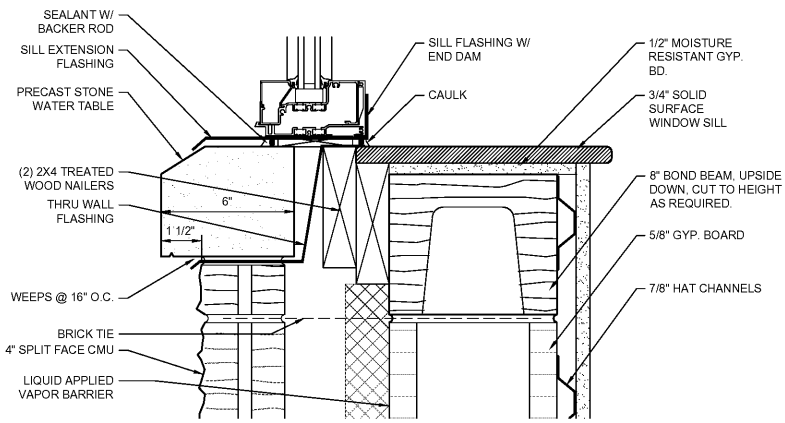
7 HEAD/JAMB DETAIL, TYPE B,C

A-702 SCALE: 3" = 1'-0"



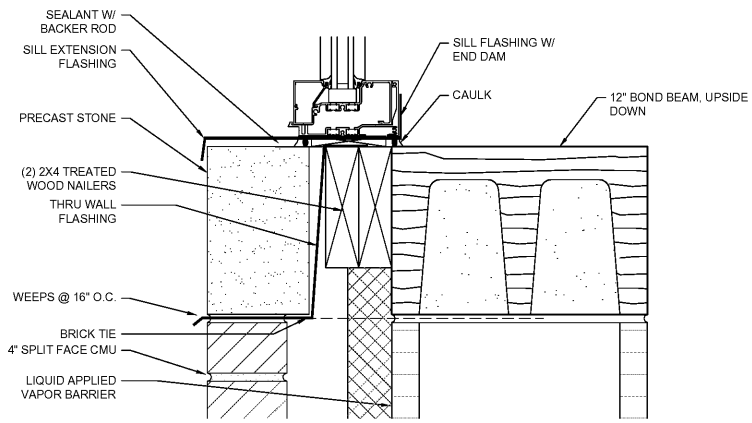
2 HEAD, JAMB, SILL DETAIL, TYPE AL-2

A-702 SCALE: 3" = 1'-0"



5 SILL DETAIL, TYPE A

A-702 SCALE: 3" = 1'-0"



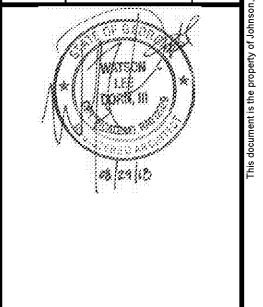
8 SILL DETAIL, TYPE B,C

A-702 SCALE: 3" = 1'-0"

CLIENT: AUGUSTA, GA
535 TELFAIR STREET, AUGUSTA, GA 30601

PROJECT NAME: FIRE STATION #2

PROJECT LOCATION: 928 TELFAIR ST., AUGUSTA, GA 30601



REV	DATE	BY	DESCRIPTION
0	08/29/18	WLD	ISSUED FOR PERMITTING

PROJECT NO. 3042.1604
DRAWN BY: CBW
CHECKED BY: WLD
DATE: 10/18/17

SHEET TITLE:
STOREFRONT ELEVATIONS AND DETAILS

SCALE: AS NOTED
DRAWING NO. **A-702** REV. 0

Order Plans @