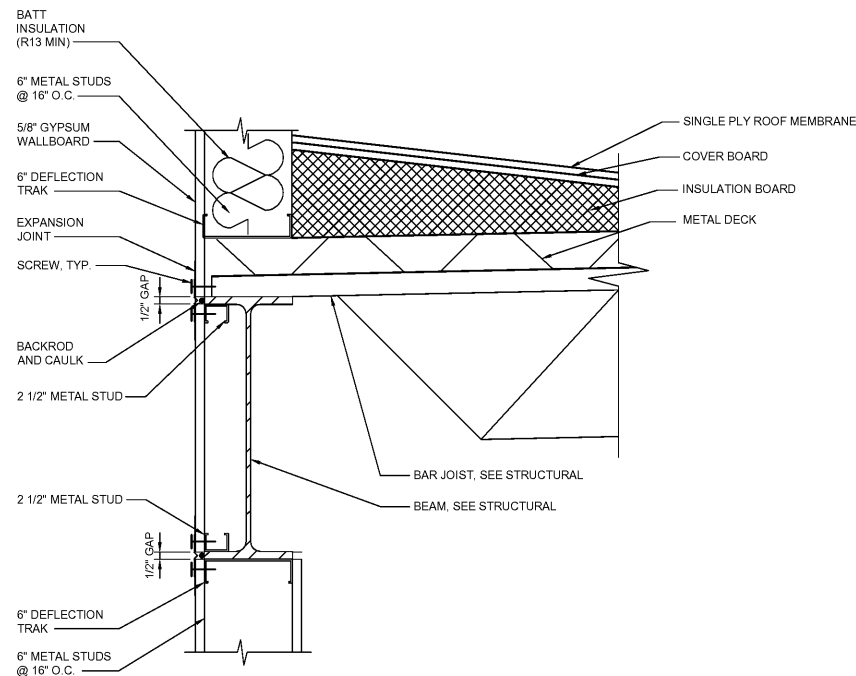
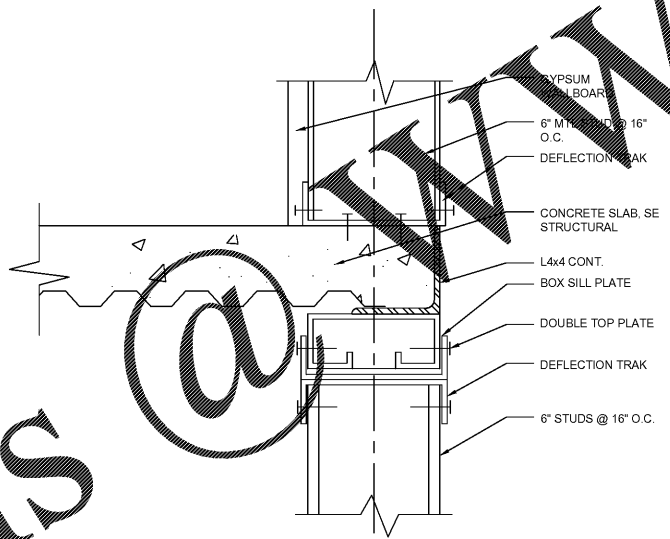


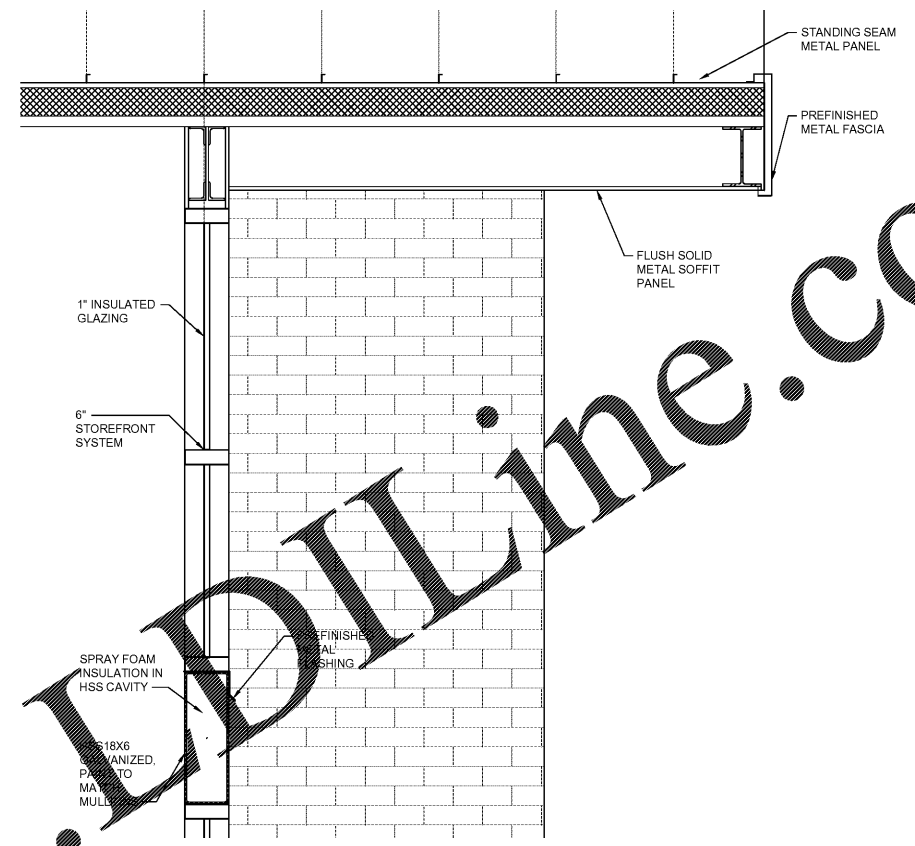
1 WALL SECTION
A-602 SCALE: 1" = 1'-0"



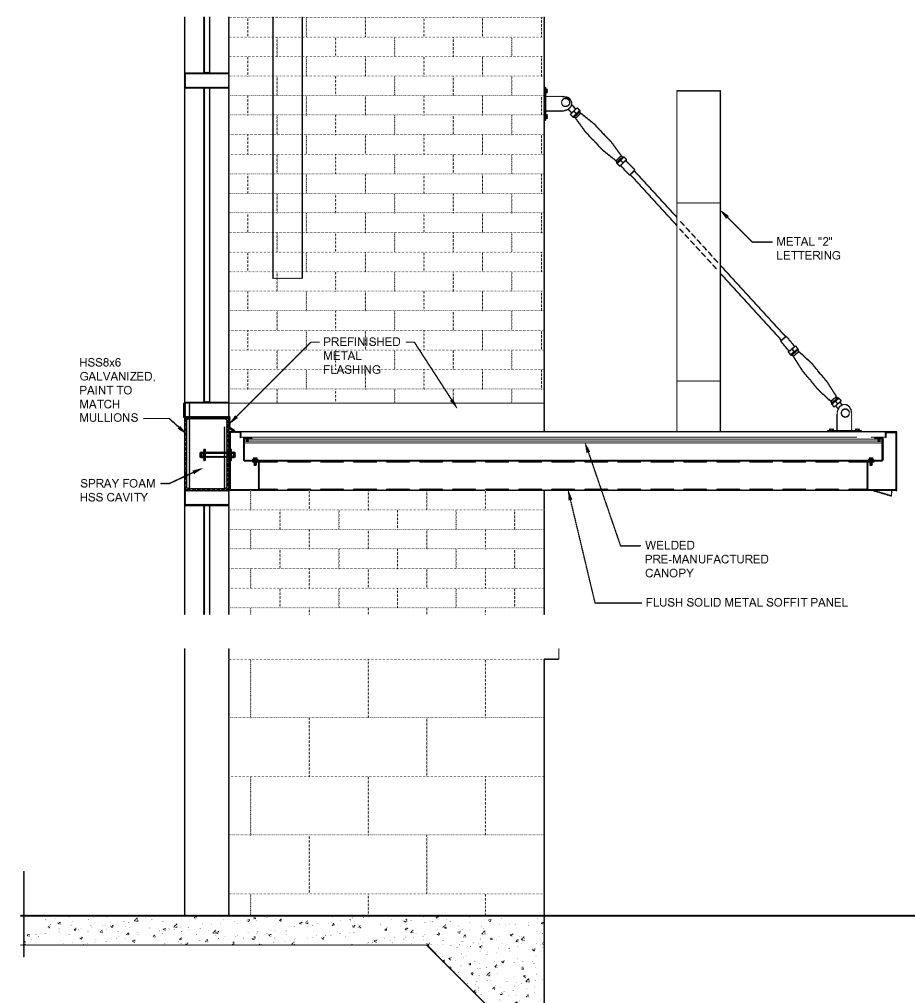
2 DETAIL
A-602 N.T.S.



4 DETAIL
A-602 N.T.S.

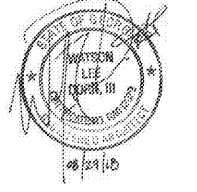


3 WALL SECTION
A-602 SCALE: 1" = 1'-0"



1980
Architects Engineers & Planners
JOHNSON LASCHOBER & ASSOCIATES, P.C.
TEL: (706) 724-5756 • TEL: (843) 619-4656
FAX: (706) 724-3935
WWW.THEJLAGROUP.COM

CLIENT: AUGUSTA, GA
535 TELFAIR STREET, AUGUSTA, GA 30901
PROJECT NAME: **FIRE STATION #2**
PROJECT LOCATION: 928 TELFAIR ST., AUGUSTA, GA 30901



REV	DATE	BY	DESCRIPTION
0	08/29/18	WLD	ISSUED FOR PERMITTING

PROJECT NO. 3042.1604
DRAWN BY: CBW
CHECKED BY: WLD
DATE: 10/18/17

SHEET TITLE: **WALL SECTIONS**

SCALE: AS NOTED
DRAWING NO. **A-602** REV. **0**

Order Plans @ www.pdfline.com

This document is the property of Johnson, Laschobar & Associates, P.C. The unauthorized reproduction, copying or otherwise use of this document is strictly prohibited and any infringement thereupon may be subject to legal action.