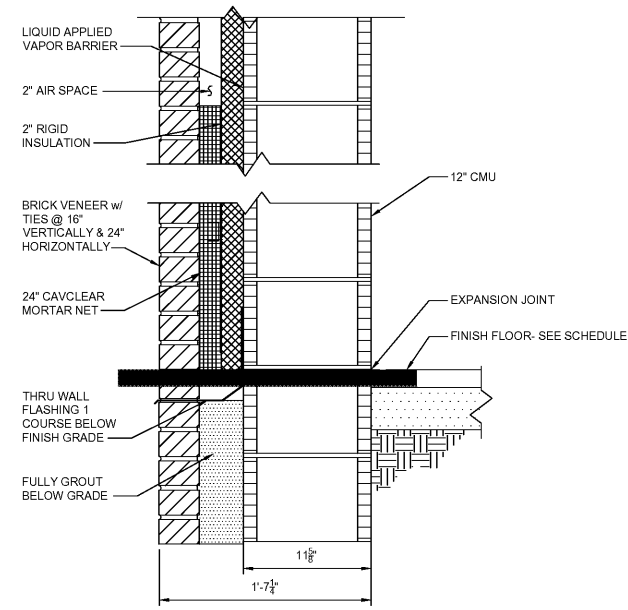
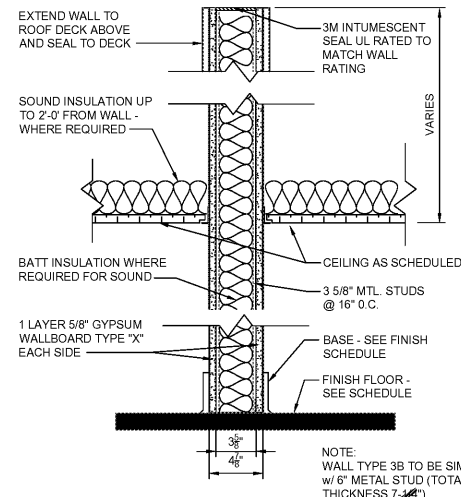


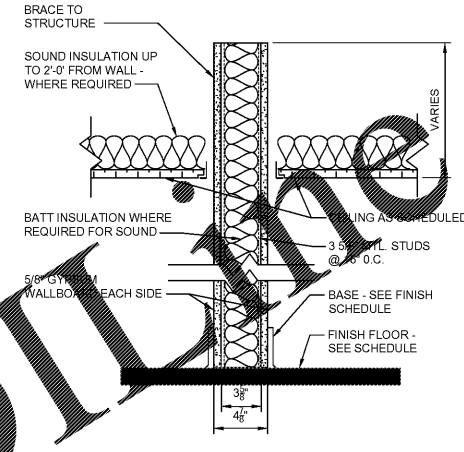
WALL TYPE 1



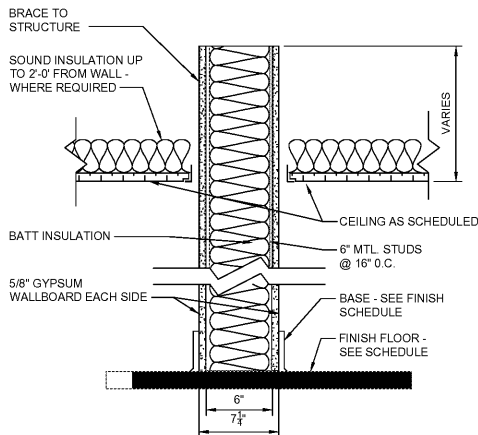
WALL TYPE 2



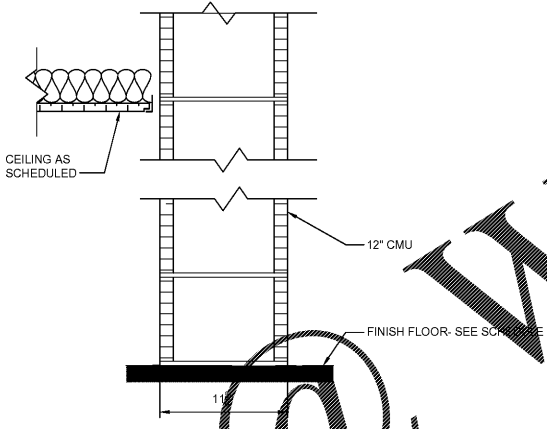
WALL TYPE 3 & 3B



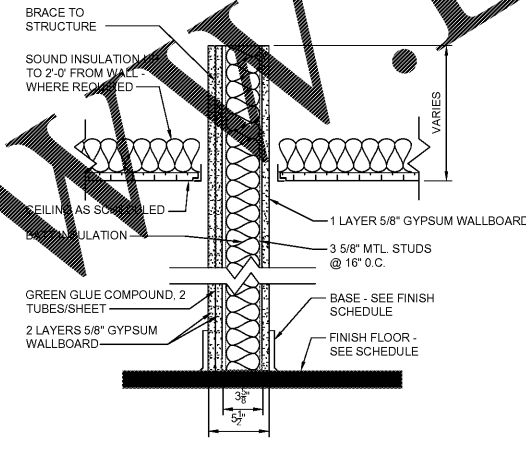
WALL TYPE 4



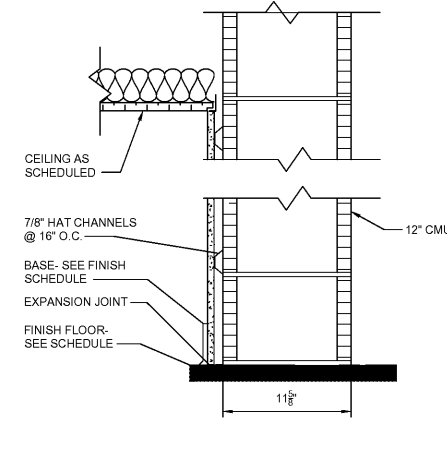
WALL TYPE 5



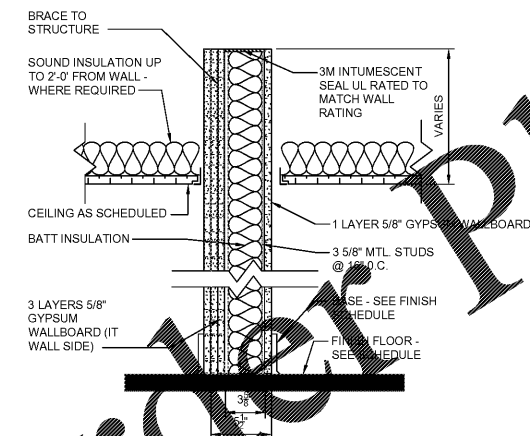
WALL TYPE 6



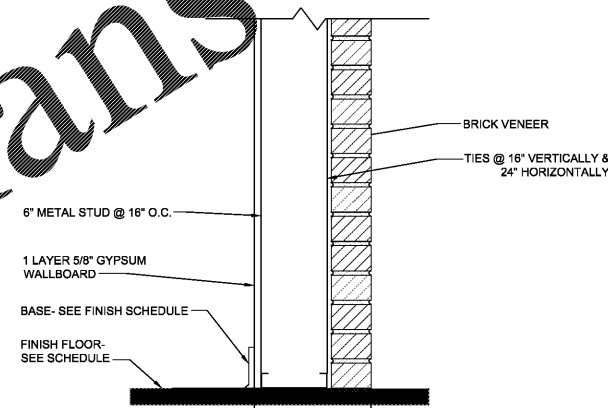
WALL TYPE 7



WALL TYPE 8



WALL TYPE 9



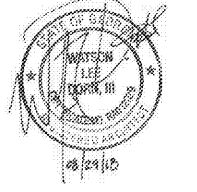
WALL TYPE 10

1980  
Johnson, Laschober & Associates, P.C.  
Architects, Engineers & Planners  
1000 Peachtree Street, N.E., Suite 1000  
Atlanta, GA 30309 • TEL: (404) 525-7575  
TEL: (843) 619-4656  
FAX: (706) 724-3935  
WWW.THEJLAGROUP.COM

CLIENT: AUGUSTA, GA  
535 TELFAIR STREET, AUGUSTA, GA 30601

PROJECT NAME: **FIRE STATION #2**

PROJECT LOCATION: 928 TELFAIR ST., AUGUSTA, GA 30601



REV	DATE	BY	DESCRIPTION
0	08/29/18	WLD	ISSUED FOR PERMITTING

PROJECT NO. 3042.1604  
DRAWN BY: CBW  
CHECKED BY: WLD  
DATE: 10/18/17

SHEET TITLE: **WALL TYPES**

SCALE: AS NOTED

DRAWING NO. **A-103** REV. **0**

Order Plans @ WWW.LDILLMAN.COM