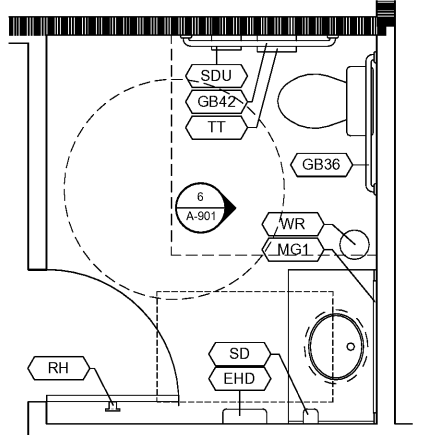
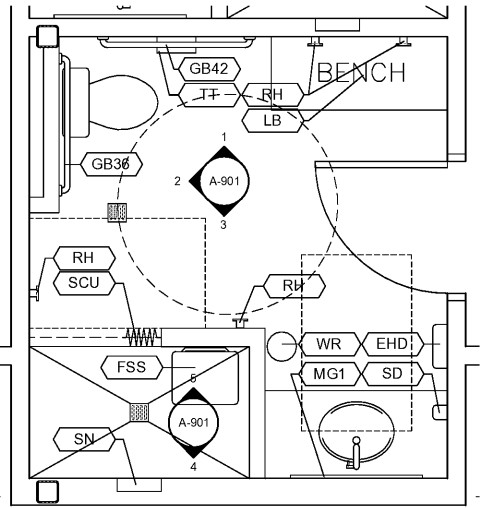


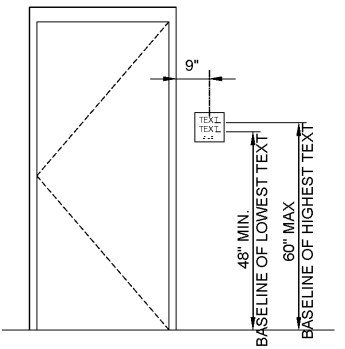
1 ENLARGED JANITOR CLOSET 110  
A-102 SCALE: 1/2" = 1'-0"



2 ENLARGED TOILET ROOM 101A  
A-102 SCALE: 1/2" = 1'-0"

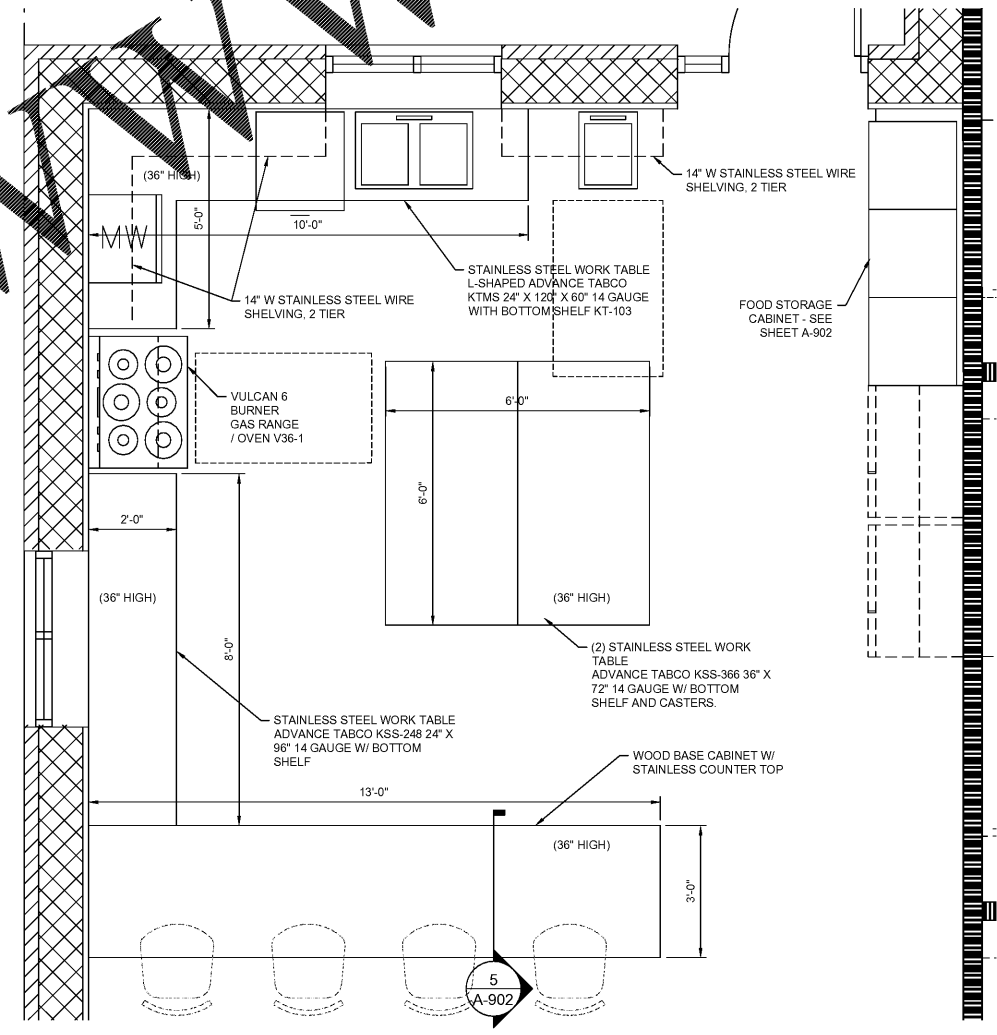
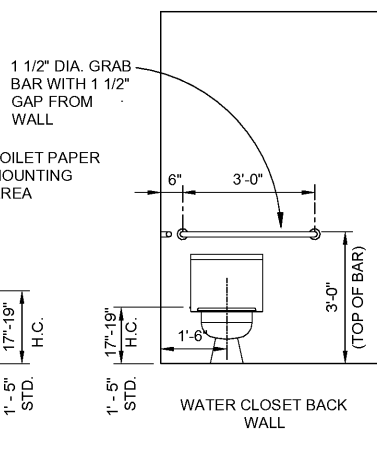
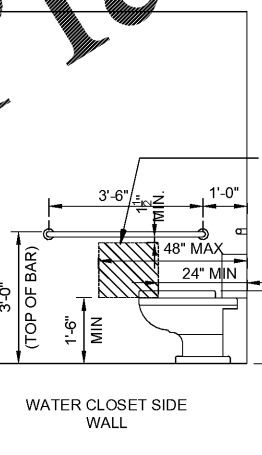
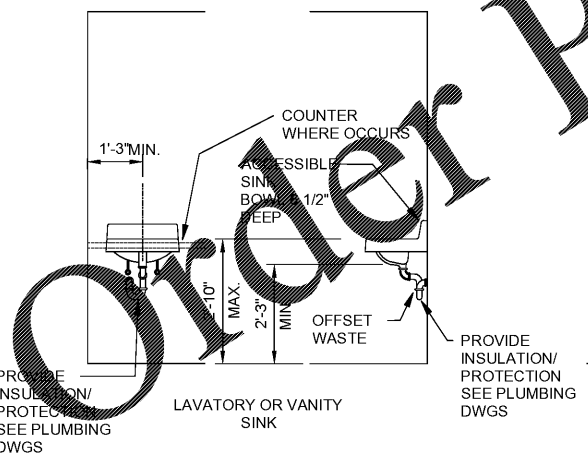
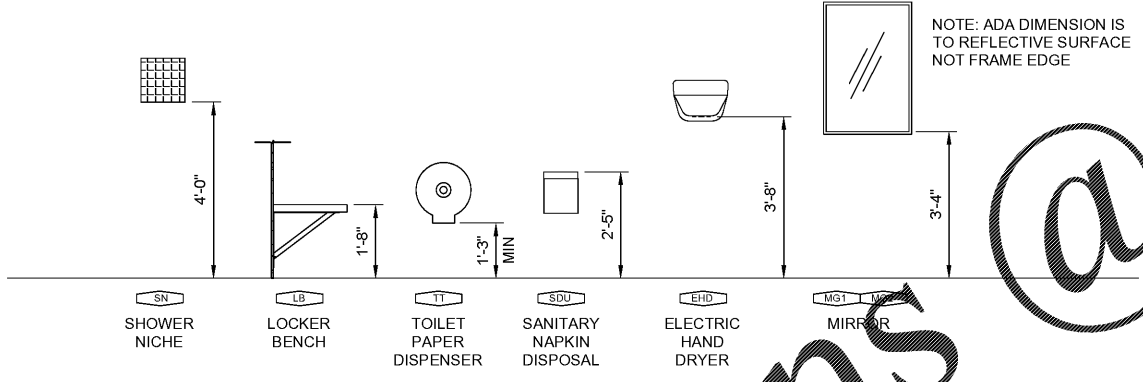
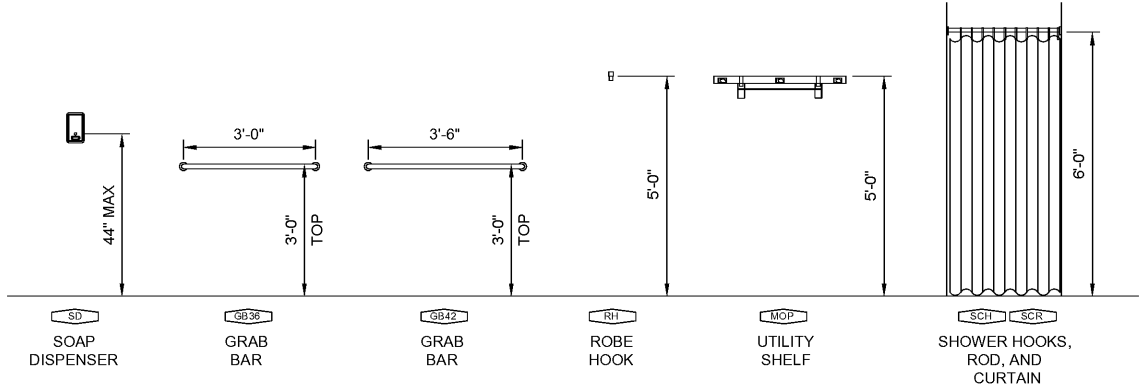


3 ENLARGED TLT/SHOWER 119, 122, 129, 131  
A-102 SCALE: 1/2" = 1'-0"

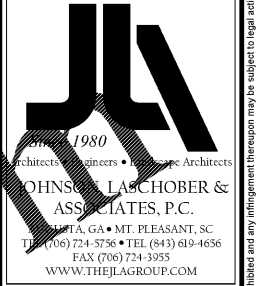
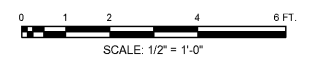


4 SIGN LOCATION DETAIL  
A-102 SCALE: 1/2" = 1'-0"

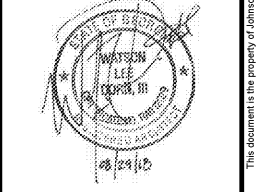
ACCESSORY SCHEDULE			
NOTE: ALL ACCESSORIES TO HAVE MAX PROJECTION OF 4"			
KEY	ACCESSORY DESCRIPTION	BOBRICK NO. / ASI NO. *	MOUNTING HEIGHT
(EHD)	SURFACE-MOUNTED STAINLESS ELECTRIC HAND DRYER	ASI 0185-92	BOTTOM OF UNIT - 40"
(TT)	SURFACE-MOUNTED STAINLESS JUMBO ROLL TISSUE DISPENSER	ASI 0042	BOTTOM OF UNIT - 1'-3" MIN.
(SDU)	SURFACE-MOUNTED STAINLESS SANITARY NAPKIN DISPOSAL	ASI 0852	TOP OF UNIT - 2'-5"
(MS1)	GLASS MIRROR WITH STAINLESS STEEL ANGLE FRAME, 36" x 36"H	ASI 0600-3636	BOTTOM OF GLASS - 3'-4" MAX
(SD)	SURFACE-MOUNTED FOAM SOAP DISPENSER	B-26627	BOTTOM OF UNIT - 3'-6"
(FSS)	SOLID PHENOLIC FOLDING SHOWER SEAT	B-5191	TOP OF SEAT - 1'-3" TO 1'-7"
(GB36)	1 1/2" DIAMETER STAINLESS STEEL GRAB BARS WITH SNAP FLANGE	B-6806 x 36	TOP OF UNIT - 3'-0"
(GB42)	1 1/2" DIAMETER STAINLESS STEEL GRAB BARS WITH SNAP FLANGE	B-6806 x 42	TOP OF UNIT - 3'-0"
(RH)	STAINLESS STEEL ROBE HOOK	B-223	CENTER OF UNIT - 5'-0"
(LB)	WALL-MOUNTED PHENOLIC LOCKER BENCH TOP, 48"L x 20"D, COGNITIVE WITH STEEL BRACKETS	ASI 0000	TOP OF UNIT - 1'-6"
(WR)	WASTE RECEPTACLE	ASI 0017	--
(SCH)	STAINLESS STEEL SHOWER CURTAIN	B-207 x 36	BOTTOM OF UNIT - 6'-0"
(SCR)	WITH STAINLESS STEEL SHOWER CURTAIN HOOK	B-204-1	--
(MOP)	1 1/2" VINYL SHOWER CURTAIN	B-204-3	TOP OF UNIT - 6'-0"
(SN)	PRE-FABRICATED SHOWER NICHE BY SCHLUTER SYSTEM, 12" x 12" x 3.5"D	KB 12 SN 305 305 A	BOTTOM OF UNIT - 4'-0"
(MOP)	UTILITY SHELF WITH MOP / BROOM HOLDER AND RAG HOOKS	B-224 x 36	TOP OF UNIT - 5'-0"



5 ENLARGED KITCHEN PLAN  
A-102 SCALE: 1/2" = 1'-0"



CLIENT: AUGUSTA, GA  
535 TELFAIR STREET, AUGUSTA, GA 30601  
PROJECT NAME: FIRE STATION #2  
PROJECT LOCATION: 928 TELFAIR ST., AUGUSTA, GA 30601



REV	DATE	BY	DESCRIPTION
0	08/29/18	WLD	ISSUED FOR PERMITTING

PROJECT NO. 3042.1604  
DRAWN BY: JPT  
CHECKED BY: WLD  
DATE: 10/18/17  
SHEET TITLE: ENLARGED JANITOR, TOILETS, & TOILET ACCESSORIES  
SCALE: AS NOTED  
DRAWING NO. A-102  
REV. 0

Order Plans @ WWW.LDLINE.COM

WWW.LDLINE.COM

This document is the property of Johnson, Laschober & Associates, P.C. The unauthorized reproduction, copying or otherwise use of this document is strictly prohibited and any infringement thereupon may be subject to legal action.