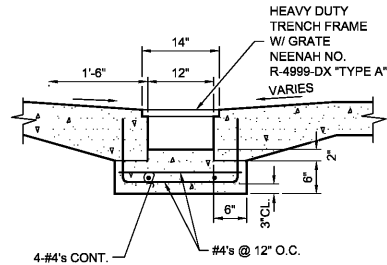


SECTION THRU TRENCH DRAIN AT DRIVEWAY

- NOTES:
1. ALL CONCRETE IN TRENCH SHALL BE 3,000PSI W/ NO. 4 REBARS @ 12" O.C., B.W.
 2. TRENCH FRAMES & GRATES SHALL BE CAT. NO. R-4999-DX "TYPE A" AS MANUFACTURED BY NEENAH FOUNDRY COMPANY OR EQUAL (MUST BE APPROVED BY THE ENGINEER).

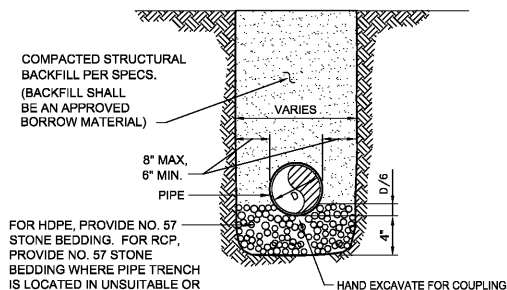
TRENCH DRAIN DETAIL

NO SCALE



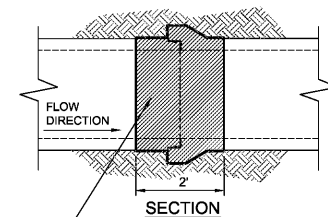
SECTION "A-A"

- NOTE:
1. PROVIDE GREEN WARNING TAPE OVER STORM PIPES.
 2. THERMOPLASTIC PIPE SHALL BE INSTALLED PER THIS DETAIL & PER ASTM D-2321 "STANDARD PRACTICE FOR UNDERGROUND INSTALLATION OF THERMOPLASTIC PIPE FOR SEWERS & OTHER GRAVITY FLOW APPLICATIONS."
 3. REINFORCED CONCRETE PIPE (RCP) SHALL BE INSTALLED PER THIS DETAIL & PER ASTM C1479-01 "STANDARD PRACTICE FOR INSTALLATION OF PRECAST CONCRETE SEWER, STORM DRAIN, AND CULVERT PIPING USING STANDARD INSTALLATIONS."



TYPICAL TRENCH SECTION FOR GRAVITY STORM SEWER INSTALLATION

NO SCALE



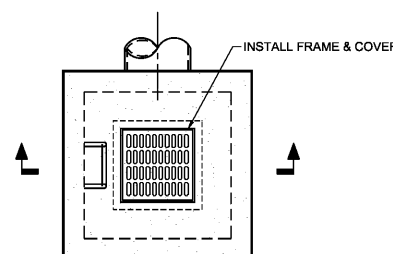
TYPICAL JOINT FOR RCP GRAVITY STORM SEWER INSTALLATION

NO SCALE

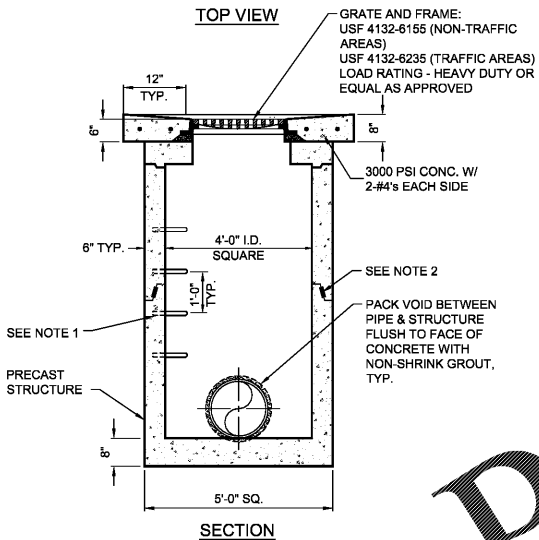
C1
C-603

C3
C-603

C4
C-603



TOP VIEW



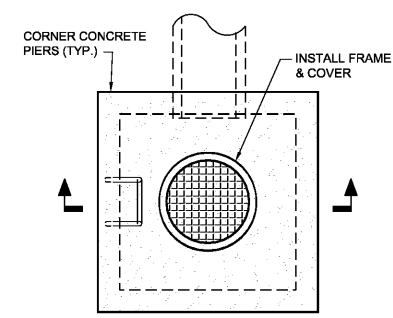
SECTION

- NOTES:
1. STRUCTURES LESS THAN 5 FT. IN HEIGHT (MEASURED FROM THROAT ELEVATION TO STRUCTURE BOTTOM) DO NOT REQUIRE STEPS.
 2. SEE SPECIFICATIONS FOR INFORMATION ON THE STEPS.
 3. IF HEIGHT OF STRUCTURE REQUIRES THAT IT BE CAST IN PIECES, SEAL JOINTS W/ CUT-OFF RAMNECK FLUSH W/ INSIDE OF WALLS & GROUT SECTIONS OF MANHOLE INSIDE & OUTSIDE & WIPE SMOOTH, TYP.
 4. FOR STRUCTURES WITH 36" & SMALLER PIPES, THE INSIDE DIMENSION SHALL BE 4" MIN. U.N.O. FOR STRUCTURES WITH LARGER THAN 36", THE INSIDE DIMENSION SHALL BE OUTSIDE DIAMETER OF PIPE PLUS 6" CLEARANCE EACH SIDE & ROUNDED UP TO THE NEAREST FOOT, U.N.O.
 5. STRUCTURES WITH HDPE PIPE SHALL BE ROUND AND SHALL HAVE A FLEXIBLE BOOT WITH STAINLESS STEEL CLAMP FOR THE PIPE-STRUCTURE JOINT CONNECTION.
 6. STRUCTURES SHALL HAVE A 12" SUMP.
 7. CONCRETE APPROX. NOT REQUIRED FOR STRUCTURES LOCATED IN LANDSCAPED (NON-TRAFFIC) AREAS.
 8. STRUCTURES WITH RCP PIPE SHALL BE CAST W/ BLOCKOUTS. KNOCK-OUT PANELS ARE NOT ACCEPTABLE.

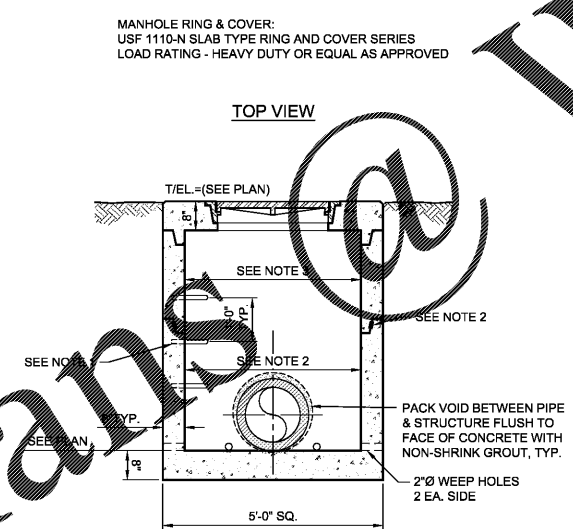
GRATE INLET DETAIL

NO SCALE

A1
C-603



TOP VIEW



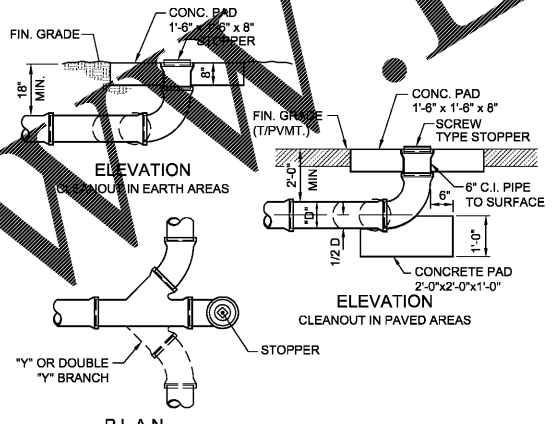
SECTION

- NOTES:
1. STRUCTURES LESS THAN 5 FT. IN HEIGHT (MEASURED FROM THROAT ELEVATION TO STRUCTURE BOTTOM) DO NOT REQUIRE STEPS.
 2. SEE SPECIFICATIONS FOR INFORMATION ON THE STEPS.
 3. IF HEIGHT OF STRUCTURE REQUIRES THAT IT BE CAST IN PIECES, SEAL JOINTS W/ CUT-OFF RAMNECK FLUSH W/ INSIDE OF WALLS & GROUT SECTIONS OF MANHOLE INSIDE & OUTSIDE & WIPE SMOOTH, TYP.
 4. FOR STRUCTURES WITH 36" & SMALLER PIPES, THE INSIDE DIMENSION SHALL BE 4" MIN. U.N.O. FOR STRUCTURES WITH LARGER THAN 36", THE INSIDE DIMENSION SHALL BE OUTSIDE DIAMETER OF PIPE PLUS 6" CLEARANCE EACH SIDE & ROUNDED UP TO THE NEAREST FOOT, U.N.O.
 5. STRUCTURES WITH HDPE PIPE SHALL BE ROUND AND SHALL HAVE A FLEXIBLE BOOT WITH STAINLESS STEEL CLAMP FOR THE PIPE-STRUCTURE JOINT CONNECTION.
 6. STRUCTURES SHALL HAVE A 12" SUMP.
 7. STRUCTURES WITH RCP PIPE SHALL BE CAST W/ BLOCKOUTS. KNOCK-OUT PANELS ARE NOT ACCEPTABLE.

PRECAST JUNCTION BOX DETAIL

NO SCALE

A2
C-603



CLEANOUT DETAILS

NO SCALE

B3
C-603

B4
C-603



CLIENT: AUGUSTA, GA
535 TELFAIR STREET, AUGUSTA, GA 30901

PROJECT NAME: FIRE STATION #2

PROJECT LOCATION: 928 TELFAIR ST., AUGUSTA, GA 30901



REV	DATE	BY	DESCRIPTION
0	10/29/18	WTB	ISSUED FOR PERMITTING

PROJECT NO.	3042.1604
DRAWN BY:	WTB
CHECKED BY:	WLD
DATE:	10/18/17
SHEET TITLE:	
CONSTRUCTION DETAILS - 3 OF 6	
SCALE:	AS NOTED
DRAWING NO.	C-603
REV.	0

This document is the property of Johnson, Laschober & Associates, P.C. The unauthorized reproduction, copying or otherwise use of this document is strictly prohibited and any infringement thereupon may be subject to legal action.