

Species	Rates per Acre	Rates per 1,000 sq. ft.	Planting Dates by Region		
			M-L	P	C
Berly	3 bu.	3.3 lb.	8/15-11/15	9/15-12/15	9/1-12/31
Dats	4 bu.	2.9 lbs.	9/1-11/30	9/1-11/30	9/1-11/30
Triticale	3 bu.	3.3 lbs.	---	---	9/15-1/31
Ryegrass, Annual	40 lbs.	0.9 lb.	8/1-4/30	8/1-4/15	8/15-3/31
Rye Grain (alone)	3.0 bu.	3.9 lb.	7/15-11/30	8/15-12/31	9/1-2/28
Rye Grain (in mixtures)	0.5 bu.	0.6 lb.	7/15-11/30	8/15-12/31	9/1-2/28
Lespedeza, Annual	40 lbs.	0.9 lb.	2/1-4/30	2/15-4/30	1/15-3/15
Weeping Lovegrass	4 lbs.	0.1 lb.	3/15-8/15	3/15-8/15	2/15-8/15
Sudangrass	60 lbs.	1.4 lb.	4/1-8/31	4/1-8/31	3/1-7/31
Millet, Browntop	40 lbs.	0.9 lbs.	4/1-8/30	4/1-7/15	4/1-7/15
Millet, Pearl	50 lbs.	1.1 lbs.	5/1-7/31	4/15-8/31	4/1-8/31
Wheat	3 bu.	4.1 lbs.	9/1-12/31	9/1-12/31	9/15-1/31

Types of Species	Planting Year	Fertilizer (N-P-K)	Rate (lbs./acre)	N Top Dressing Rate (lbs./acre)
Cool season grasses	First	6-12-12	1500	50-100
	Second Maintenance	6-12-12	1000	30
Cool season grasses & legumes	First	6-12-12	1500	0-50
	Second Maintenance	0-10-10	1000	---
Temporary cover crops seeded alone	First	10/10/10	500	30
	Second Maintenance	6-12-12	1500	50-100
Warm season grasses	First	6-12-12	800	50-100
	Second Maintenance	10-10-10	400	30

M-L represents the Mountain, Blue Ridge, and Ridge and Valley MLRA  
P represents the Southern Piedmont Region MLRA  
C represents the Southern Coastal Plain, Sand Hills, Black Lands, and Atlantic Coast Flatwoods MLRA

Species	Rate per Acre	Rates per 1,000 sq. ft.	Planting Dates by Region			Remarks
			M-L	P	C	
Bermuda, Common (Hulled seed) Alone	10 lbs.	0.2 lb.	---	3/1-8/30	2/15-8/30	Quick cover; low growing; sod forming; needs full sun.
With Perennials	6 lbs.	0.1 lb.	---	---	---	---
Bermuda, Common (Unhulled seed) With temporary cover	10 lbs.	0.2 lb.	---	10/1-2/28	11/1-1/31	Plant with Winter annuals.
With other perennials	6 lbs.	0.1 lb.	---	---	---	---
Bermuda Sprigs With temporary cover	40cu.ft.	0.8cu.ft.	3/15-7/15	3/15-7/31	1/1-12/31	1 cu. ft. = 650 sprigs; 1 bu. = 1.25 cu. ft. or 800 sprigs.

Types of Species	Planting Year	Fertilizer (N-P-K)	Rate (lbs./acre)	N Top Dressing Rate (lbs./acre)
Cool season grasses	First	6-12-12	1500	50-100
	Second Maintenance	6-12-12	1000	30
Cool season grasses & legumes	First	6-12-12	1500	0-50
	Second Maintenance	0-10-10	1000	---
Ground covers	First	10-10-10	1300	---
	Second Maintenance	10-10-10	1300	---
Pine seedlings	First	20-10-5	one 21-gram pellet per seedling placed in the closing hole	---
	Second Maintenance	10-10-10	1100	---
Shrub Lespedeza	First	0-10-10	700	---
	Second Maintenance	0-10-10	700	---
Temporary cover crops seeded alone	First	10-10-10	500	30
	Second Maintenance	6-12-12	1500	50-100
Warm season grasses	First	6-12-12	800	50-100
	Second Maintenance	10-10-10	400	30
Warm season grasses & legumes	First	6-12-12	1500	50
	Second Maintenance	0-10-10	1000	---

\* APPLY AGRICULTURAL LIME AS PRESCRIBED BY SOIL TESTS OR AT A RATE OF 1 TO 2 TONS PER ACRE

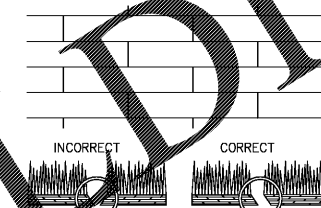
Material	Depth
Dry Straw Or Hay	2" To 4"
Wood Waste (sawdust, Bark, Chips)	2" To 3"
Crackback Asphalt (slow Curing)	1200 Gall./acre (1/4 Gall./sq. ft.)
Black Polyethylene Film	Completely Cover Area; Hold In Place With Soil On Outer Edge

Fertilizer Type	Fertilizer Rate (lbs/acre)	Fertilizer Rate (lbs/sq ft)	Season
18-10-10	1000	.025	Fall

Types of Species	Planting Year	Fertilizer (N-P-K)	Rate (lbs./acre)	Nitrogen Top Dressing Rate (lbs./acre)
cool season grasses	first	6-12-12	1500	50-100
	second maintenance	6-12-12	1000	30
warm season grasses	first	6-12-12	1500	50-100
	second maintenance	6-12-12	800	50-100

Grass	Varieties	Resource Area	Growing Season
Bermudagrass	Common Tifton Tifton	M-L, P, C P, C P, C	warm weather
Bahagrass	Pensacola	P, C	warm weather
Centipede	---	P, C	warm weather
St. Augustine	Common Bitterblue Raleigh	P, C P, C P, C	warm weather
Zoysia	Bernal Myer	P, C	warm weather
Tall Fescue	Kentucky	M-L, P	cool weather

### SOIL LAYOUT AND PREPARATION



SOOD IN A STAGGERED PATTERN. BUTT THE STRIPS TIGHTLY AGAINST EACH OTHER. DO NOT LEAVE SPACES AND DO NOT OVERLAP. A SHARPENED MASON'S TROWEL IS A HANDY TOOL FOR TUCKING DOWN THE ENDS AND TRIMMING PIECES.

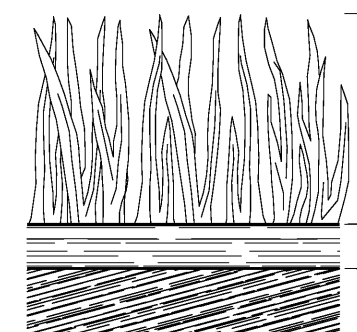


BUTTING: ANGLED ENDS CAUSED BY THE AUTOMATIC SOOD CUTTER MUST BE MATCHED CORRECTLY.

### DIRECTIONS FOR INITIAL MAINTENANCE

- Step 1. ROLL SOD IMMEDIATELY TO ACHIEVE FIRM CONTACT WITH THE SOIL
- Step 2. WATER TO A DEPTH OF 4" AS NEEDED. WATER WELL AS SOON AS THE SOD IS LAID.
- Step 3. MOW WHEN THE SOD IS ESTABLISHED -- IN 2-3 WEEKS. SET THE MOWER HIGH (2"-3").

### APPEARANCE OF GOOD SOD



SHOOTS OR GRASS BLADES: GRASS SHOULD BE GREEN AND HEALTHY, MOWED AT A 2"-3" CUTTING HEIGHT.

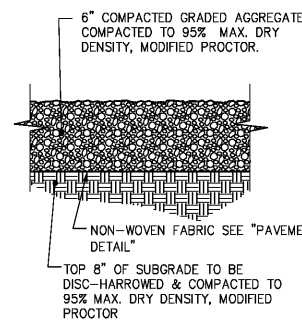
THATCH: GRASS CLIPPINGS AND DEAD LEAVES (UP TO 1/2" THICK).

ROOT ZONE: SOIL AND ROOTS. SHOULD BE 1/2"-3/4" THICK WITH DENSE ROOT MAT FOR STRENGTH.

### SOD MAINTENANCE AND INSTALLATION

### Ds4 PERMANENT GRASSING - SOD

NO SCALE



### Cr CONSTRUCTION ROAD STABILIZATION

NO SCALE

### Ds2 TEMPORARY GRASSING

- ALL SEEDING AREAS WILL BE MULCHED WITH HAY OR STRAW AT A RATE OF 2-2 1/2 TONS PER ACRE WITHIN 24 HRS. AFTER SEEDING. USE OF A TACKIFIER IS REQUIRED ON ALL SLOPES EXCEEDING 3:1.
- GRASSING WILL BE ACCEPTED WHEN A 95% COVER BY PERMANENT GRASSING IS OBTAINED AND WEEDS ARE NOT DOMINANT.
- GRASSING OF DISTURBED AREAS WILL COMMENCE AT COMPLETION OF EACH PHASE OF CONSTRUCTION OR IN THE SEQUENCE AS INDICATED. IN ANY CASE, GRASSING OF ANY DISTURBED AREA WILL

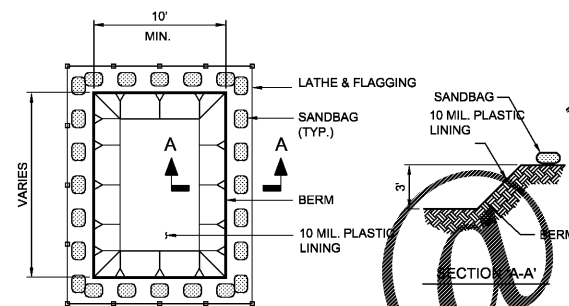
### Ds3 PERMANENT GRASSING

- IRRIGATION WILL BE APPLIED AT A RATE THAT WILL NOT CAUSE RUNOFF.
- TOPDRESSING WILL BE APPLIED ON ALL TEMPORARY & PERMANENT SPECIES PLANTED ALONE OR IN MIXTURES WITH OTHER SPECIES.
- PERMANENT GRASSING SHALL BE IRRIGATED AND MAINTAINED. BERMUDA GRASS MAY BE MOWED AS DESIRED MAINTAINING AT LEAST 4 TO 6 INCHES OF TOP GROWTH.

### Ds1 MULCHING

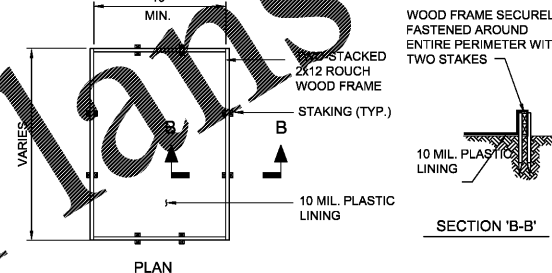
### GRASSING, FERTILIZATION & MULCH

NO SCALE



### "BELOW GRADE" TYPE

NO SCALE



### "ABOVE GRADE" TYPE

NO SCALE

NOTES:

- CONTRACTOR MUST PROVIDE A DESIGNATED AREA FOR CONCRETE WASHDOWN OF TOOLS, CONCRETE MIXER CHUTES, AND THE REAR OF THE VEHICLES. THIS AREA MUST HAVE A CONCRETE WASHOUT FACILITY AND SHALL BE CONSTRUCTED PER THE DETAIL SHOWN ABOVE.
- THE CONCRETE WASHOUT FACILITY SHALL BE LOCATED AT A MINIMUM OF 50 FEET FROM STORM DRAINS, OPEN DITCHES, OR WATER BODIES.
- WASHOUT DISCHARGE FROM THE CLEANING OF CONCRETE TRUCKS, TOOLS AND OTHER EQUIPMENT SHALL BE TRANSPORTED OFF-SITE AND DISPOSED OF PROPERLY.
- IT IS PROHIBITED TO WASH OUT THE MIXING DRUM OF CONCRETE TRUCKS ON-SITE.
- ACTUAL LAYOUT CAN BE DETERMINED IN FIELD OR AS SHOWN IN PLAN.
- CONCRETE WASHOUT SIGN SHALL BE PROVIDED WITHIN 30' OF THE CONCRETE WASHOUT FACILITY.

### CWM CONCRETE WASTE MANAGEMENT

NO SCALE

CLIENT: AUGUSTA, GA  
535 TELFAIR STREET, AUGUSTA, GA 30601

### FIRE STATION #2

PROJECT LOCATION: 928 TELFAIR ST., AUGUSTA, GA 30601



PROJECT NO. 3042.1604  
DRAWN BY: DRWN  
CHECKED BY: CHK  
DATE: 10/18/17

### E.S.P.C. NOTES & DETAILS - 2 OF 5

SCALE: AS NOTED

DRAWING NO. C-505

REV. 0

**GSWCC** GEORGIA SOIL AND WATER CONSERVATION COMMISSION  
**WILLIAM T. BUCHANAN**  
Level II Certified Design Professional  
CERTIFICATION NUMBER: 0000065516  
ISSUED: 1/25/2018 EXPIRES: 1/25/2021