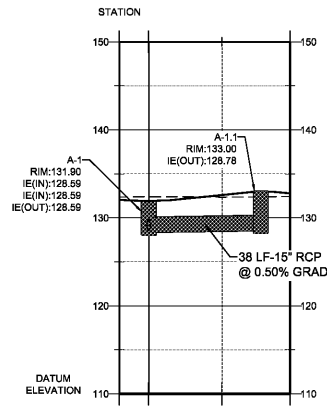


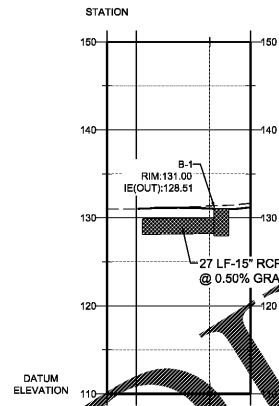
C/L SD-A (STR A-0 - A-3) PROFILE

SCALE: HOR: 1" = 30'
VER: 1" = 10'



C/L SD-A (STR A-1 - A-1.1) PROFILE

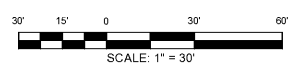
SCALE: HOR: 1" = 30'
VER: 1" = 10'



C/L SD-B (STR EX - B-1) PROFILE

SCALE: HOR: 1" = 30'
VER: 1" = 10'

PROFILE SHEET



UTILITY WARNING:
The underground utilities shown have been located from field survey information and existing drawings. The engineer makes no guarantee that the underground utilities shown comprise all such utilities in the area, either in service or abandoned. The engineer further does not warrant that the underground utilities shown are in the exact location indicated although he does certify that they are located as accurately as possible from information available. The engineer has not physically located the underground utilities.

UTILITIES PROTECTION CENTER
GEORGIA811
www.georgia811.com
www.what's below.
Call before you dig.
THREE WORKING DAYS BEFORE YOU DIG
(GEORGIA - 1-800-282-7411)

1980
Architects • Engineers • Landscape Architects
JOHNSON, LASCHOBER & ASSOCIATES, P.C.
1001 TOLSON BLVD., SUITE 1000 • MT. PLEASANT, SC 29526
TEL: (803) 724-5756 • TEL: (843) 619-4656
FAX: (803) 724-3935
WWW.THEJLAGROUP.COM

CLIENT: AUGUSTA, GA
535 TELFAIR STREET, AUGUSTA, GA 30601

PROJECT NAME: **FIRE STATION #2**

PROJECT LOCATION: 928 TELFAIR ST., AUGUSTA, GA 30601



REV	DATE	BY	DESCRIPTION
0	10/29/18	WTL	ISSUED FOR PERMITTING

PROJECT NO. 3042.1604
DRAWN BY: DRWN
CHECKED BY: CHK
DATE: 10/18/17

PROFILE SHEET

SCALE: 1" = 30'

DRAWING NO. **C-401** REV. **0**

Order Plans @ www.LDILine.com

This document is the property of Johnson, Laschober & Associates, P.C. The unauthorized reproduction, copying or otherwise use of this document is strictly prohibited and any infringement thereupon may be subject to legal action.