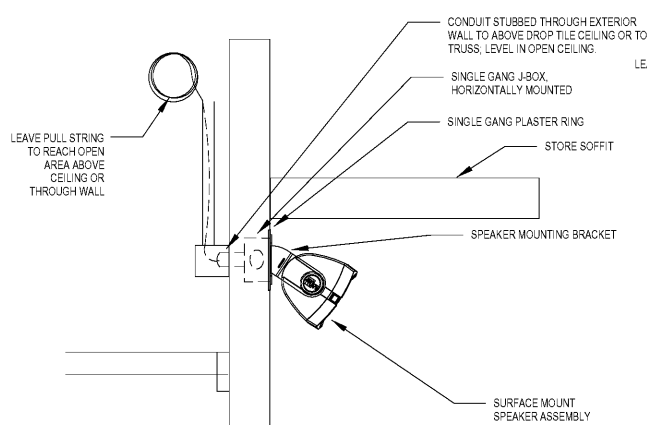
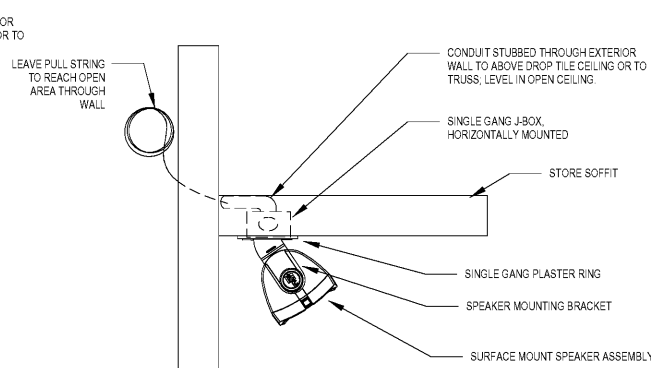
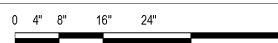


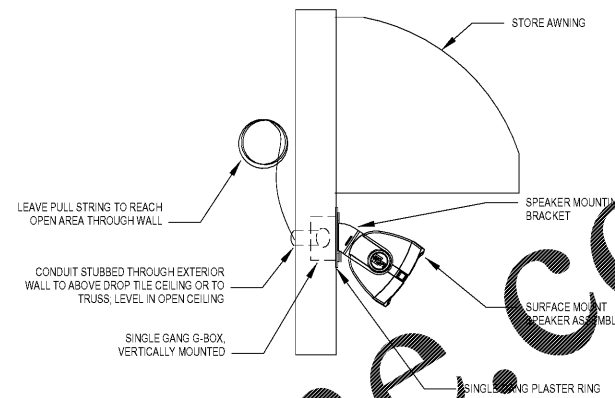
1A SURFACE MOUNTED SPEAKER INSTALLATION DETAIL
SCALE: 1 1/2" = 1'-0"



1B SURFACE MOUNTED SPEAKER INSTALLATION DETAIL
SCALE: 1 1/2" = 1'-0"



1C SURFACE MOUNTED SPEAKER INSTALLATION DETAIL
SCALE: 1 1/2" = 1'-0"



1D SURFACE MOUNTED SPEAKER INSTALLATION DETAIL
SCALE: 1 1/2" = 1'-0"



1A

1B

1C

1D

AUDIO SYSTEM INSTALLATION OVERVIEW:

INSTALLER - DELIVERY AND INSTALLATION

ALL AUDIO SYSTEM COMPONENTS WILL BE SHIPPED DIRECTLY TO YOU, OUR CERTIFIED PLAYNETWORK SYSTEMS INTEGRATOR. YOU ARE RESPONSIBLE FOR ENSURING THAT ALL MATERIALS HAVE ARRIVED AND ARE IN GOOD WORKING ORDER PRIOR TO INSTALLATION ON SITE. YOU ARE REQUIRED TO SUPPLY THE NECESSARY LABOR AND MATERIALS TO COMPLETE THE INSTALLATION IN A TIMELY AND PROFESSIONAL MANNER.

AS THE PLAYNETWORK SYSTEMS INTEGRATOR YOU ARE RESPONSIBLE FOR SCHEDULING AND INTEGRATING ALL WORK WITH OTHER TRADES AND PERSONNEL AT THE JOB SITE AS WELL AS IMPLEMENTING PROFESSIONAL WORK HABITS AND PRACTICES ON THE JOBSITE.

SCHEDULE

PLEASE REVIEW THE ESTIMATED TIME LINE (KEY DATES) FOR THE AUDIO INSTALLATION WITH YOUR PLAYNETWORK INSTALLATION MANAGER. IF ANY KEY DATES MOVE PER YOUR CONVERSATIONS WITH SITE PERSONNEL YOU MUST NOTIFY THE PLAYNETWORK INSTALLATION MANAGER.

AS THE PLAYNETWORK SYSTEMS INTEGRATOR, YOU SHOULD MAKE CONTACT WITH THE GC ON-SITE TO CONFIRM THE INSTALLATION DATES AND SCHEDULE.

SEE SITE READINESS CRITERIA WORKSHEET OF THE AUDIO SYSTEM INSTALLATION MANUAL PROVIDED BY PLAYNETWORK. IT IS THE RESPONSIBILITY OF THE GENERAL CONTRACTOR TO ENSURE THE SITE CONDITIONS MEET ALL CRITERIA DESCRIBED IN THE SITE READINESS CRITERIA FORM FOR EACH PHASE OF THE INSTALLATION. IF ANY OF THE ITEMS LISTED ON THE SITE READINESS FORM ARE NOT COMPLETED WHEN YOU ARRIVE ON SITE, PLEASE NOTIFY THE PLAYNETWORK INSTALLATION MANAGER IMMEDIATELY.

1. PRE-INSTALLATION

REVIEW THE EQUIPMENT LIST AND JOB DOCUMENTATION SENT BY THE PLAYNETWORK INSTALLATION MANAGER. NOTIFY THE INSTALLATION MANAGER IMMEDIATELY IF THERE ARE ANY ISSUES REGARDING MISSING OR DAMAGED EQUIPMENT. THIS SHOULD BE DONE AS THE EQUIPMENT ARRIVES SO THAT PLAYNETWORK IS ABLE TO TRACK ANY MISSING ITEMS BEFORE THE SCHEDULED INSTALLATION DATE.

REVIEW PLACEMENT OF ALL COMPONENTS (SPEAKERS, HEAD-END EQUIPMENT, ETC.) WITH INSTALLATION TEAM BEFORE YOU BEGIN THE SYSTEM INSTALLATION.

2. PREWIRE

PLAYNETWORK SYSTEMS INTEGRATOR SHOULD MAKE CONTACT WITH THE GC ON-SITE TO CONFIRM THE INSTALLATION DATES AND SCHEDULE. CONFIRM THE FOLLOWING DETAILS WITH THE GENERAL CONTRACTOR AND ELECTRICIAN:

- LOCATION FOR POWER, LOW VOLTAGE J-BOXES AND CONDUIT AT THE HEAD-END EQUIPMENT LOCATION
- LOCATIONS FOR ALL REQUIRED LOW VOLTAGE J-BOXES FOR THE VOLUME CONTROLS
- GIVE DETAILED INSTRUCTIONS TO GC FOR PAINTING GRILLS FOR FLUSH MOUNT SPEAKERS (IF APPLICABLE)
- PERFORM THE FOLLOWING:
 - INSTALL ALL CABLING FOR THE SPEAKERS AS SHOWN ON THE PLAYNETWORK AUDIO SYSTEM LAYOUT - SHEET P1 01
 - INSTALL ALL CABLING FOR THE REMOTES AS SHOWN ON THE PLAYNETWORK AUDIO SYSTEM LAYOUT - SHEET P3 01
 - INSTALL THE PRE-INSTALLATION TRIM RINGS FOR ANY EXPOSED SPEAKERS THAT WILL BE LOCATED IN A GYW OR HARD-LID CEILING AREA

3. INSTALLATION - AV EQUIPMENT

REFER TO PLAYNETWORK SHOP DRAWING LAYOUT SHEETS FOR ADDITIONAL INFORMATION.

- DETERMINE LOCATION AND INSTALL ALL SPEAKERS AS SHOWN ON THE PLAYNETWORK AUDIO SYSTEM LAYOUT - SHEET P1 01
- DETERMINE LOCATION AND INSTALL ALL VOLUME CONTROLS AS SHOWN ON THE AUDIO SYSTEM LAYOUT - SHEET P1 01
- INSTALL THE HEAD-END EQUIPMENT AND MAKE ALL WIRING TERMINATIONS AS SHOWN ON THE AV SYSTEM WIRING DIAGRAM - SHEET P3 01
- IMPLEMENT SYSTEM DIGITAL PROCESSING OF SPEAKERS AS DESCRIBED IN THIS MANUAL (SEE SYSTEM BALANCING)
- LABEL AND TEST NETWORK CABLING

4. CLEAN-UP

- ANY MESS CREATED DURING INSTALL MUST BE CLEANED BEFORE LEAVING THE JOBSITE, REGARDLESS OF THE EXISTING CONDITION OR CLEANLINESS OF THE JOBSITE
- REMOVE ALL PLAYNETWORK GENERATED CARDBOARD BOXES, PLASTIC BAGS, PACKING, ETC. FROM THE JOBSITE BEFORE LEAVING
- LARGE DROP-CLOTHS MAY BE NECESSARY TO COVER MERCHANTSSE OR FIXTURES WHILE WORKING ABOVE
- A SHOP-VAC SHOULD BE UTILIZED FOR CLEANING THE AREA AROUND THE HEAD-END EQUIPMENT TO REMOVE GYPSUM DUST, WIRE STRIPPING, LINT, ETC.
- ALL EQUIPMENT (SPEAKERS, CONTROLS, RACK, ETC.) MUST BE WIPED CLEAN OF DUST AND FINGERPRINTS

5. DOCUMENTATION AND PHOTOS

THE SOUND SYSTEM LAYOUT (P1 01), VIDEO SYSTEM LAYOUT (P1 01), AV SYSTEM WIRING DIAGRAM (P3 01, P3 02, P3 03) AND THIS INSTALLATION MANUAL MUST BE FOLLOWED DURING THE INSTALL. IF ANY ASPECTS OF THE INSTALLATION DIFFER FROM THE INFO SHOWN IN THE PROVIDED DOCUMENTATION, NOTIFY THE PLAYNETWORK INSTALLATION MANAGER.

6. COMMUNICATION

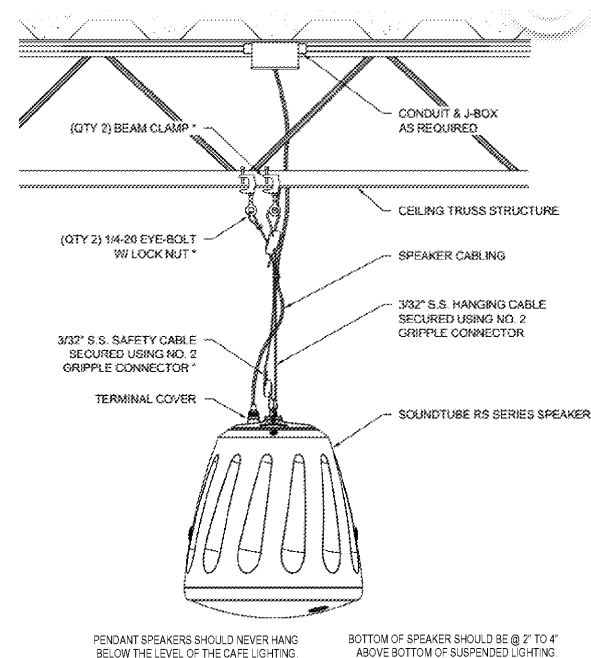
- CALL THE PLAYNETWORK INSTALLATION MANAGER WITH ANY QUESTIONS AT 425.629.2783
- UPON COMPLETION OF THE JOB, THE PLAYNETWORK INSTALLATION MANAGER MUST RECEIVE ALL DOCUMENTATION LISTED ON THE DOCUMENTATION COMPLETION CHECKLIST. PAYMENT WILL NOT BE MADE WITHOUT THE RETURN OF ALL REQUIRED DOCUMENTATION

7. POST-INSTALLATION

- TRAIN THE STORE MANAGEMENT ON THE OPERATION AND FUNCTIONALITY OF THEIR NEW SYSTEM
- TAKE PHOTOS OF ALL COMPLETED WORK
- GET SIGN-OFF FROM THE ON-SITE CLIENT REPRESENTATIVE

4A

PENDANT MOUNTED SPEAKER DETAIL
SCALE: N.T.S.

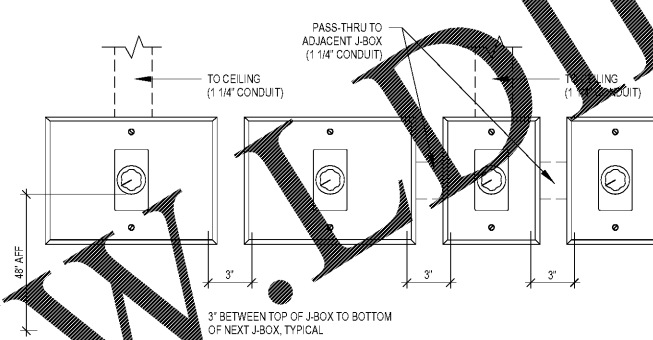


PENDANT SPEAKERS SHOULD NEVER HANG BELOW THE LEVEL OF THE CAPE LIGHTING. BOTTOM OF SPEAKER SHOULD BE @ 2' TO 4' ABOVE BOTTOM OF SUSPENDED LIGHTING.

4A

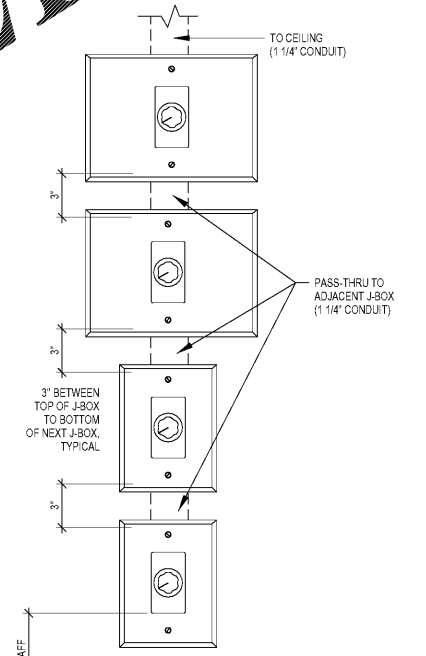
3A HORIZONTAL INSTALLATION DETAIL
(HORIZONTAL INSTALLATION IS PREFERRED)

VOLUME CONTROL DETAIL
SCALE: N.T.S.



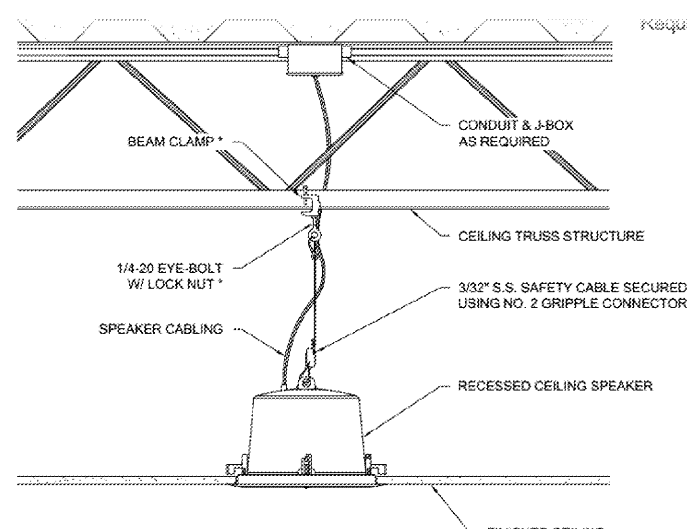
3B

VOLUME CONTROL DETAIL
SCALE: N.T.S.



4B

RECESSED SPEAKER DETAIL
SCALE: N.T.S.



2 BOH IT / AV RACK DETAILS
SCALE: 3\"/>

AUDIO SYSTEM INSTALLATION NOTES

1. ALL WIRE/CABLING UTILIZED FOR THE AUDIO-VIDEO SYSTEM IS TO BE PLENUM RATED.
2. ALL WIRE/CABLE RUNS, WHICH ARE NOT REQUIRED TO RUN THROUGH CONDUIT, MUST BE NEATLY SECURED TO THE STRUCTURE UTILIZING BRIDLE RINGS, APPROPRIATE COLORED CABLE TIES OR INDUSTRY STANDARD WIRE-STAPLES.
3. ANY WIRE/CABLE THAT IS VISIBLE UPON THE COMPLETION OF THE INSTALL MUST BE THE APPROPRIATE COLOR TO MATCH THE FINISH OF THE STRUCTURE AND EQUIPMENT GRILLS (I.E. BLACK OPEN STRUCTURE CEILING = BLACK SPEAKERS, BLACK CABLE AND BLACK CABLE TIES).
4. WIRE/CABLE PASS-THROUGH HOLES SHOULD BE JUST LARGE ENOUGH TO ALLOW WIRE/CABLE TO PASS THROUGH IT WITHOUT FRAYING THE CABLE JACKET. CABLE PASS-THROUGH HOLES FOR SURFACE MOUNTED SPEAKERS SHOULD NOT EXCEED 3/8\"/>

