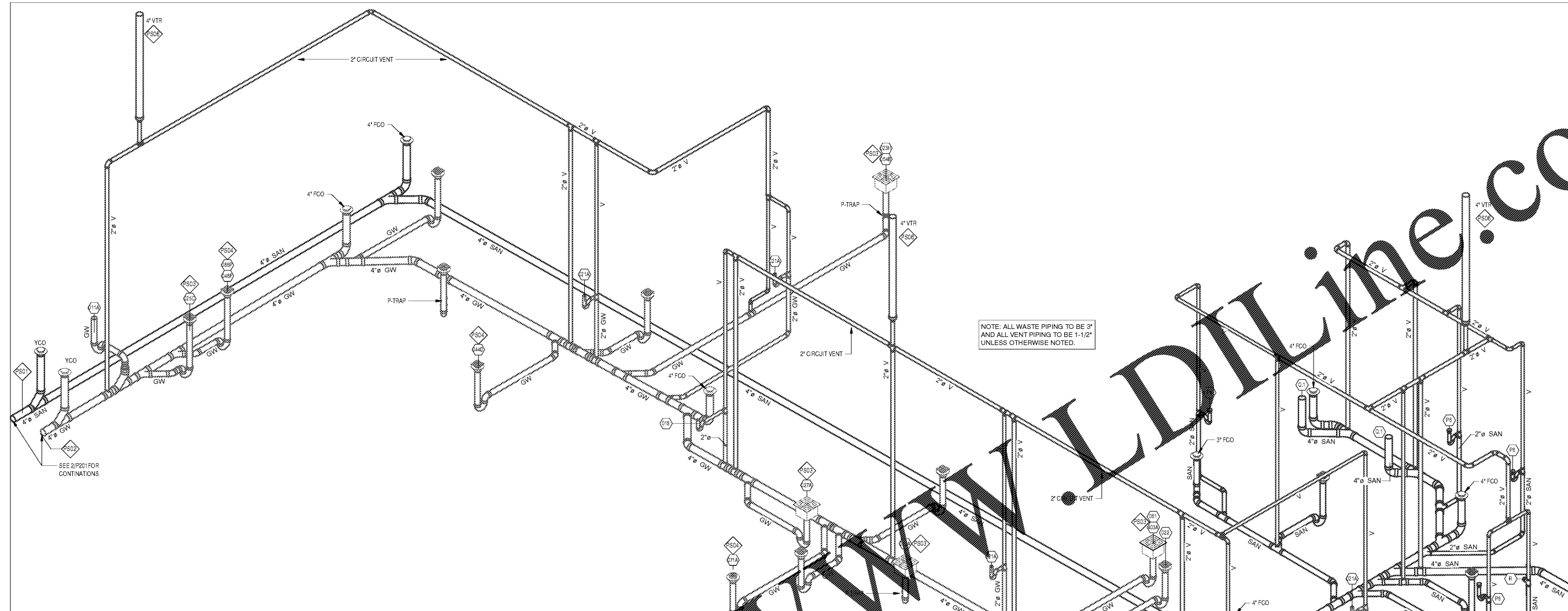


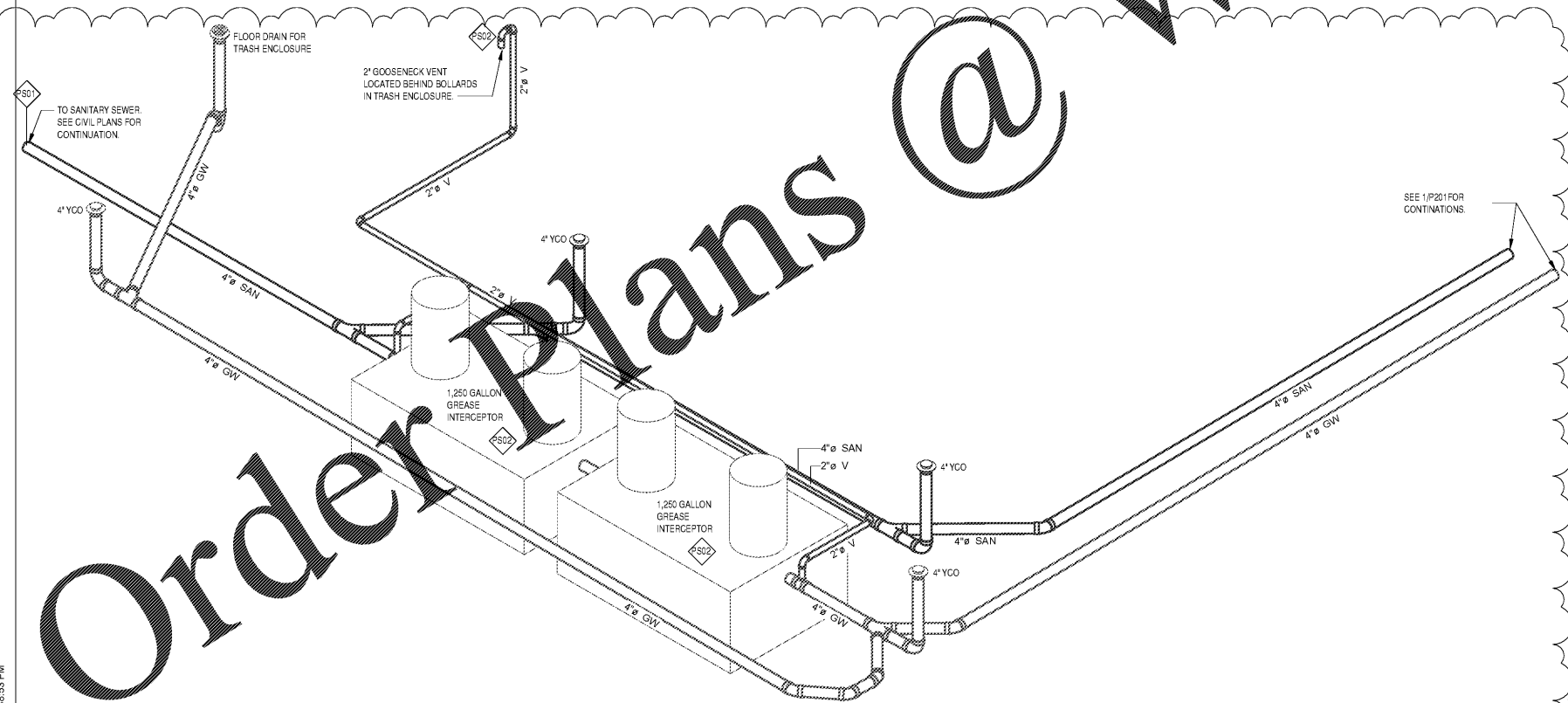


Engineering Consultant

William J. Akers
383 Maplewood
St. Louis, MO 63119
Phone (314) 772-1792
Fax (314) 577-2500



1 WASTE RISER DIAGRAM 1



2 WASTE RISER DIAGRAM 2

Order Plans @

PS# PLUMBING - SANITARY KEYED NOTES

- PS01 MAKE ARRANGEMENTS WITH LOCAL UTILITY FOR A NEW MINIMUM 4" SANITARY LINE TO THE PREMISES (MINIMUM OF 36" B.F.F.). FIELD VERIFY EXACT LOCATION AND INVERT ELEVATION OF POINT OF CONNECTION PRIOR TO COMMENCING WORK. SEE CIVIL DRAWINGS FOR CONTINUATION.
- PS02 PROVIDE AND INSTALL A QUANTITY OF TWO 1,250 GALLON GREASE INTERCEPTORS AS SPECIFIED IN THE PLUMBING FIXTURE SCHEDULE ON SHEET P103 AND VENT AS REQUIRED PER CODE. EXTEND 4" GREASE WASTE LINE FROM INTERCEPTORS TO 4" SANITARY LINE TO THE PREMISES. FIELD VERIFY EXACT LOCATION AND INVERT ELEVATION OF POINT OF CONNECTION PRIOR TO COMMENCING WORK. SEE CIVIL DRAWINGS FOR CONTINUATION AND PROPOSED GREASE INTERCEPTOR LOCATIONS. SEE DETAIL LOCATED ON SHEET PS01.
- PS03 EXTEND INDIRECT WASTE TO RECEPTACLE. FIELD VERIFY EXACT ROUTING OF PIPING.
- PS04 EXTEND DRAIN LINES FROM FREEZER, COOLER, OVEN, AND PROOFER TO WASTE RECEPTACLE LOCATED NEARBY. FIELD VERIFY EXACT ROUTING OF PIPING.
- PS06 EXTEND VENTS THROUGH ROOF SUCH THAT MINIMUM 10' CLEARANCE TO AIR INTAKES IS MAINTAINED.

ISSUE FOR REVIEW

Bakery Cafe #6119
6351 MANATEE AVE. W.,
BRADENTON, FL 34209



NO.	DESCRIPTION	DATE
1	Building Department Comments	12-11-18

WASTE RISER DIAGRAM

Project Number: _____ Sheet Number: _____

449-18
 Drawn: CLL Checked: CSH
 Issue Date: 10/01/18
 DPM: DM: CPM
 BS: DM: ME

P201