

TYPE II HOOD FOR DISHWASHER

HOOD INFORMATION - Job#1855987

HOOD NO.	TAG	MODEL	LENGTH	MAX. COOKING TEMP.	TOTAL EXH. CFM	EXHAUST PLENUM					HOOD CONSTRUCTION	HOOD CONFIG.	
						WIDTH	LENG.	DIA.	CFM	S.P.		END TO END	ROW
1		4224 VHB-G	4' 0.00"	700 Deg.	400			10"	400	-0.040"	304 SS	ALONE	ALONE

HOOD INFORMATION

HOOD NO.	TAG	FILTER(S)			LIGHT(S)			UTILITY CABINET(S)			FIRE SYSTEM PIPING	HOOD HANGING WGT	
		TYPE	QTY.	HEIGHT	LENGTH	QTY.	TYPE	WIRE GUARD	LOCATION	FIRE SYSTEM TYPE			ELECTRICAL SIZE
1												NO	169 LBS

HOOD OPTIONS

HOOD NO.	TAG	OPTION
1		FIELD WRAPPER 16.00" High Front, Left, Right

EXHAUST FAN INFORMATION - Job#1855987

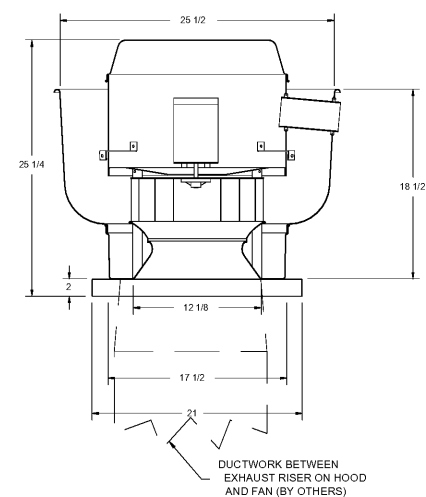
FAN UNIT NO.	TAG	FAN UNIT MODEL #	CFM	ESP.	RPM	H.P.	VOLT	FLA	WEIGHT (LBS.)	SONES
1		DU30HFA	400	0.500	1124	0.250	1	115	4.0	59

CURB ASSEMBLIES

NO.	ON FAN	WEIGHT	ITEM	SIZE
1	#1	30 LBS	Curb	19.500"W x 19.500"L x 22.000"H Vented

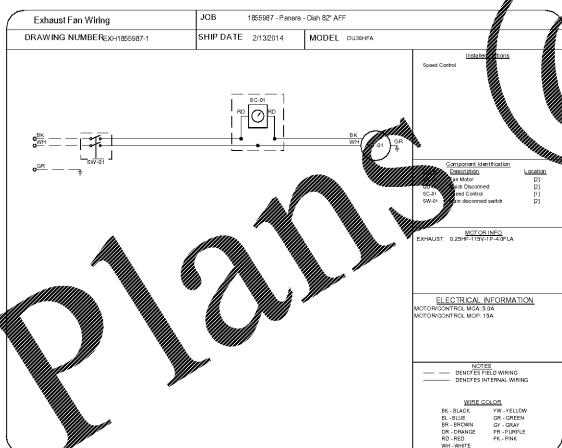
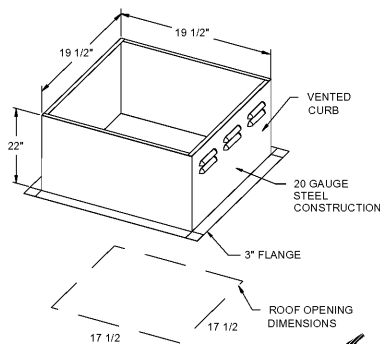
NOTE:  
HOOD, EXHAUST FAN & CURB ARE SUPPLIED BY OWNER AND INSTALLED BY CONTRACTOR.  
DUCT WORK IS SUPPLIED AND INSTALLED BY CONTRACTOR

FAN #1 DU30HFA - EXHAUST FAN

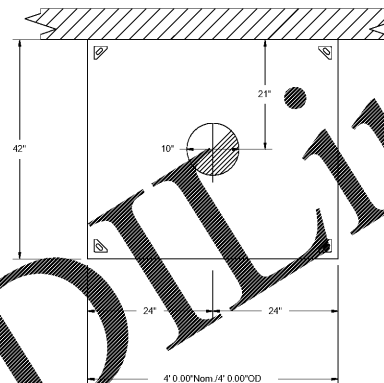


FEATURES:

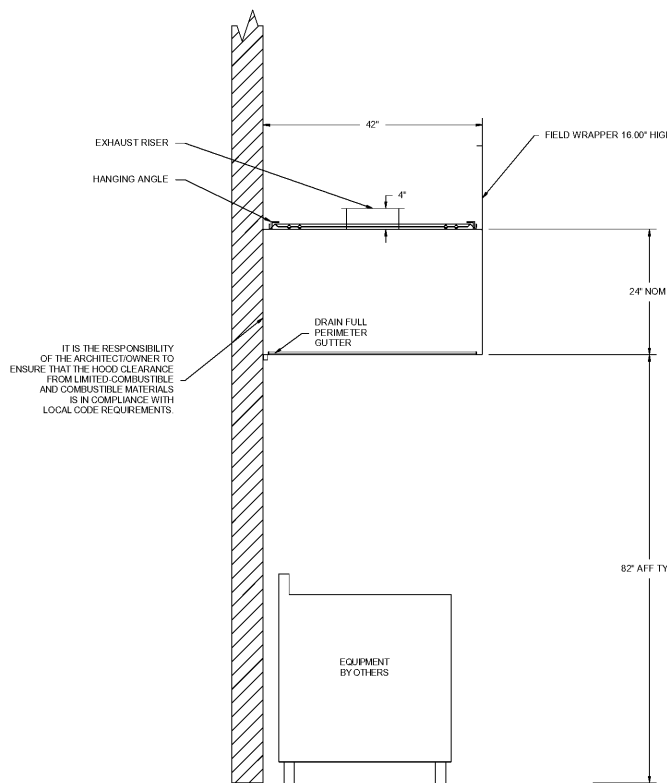
- ROOF MOUNTED FANS
  - RESTAURANT MODEL
  - UL705 AND UL762
  - VARIABLE SPEED CONTROL
  - INTERNAL WIRING
  - WEATHERPROOF DISCONNECT
  - THERMAL OVERLOAD PROTECTION (SINGLE PHASE)
  - HIGH HEAT OPERATION 300°F (149°C)
  - GREASE CLASSIFICATION TESTING
- NORMAL TEMPERATURE TEST**  
EXHAUST FAN MUST OPERATE CONTINUOUSLY WHILE EXHAUSTING AIR AT 300°F (149°C) UNTIL ALL FAN PARTS HAVE REACHED THERMAL EQUILIBRIUM AND WITHOUT ANY DETRIMENTAL EFFECTS TO THE FAN WHICH WOULD CAUSE UNSAFE OPERATION.
- ABNORMAL FLARE-UP TEST**  
EXHAUST FAN MUST OPERATE CONTINUOUSLY WHILE EXHAUSTING BURNING GREASE VAPORS AT 600°F (316°C) FOR A PERIOD OF 15 MINUTES WITHOUT THE FAN BECOMING DAMAGED TO ANY EXTENT THAT COULD CAUSE AN UNSAFE CONDITION.



FOR QUESTIONS, CALL  
CAPTIVE-AIRE  
2221 KANSAS AVENUE  
SILVER SPRING, MD 20910  
PHONE: (800) 988-0881  
FAX: (919) 227-6531



PLAN VIEW - Hood #1  
4' 0.00" LONG 4224VHB-G



SECTION VIEW - MODEL 4224VHB-G  
HOOD - #1

**CAPTIVE-AIRE**

Panera - Dish 82" AFF

2/13/2014

1855987

AJP-32

NTS

MASTER DRAWING

1

Bakery-Cafe:

#6119



William J. Akers  
383 Maplewood  
St. Louis, MO 63119  
Phone: (314) 772-1782  
Fax: (314) 577-2500

Engineering Consultant

ISSUE FOR REVIEW

**Bakery Cafe #6119**

6351 MANATEE AVE. W,  
BRADENTON, FL 34209



NO.	DESCRIPTION	DATE

DETAILS

Project Number: 449-18  
Sheet Number: M303  
Drawn: AGC  
Checked: MG  
Issue Date: 10/01/18  
DPM: DM: CPM:  
BS: DM: ME