



Bakery Cafe #6119
6315 MANATEE AVE W
BRADENTON, FL 34209

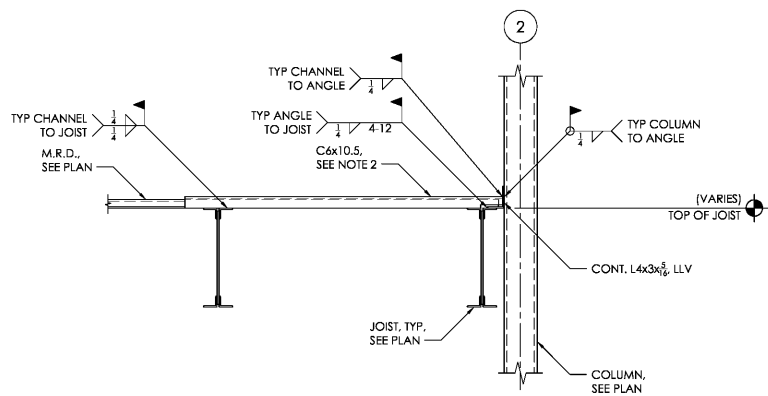


No.	Description	Date

WALL SECTIONS

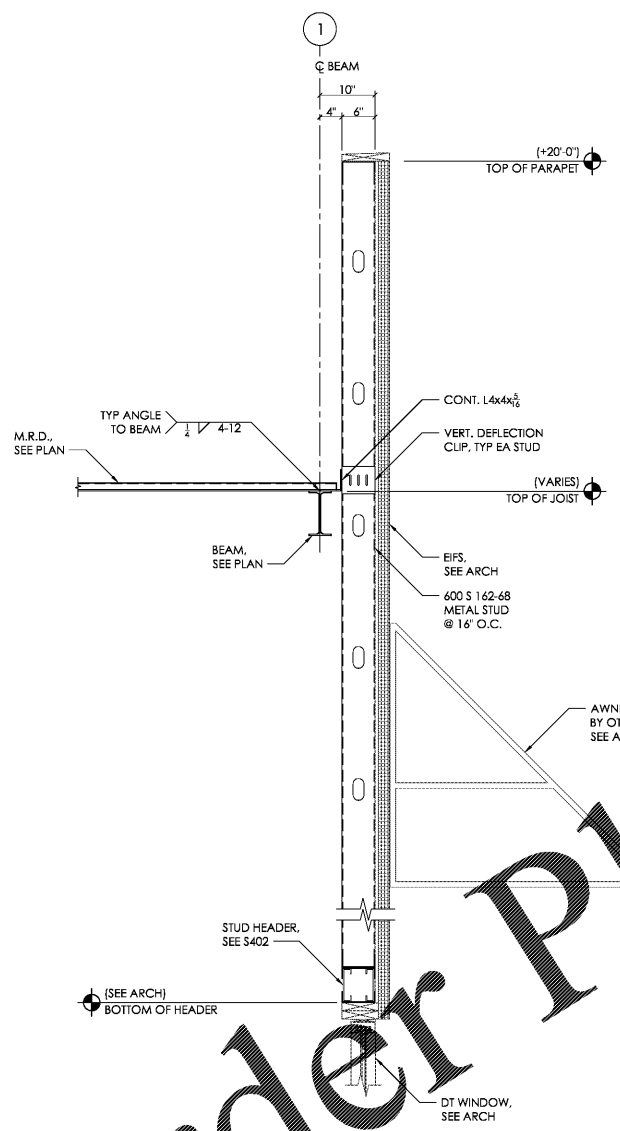
Project Number: 6119
 Drawn By: KMR
 Issue Date: 10.31.18
 DPM: J.R. DM: H.R. CPM: R.K.

S506



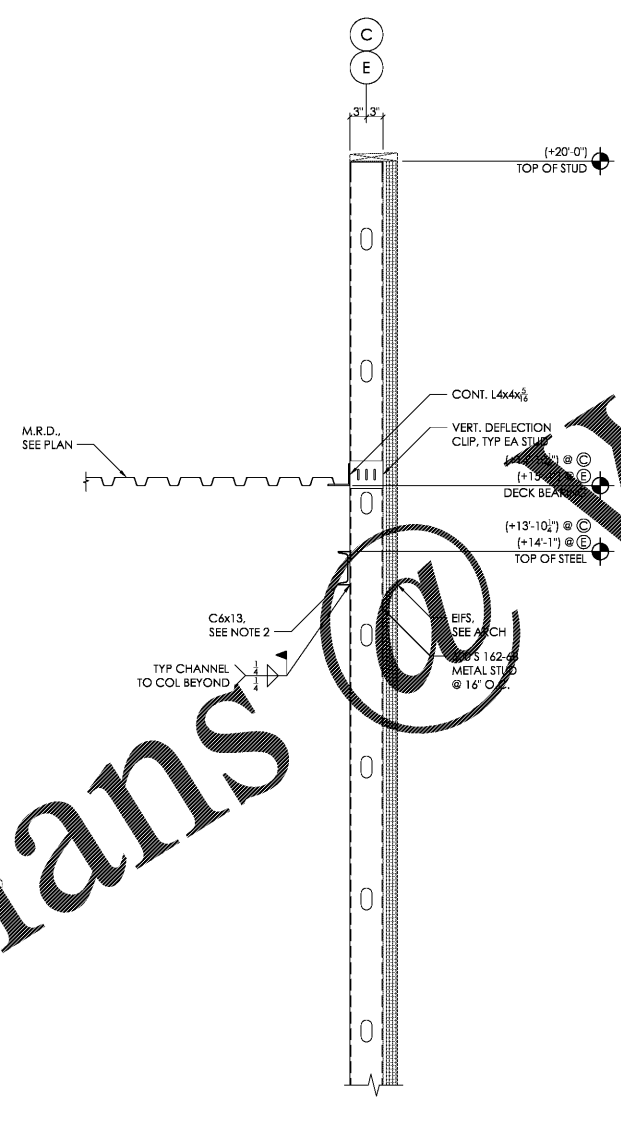
NOTES:
 1.) SEE WALL SECTIONS ON SHEETS S506 FOR INFORMATION NOT SHOWN.
 2.) INSTALL C6 OVER METAL ROOF DECK.
 SHOP COPE END OF C6 TO AVOID INTERFERENCE WITH EDGE ANGLE.

5/S506 COLUMN TIE DETAIL
 3/4" = 1'-0"



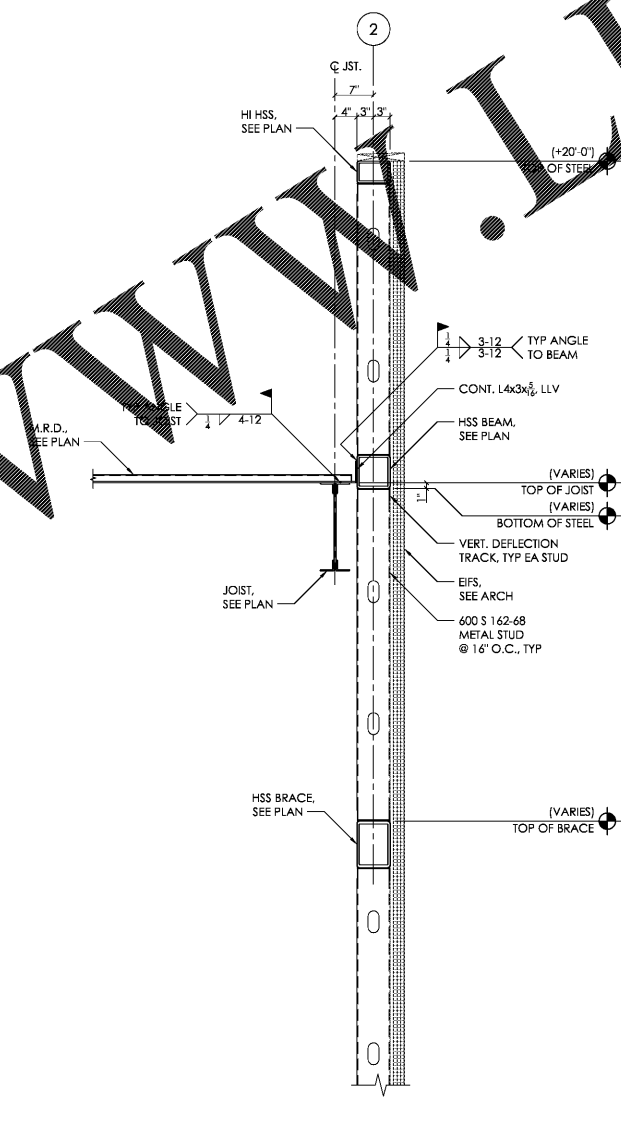
NOTES:
 1.) DO NOT ATTACH METAL STUD TO BOTTOM FLANGE OF BEAM.
 2.) ATTACH DECK TO EDGE ANGLE W/ 3/8" PUDDLE WELDS @ 6' O.C.
 3.) ATTACH AWNING TO STRUCTURE PER MANUFACTURER'S RECOMMENDATIONS.

1/S506 SIDE WALL SECTION @ DRIVE THRU
 3/4" = 1'-0"



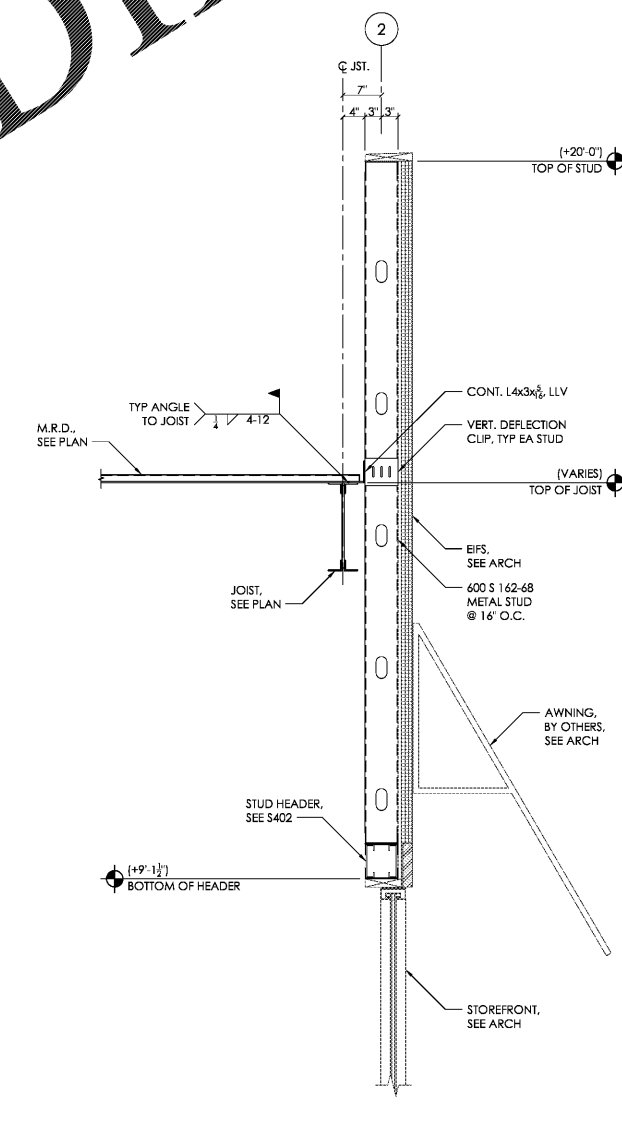
NOTES:
 1.) ATTACH DECK TO EDGE ANGLE W/ 3/8" PUDDLE WELDS @ 6' O.C.
 2.) EXTEND CHANNEL TO (2) ADJACENT COLUMNS.

2/S506 DRIVE THRU SIDE WALL SECTION
 3/4" = 1'-0"



NOTES:
 1.) DO NOT ATTACH METAL STUD TO BOTTOM FLANGE OF JOIST.
 2.) ATTACH DECK TO EDGE ANGLE W/ 3/8" PUDDLE WELDS @ 6' O.C.

3/S506 SIDE WALL SECTION
 3/4" = 1'-0"



NOTES:
 1.) DO NOT ATTACH METAL STUD TO BOTTOM FLANGE OF JOIST.
 2.) ATTACH DECK TO EDGE ANGLE W/ 3/8" PUDDLE WELDS @ 6' O.C.
 3.) ATTACH AWNING TO STRUCTURE PER MANUFACTURER'S RECOMMENDATIONS.

4/S506 SIDE WALL SECTION
 3/4" = 1'-0"

Order Plans

WWW.LDILine.com