



**Bakery Cafe #6119**  
6315 MANATEE AVE W  
BRADENTON, FL 34209

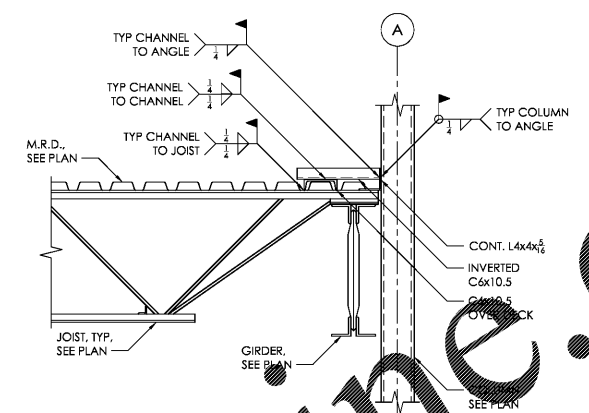


No.	Description	Date

### WALL SECTIONS

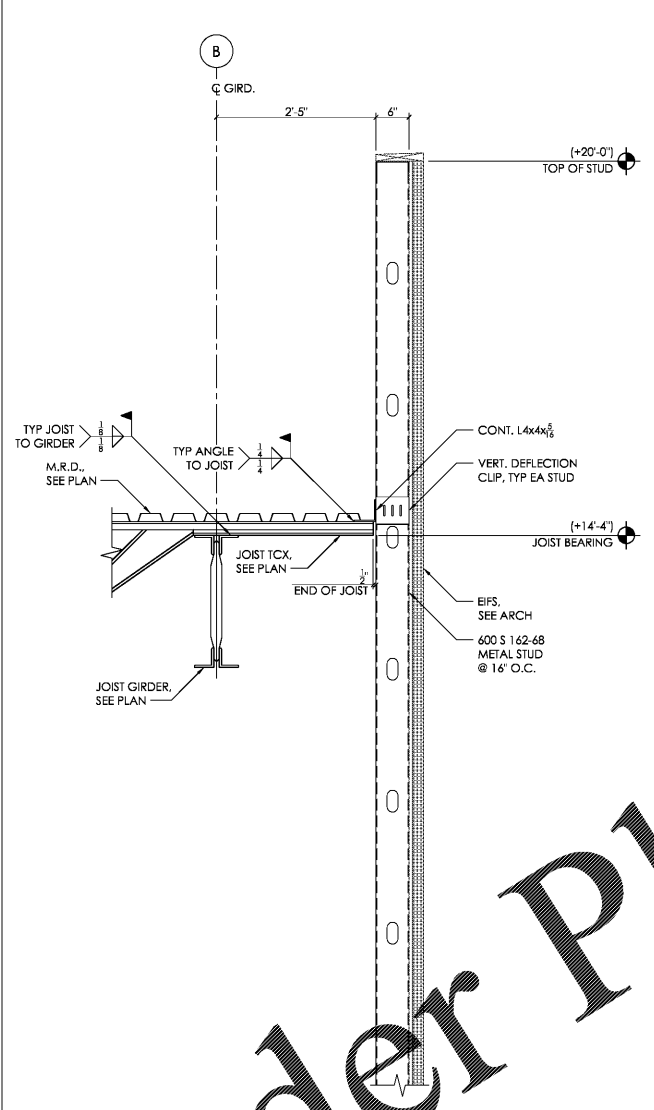
Project Number: 6119  
 Drawn By: KMR  
 Issue Date: 10.31.18  
 DPM: J.R. DM: H.R. CPM: R.K.

Sheet Number: **S504**



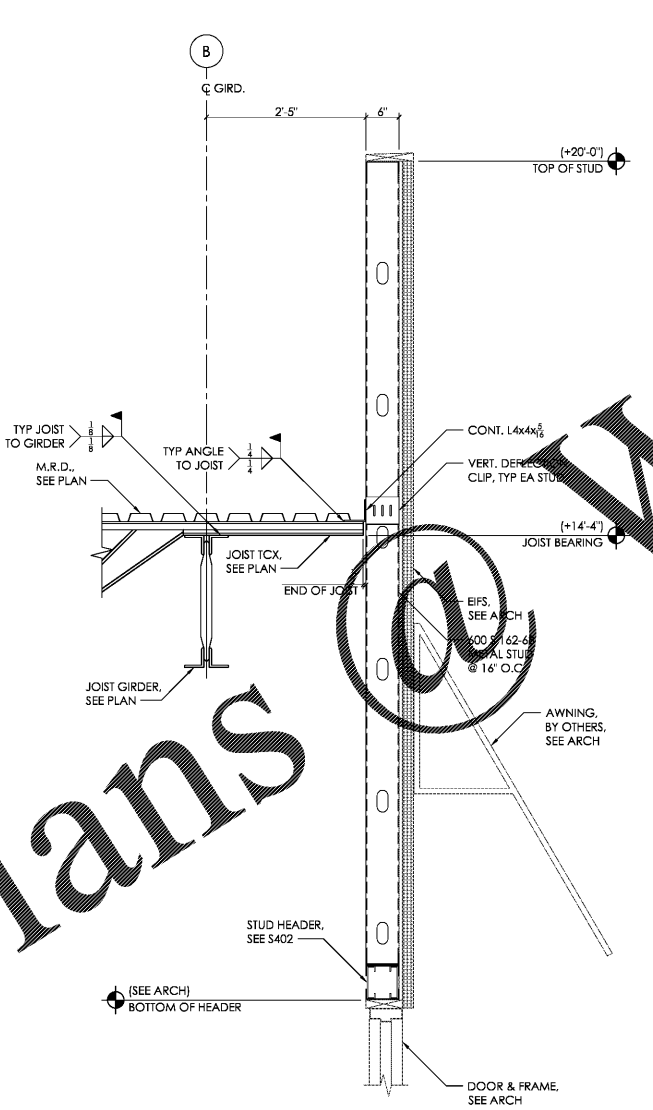
NOTES:  
 1.] SEE WALL SECTIONS ON SHEETS S504 FOR INFORMATION NOT SHOWN.

5/S504 COLUMN TIE DETAIL  
 3/4" = 1'-0"



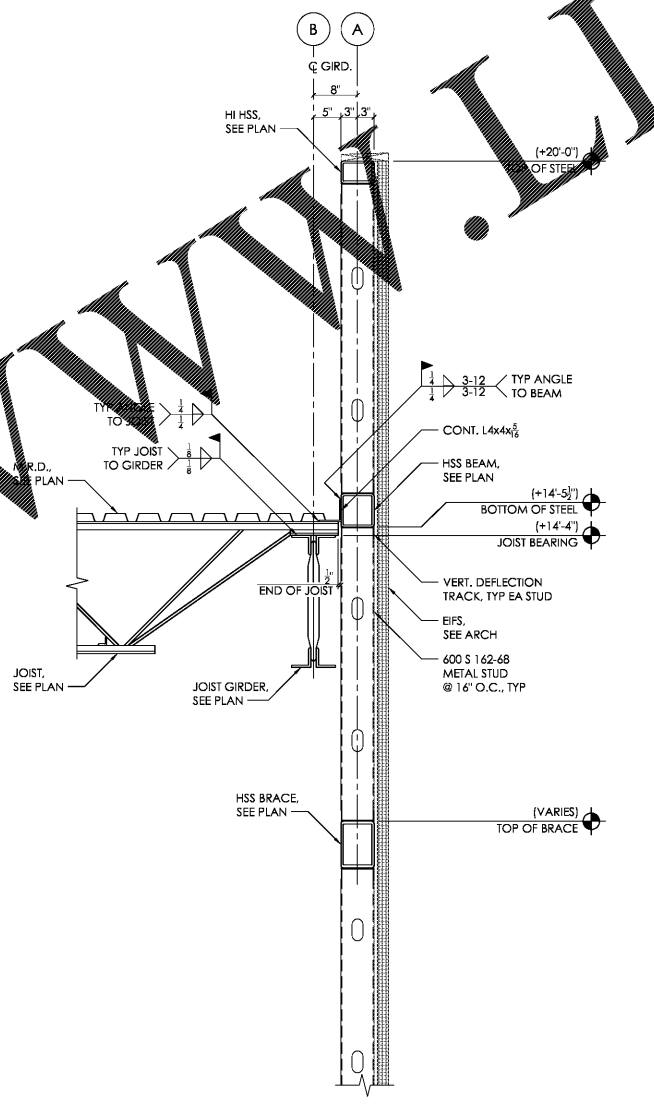
NOTES:  
 1.] DO NOT ATTACH METAL STUD TO BOTTOM FLANGE OF JOIST GIRDER.  
 2.] ATTACH DECK TO EDGE ANGLE W/ 3/8" PUDDLE WELDS @ 6' O.C.

1/S504 REAR WALL SECTION  
 3/4" = 1'-0"



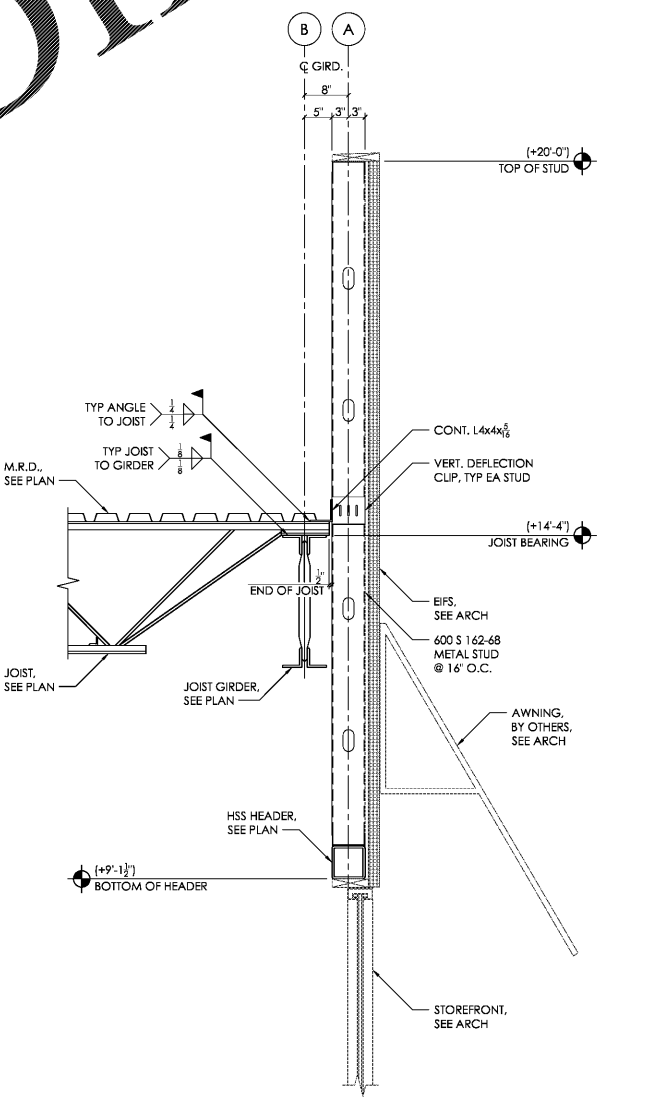
NOTES:  
 1.] DO NOT ATTACH METAL STUD TO BOTTOM FLANGE OF JOIST GIRDER.  
 2.] ATTACH DECK TO EDGE ANGLE W/ 3/8" PUDDLE WELDS @ 6' O.C.  
 3.] ATTACH AWNING TO STRUCTURE PER MANUFACTURER'S RECOMMENDATIONS.

2/S504 REAR WALL SECTION  
 3/4" = 1'-0"



NOTES:  
 1.] DO NOT ATTACH METAL STUD TO BOTTOM FLANGE OF JOIST GIRDER.  
 2.] ATTACH DECK TO EDGE ANGLE W/ 3/8" PUDDLE WELDS @ 6' O.C.

3/S504 REAR WALL SECTION  
 3/4" = 1'-0"



NOTES:  
 1.] DO NOT ATTACH METAL STUD TO BOTTOM FLANGE OF JOIST GIRDER.  
 2.] ATTACH DECK TO EDGE ANGLE W/ 3/8" PUDDLE WELDS @ 6' O.C.  
 3.] ATTACH AWNING TO STRUCTURE PER MANUFACTURER'S RECOMMENDATIONS.

4/S504 REAR WALL SECTION  
 3/4" = 1'-0"

# Order Plans

# WWW.LDLINE.COM