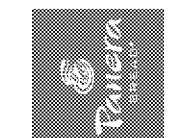




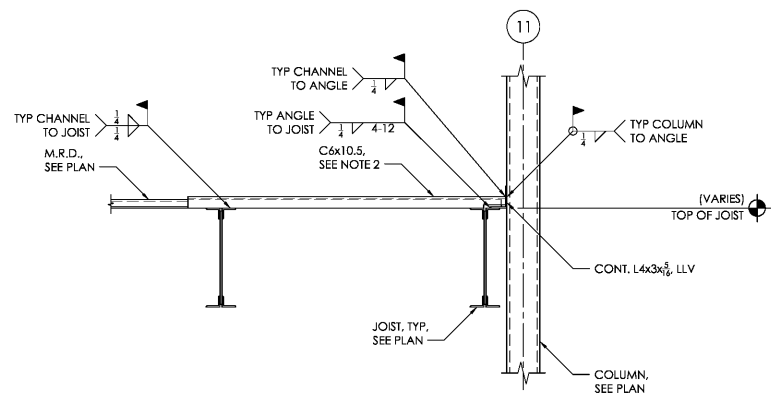
**Bakery Cafe #6119**  
6315 MANATEE AVE W  
BRADENTON, FL 34209



No.	Description	Date

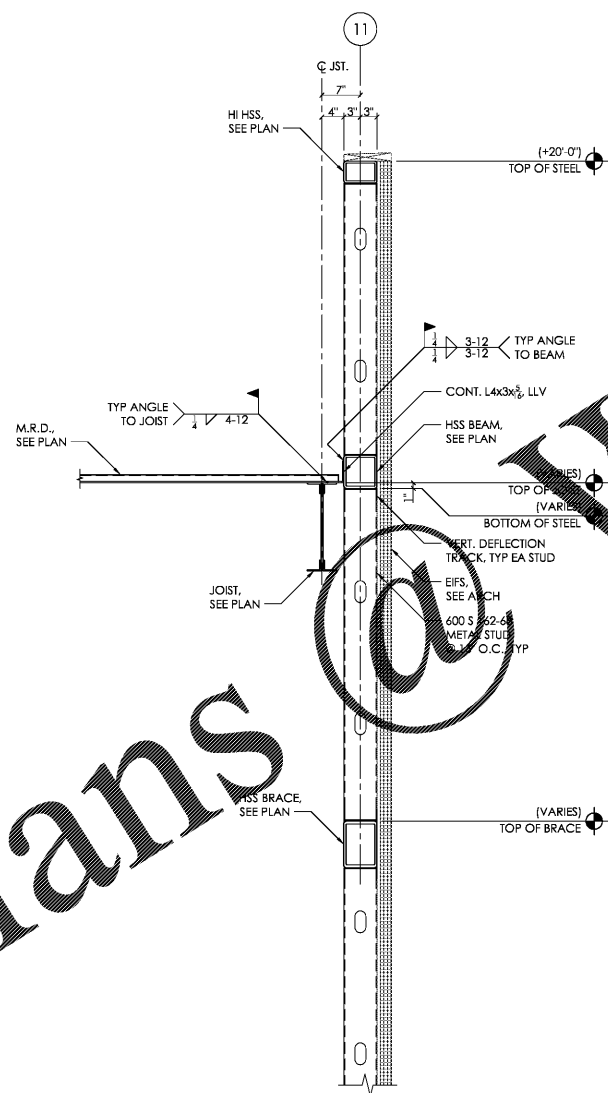
**WALL SECTIONS**

Project Number: 6119  
Drawn By: KMR  
Issue Date: 10.31.18  
DPK: J.R. DM: H.R. CPM: R.K.



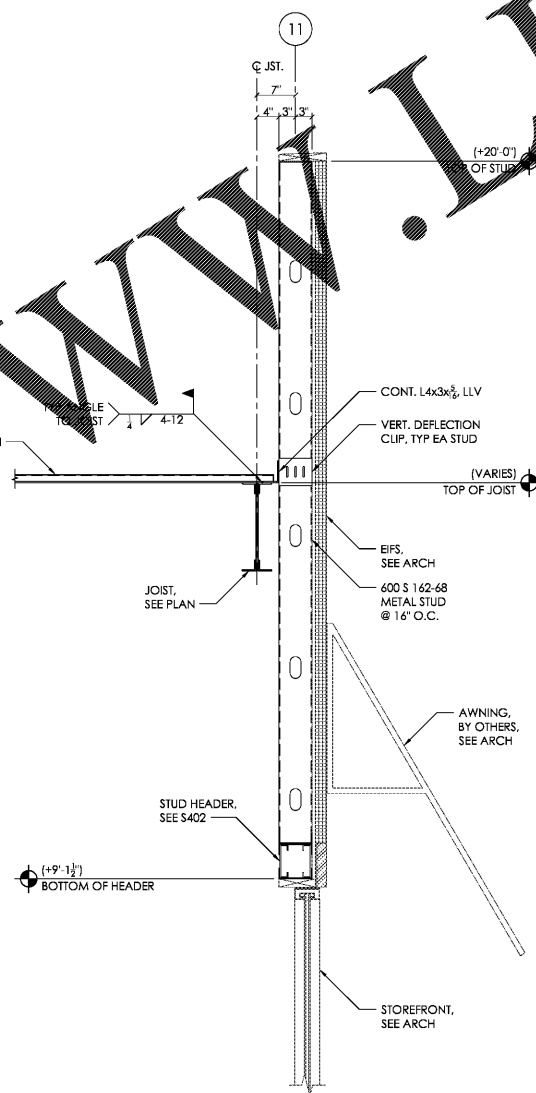
- NOTES:  
1.) SEE WALL SECTIONS ON SHEETS S503 FOR INFORMATION NOT SHOWN.  
2.) INSTALL C6 OVER METAL ROOF DECK.  
SHOP COPE END OF C6 TO AVOID INTERFERENCE WITH EDGE ANGLE.

4/S503 COLUMN TIE DETAIL  
3/4" = 1'-0"



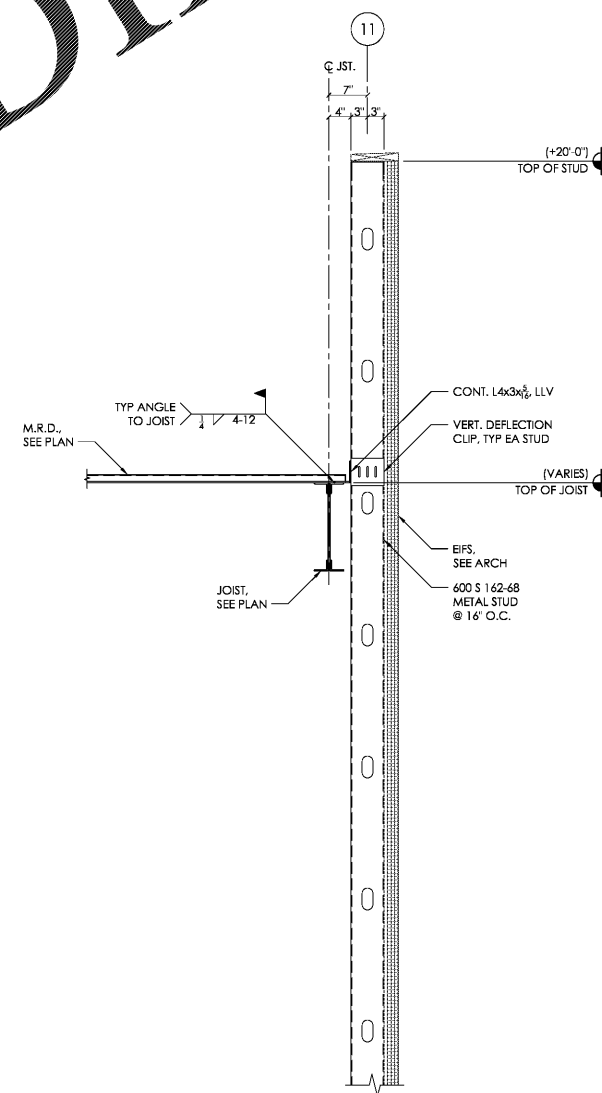
- NOTES:  
1.) DO NOT ATTACH METAL STUD TO BOTTOM FLANGE OF JOIST.  
2.) ATTACH DECK TO EDGE ANGLE W/  $\frac{3}{8}$ " PUDDLE WELDS @ 6" O.C.

1/S503 SIDE WALL SECTION  
3/4" = 1'-0"



- NOTES:  
1.) DO NOT ATTACH METAL STUD TO BOTTOM FLANGE OF JOIST.  
2.) ATTACH DECK TO EDGE ANGLE W/  $\frac{3}{8}$ " PUDDLE WELDS @ 6" O.C.  
3.) ATTACH AWNING TO STRUCTURE PER MANUFACTURER'S RECOMMENDATIONS.

2/S503 SIDE WALL SECTION  
3/4" = 1'-0"



- NOTES:  
1.) DO NOT ATTACH METAL STUD TO BOTTOM FLANGE OF JOIST.  
2.) ATTACH DECK TO EDGE ANGLE W/  $\frac{3}{8}$ " PUDDLE WELDS @ 6" O.C.

3/S503 SIDE WALL SECTION  
3/4" = 1'-0"

Order Plans

WWW.LDILine.com