



Bakery Cafe #6119
6315 MANATEE AVE W
BRADENTON, FL 34209

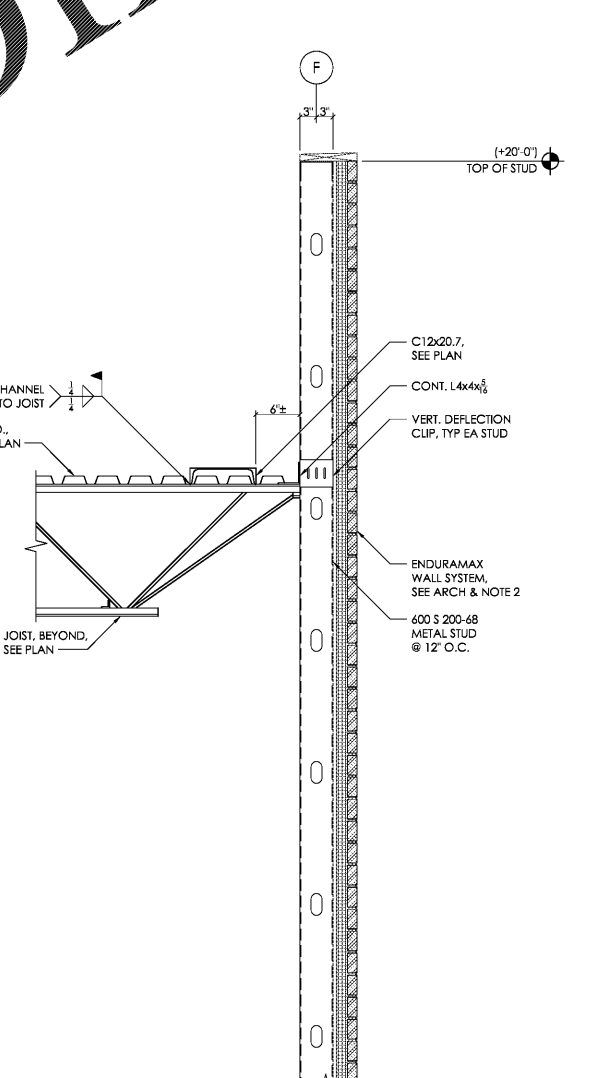
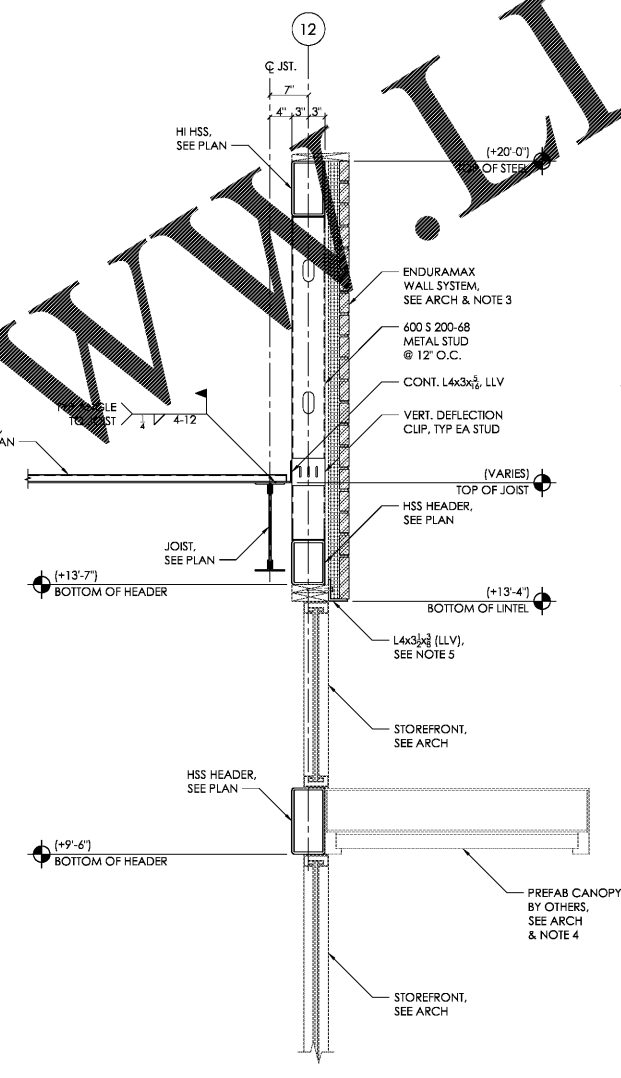
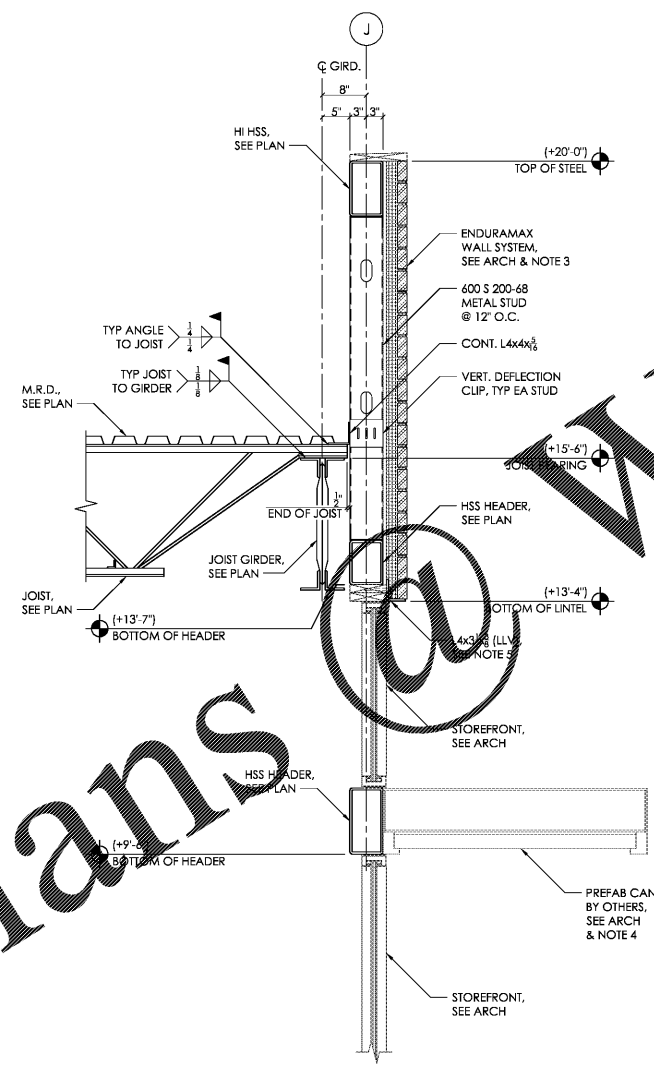
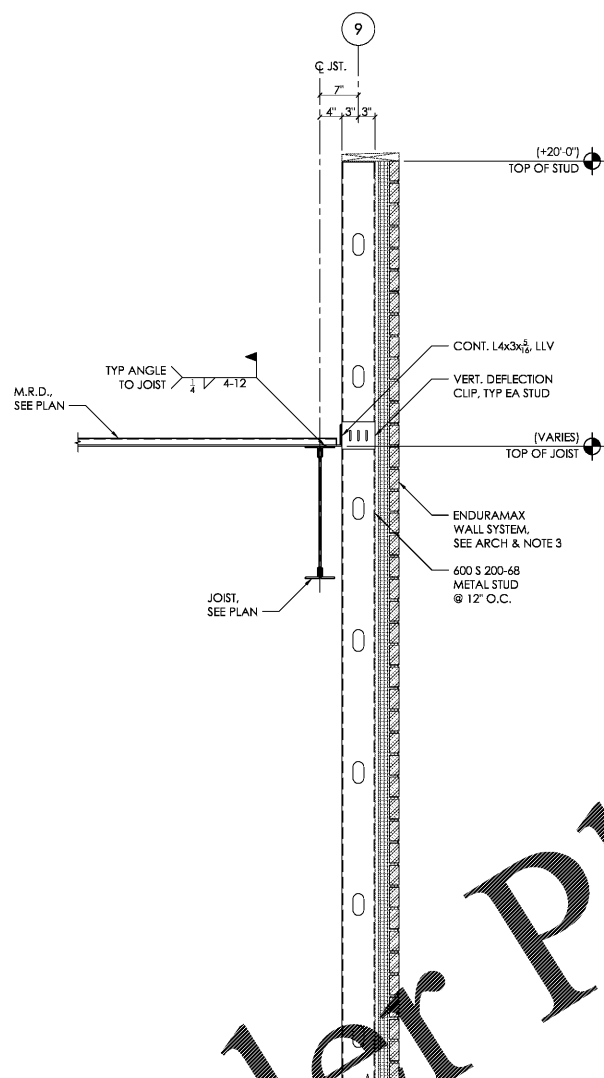


No.	Description	Date

WALL SECTIONS

Project Number: 6119
 Drawn By: KMR
 Issue Date: 10.31.18
 DPK: J.R. DM: H.R. CPM: R.K.

S502



- NOTES:**
- DO NOT ATTACH METAL STUD TO BOTTOM FLANGE OF JOIST GIRDER.
 - ATTACH DECK TO EDGE ANGLE W/ 3/8" PUDDLE WELDS @ 6" O.C.
 - ATTACH AND INSTALL ENDURAMAX WALL SYSTEM PER MANUFACTURER'S RECOMMENDATIONS.
 - ATTACH CANOPY TO STRUCTURE PER MANUFACTURER'S RECOMMENDATIONS. CANOPY INSTALLER SHALL BE RESPONSIBLE FOR ALL CONNECTIONS AND ADDITIONAL STRUCTURAL COMPONENTS REQUIRED FOR CANOPY SUPPORT.
 - ATTACH LINTEL TO WOOD BLOCKING WITH 1/2" x 0'-4" LAG SCREWS @ 24" O.C.

- NOTES:**
- DO NOT ATTACH METAL STUD TO BOTTOM FLANGE OF JOIST.
 - ATTACH DECK TO EDGE ANGLE W/ 3/8" PUDDLE WELDS @ 6" O.C.
 - ATTACH AND INSTALL ENDURAMAX WALL SYSTEM PER MANUFACTURER'S RECOMMENDATIONS.
 - ATTACH CANOPY TO STRUCTURE PER MANUFACTURER'S RECOMMENDATIONS. CANOPY INSTALLER SHALL BE RESPONSIBLE FOR ALL CONNECTIONS AND ADDITIONAL STRUCTURAL COMPONENTS REQUIRED FOR CANOPY SUPPORT.
 - ATTACH LINTEL TO WOOD BLOCKING WITH 1/2" x 0'-4" LAG SCREWS @ 24" O.C.

- NOTES:**
- ATTACH DECK TO EDGE ANGLE W/ 3/8" PUDDLE WELDS @ 6" O.C.
 - ATTACH AND INSTALL ENDURAMAX WALL SYSTEM PER MANUFACTURER'S RECOMMENDATIONS.

Order Plans @

WWW.LDILine.com