

Bakery-Cafe:

#6119

Project Team:

km
engineering,
plc

153 u.s. hwy 70 w
garner, nc 27529
919-615-0282

Professional Seal:



Engineer of Record:
Kyle M. Reece
P.E. No. 81480

Project Title:

Bakery Cafe #6119
6315 MANATEE AVE W
BRADENTON, FL 34209

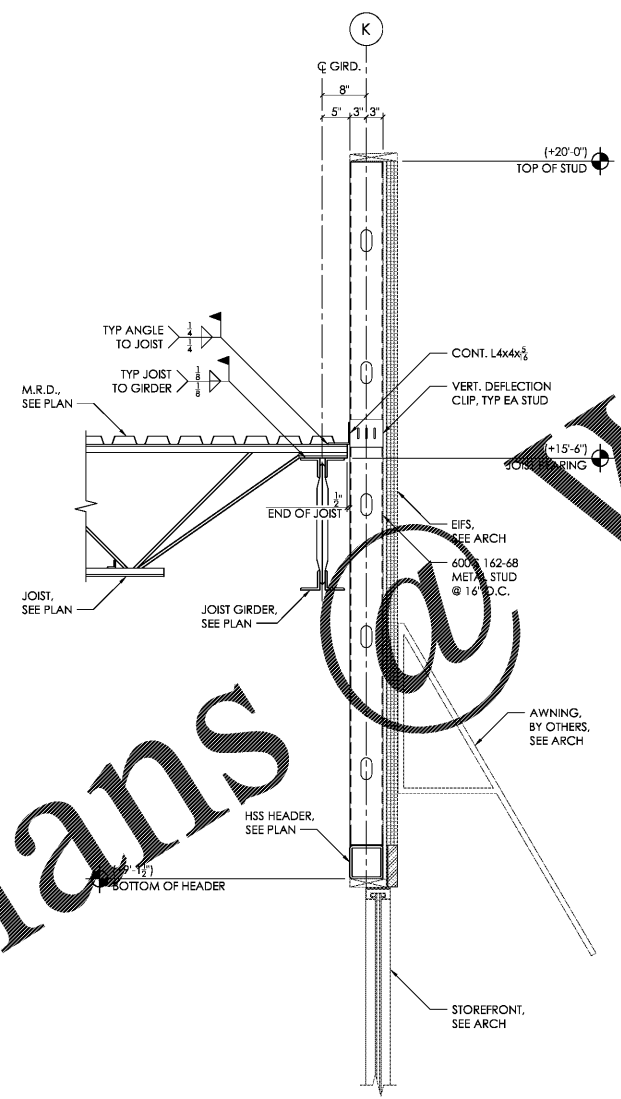


No.	Description	Date

WALL SECTIONS

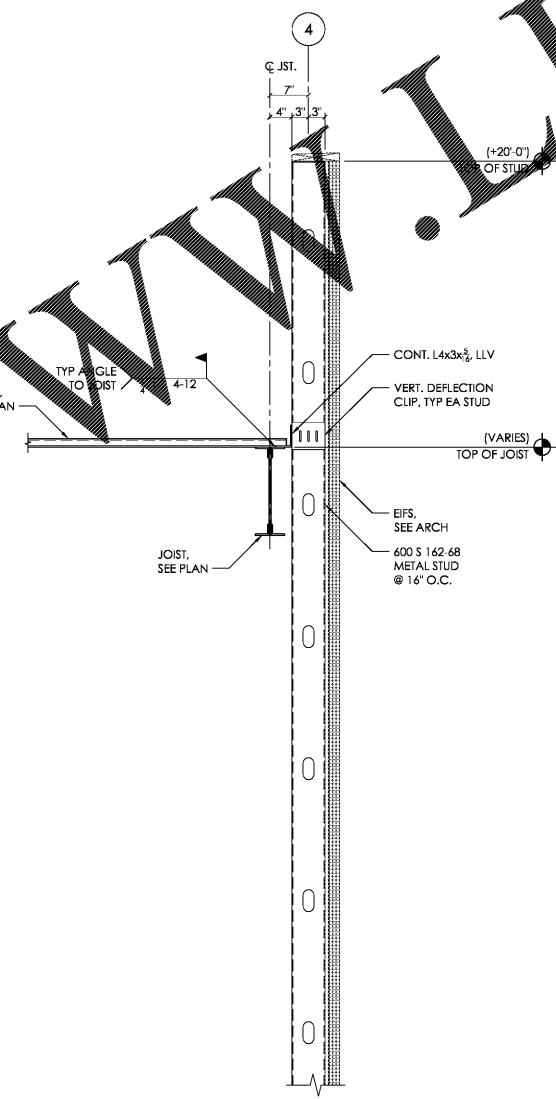
Project Number: 6119
 Drawn By: KMR
 Issue Date: 10.31.18
 DPW: J.R. DM: H.R. CPM: R.K.

Order Plans



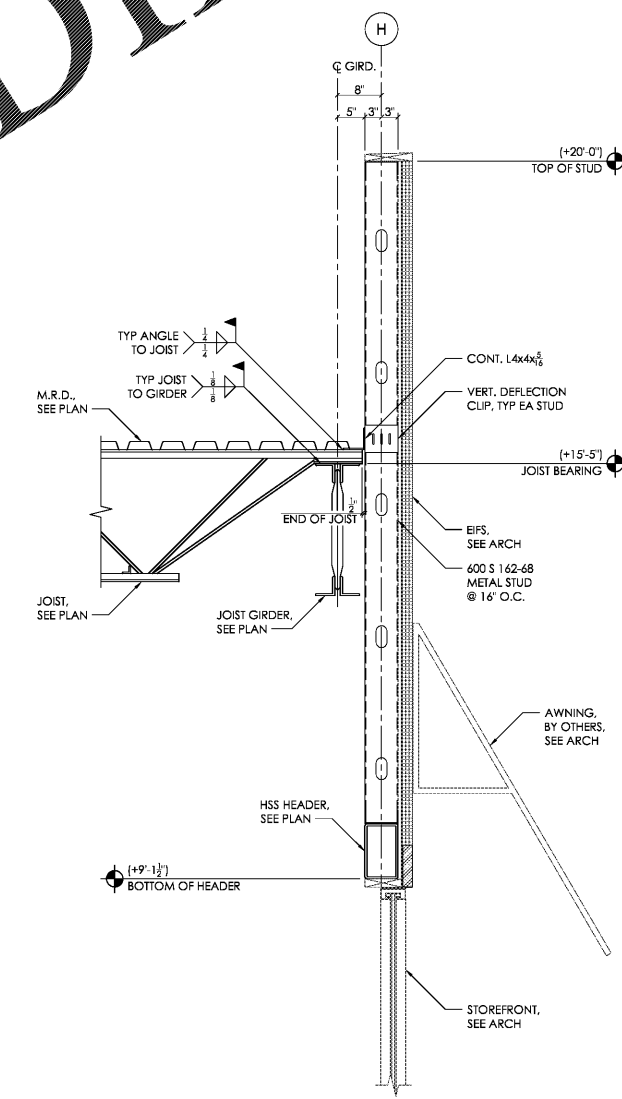
- NOTES:
 1.) DO NOT ATTACH METAL STUD TO BOTTOM FLANGE OF JOIST GIRDER.
 2.) ATTACH DECK TO EDGE ANGLE W/ 3/8" Puddle Welds @ 6" O.C.
 3.) ATTACH AWNING TO STRUCTURE PER MANUFACTURER'S RECOMMENDATIONS.

1/S501 FRONT WALL SECTION
3/4" = 1'-0"



- NOTES:
 1.) DO NOT ATTACH METAL STUD TO BOTTOM FLANGE OF JOIST.
 2.) ATTACH DECK TO EDGE ANGLE W/ 3/8" Puddle Welds @ 6" O.C.

2/S501 SIDE WALL SECTION
3/4" = 1'-0"



- NOTES:
 1.) DO NOT ATTACH METAL STUD TO BOTTOM FLANGE OF JOIST GIRDER.
 2.) ATTACH DECK TO EDGE ANGLE W/ 3/8" Puddle Welds @ 6" O.C.
 3.) ATTACH AWNING TO STRUCTURE PER MANUFACTURER'S RECOMMENDATIONS.

3/S501 FRONT WALL SECTION
3/4" = 1'-0"

WWW.LDILine.com