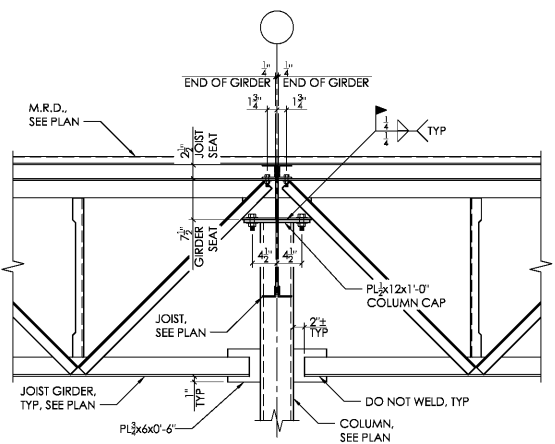




| No. | Description | Date |
|-----|-------------|------|
| | | |
| | | |
| | | |
| | | |

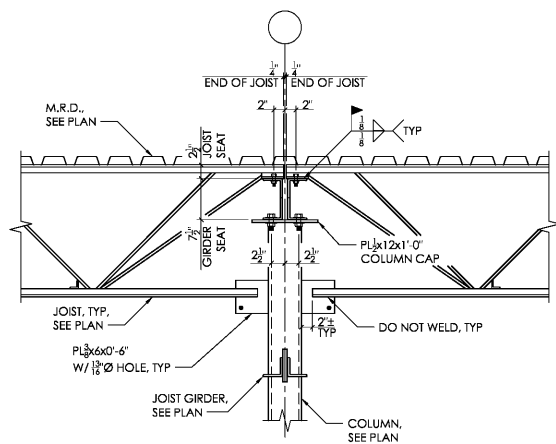
TYPICAL FRAMING DETAILS

Project Number: 6119
 Drawn By: KMP
 Issue Date: 10.31.18
 DPK: DM: CPM:
 J.R. H.R. R.K.



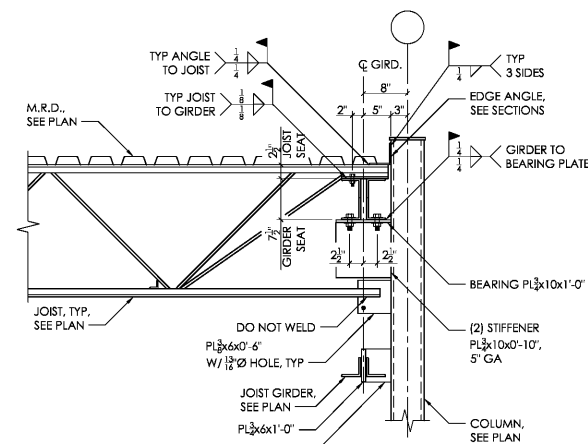
NOTES:
 1.) ALL BOLTS TO REMAIN AFTER WELDING.
 2.) 3/4" A325 x 2 1/2" BOLTS - GIRDER TO CAP PLATE.
 3.) 1/2" A307 x 1 1/2" BOLTS - JOIST TO GIRDER.

1/S401 6" COLUMN CAP DETAIL
3/4" = 1'-0" 2 GIRDERS & 2 JOISTS



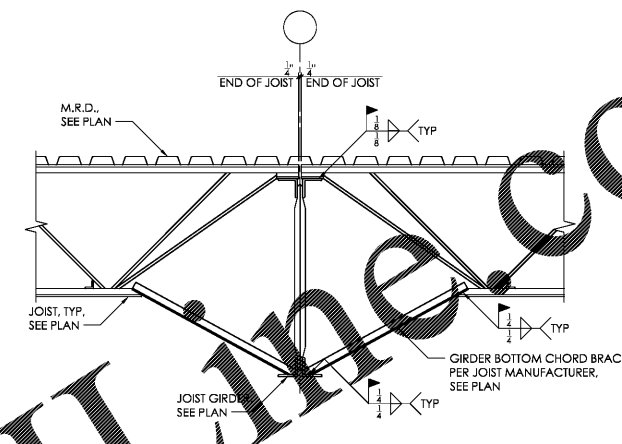
NOTES:
 1.) ALL BOLTS TO REMAIN AFTER WELDING.
 2.) 3/4" A325 x 2 1/2" BOLTS - GIRDER TO CAP PLATE.
 3.) 1/2" A307 x 1 1/2" BOLTS - JOIST TO GIRDER.

2/S401 6" COLUMN CAP DETAIL
3/4" = 1'-0" 2 JOISTS & 2 GIRDERS



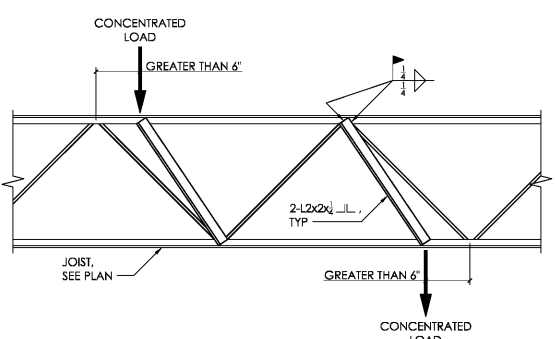
NOTES:
 1.) ALL BOLTS TO REMAIN AFTER WELDING.
 2.) 3/4" A325 x 2 1/2" BOLTS - GIRDER TO CAP PLATE.
 3.) 1/2" A307 x 1 1/2" BOLTS - JOIST TO GIRDER.

3/S401 6" COLUMN OFFSET SEAT DETAIL
3/4" = 1'-0"



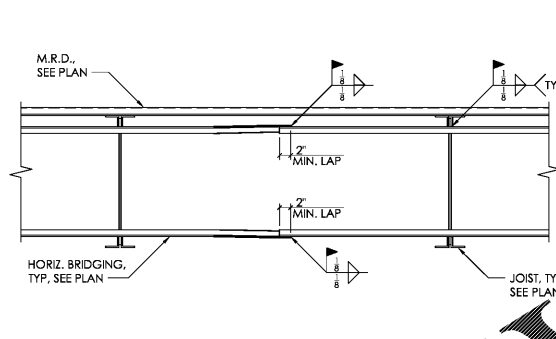
NOTES:
 1.) REMOVE ERECTION CLIP AFTER BEAM IS SECURE.

4/S401 GIRDER BOTTOM CHORD BRACE DETAIL
3/4" = 1'-0"

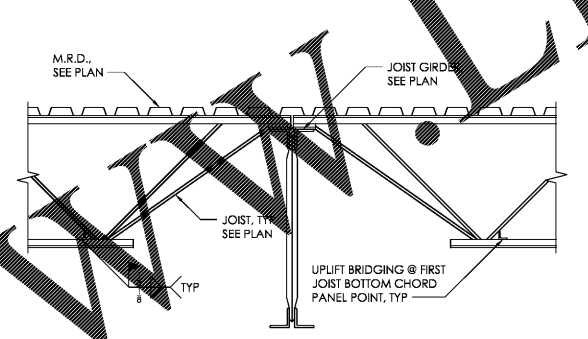


NOTES:
 1.) DETAIL APPLIES TO ALL ROOF MOUNTED EQUIPMENT.
 2.) IF LOAD EXCEEDS WHAT IS SHOWN ON PLAN, CONTACT ENGINEER PRIOR TO PLACEMENT.

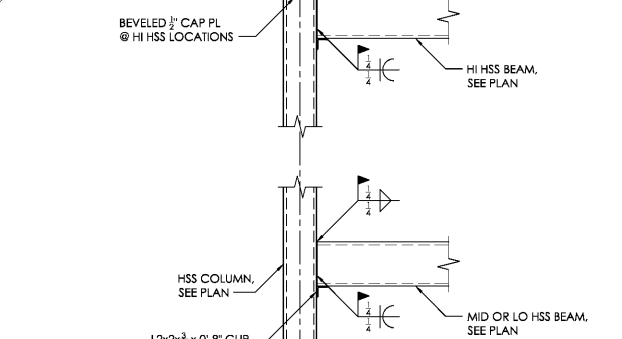
5/S401 JOIST REINFORCEMENT DETAIL
3/4" = 1'-0"



6/S401 HORIZONTAL BRIDGING SPLICE DETAIL
3/4" = 1'-0"

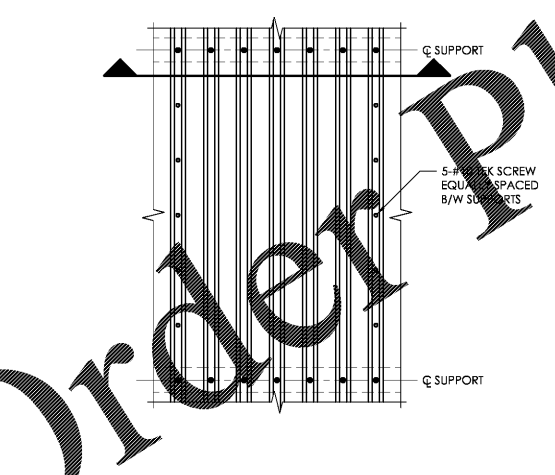
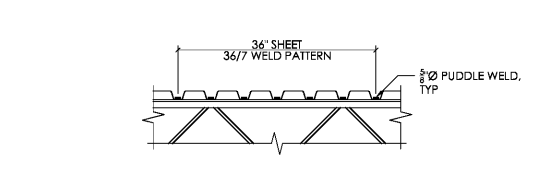


7/S401 UPLIFT BRIDGING DETAIL
3/4" = 1'-0"

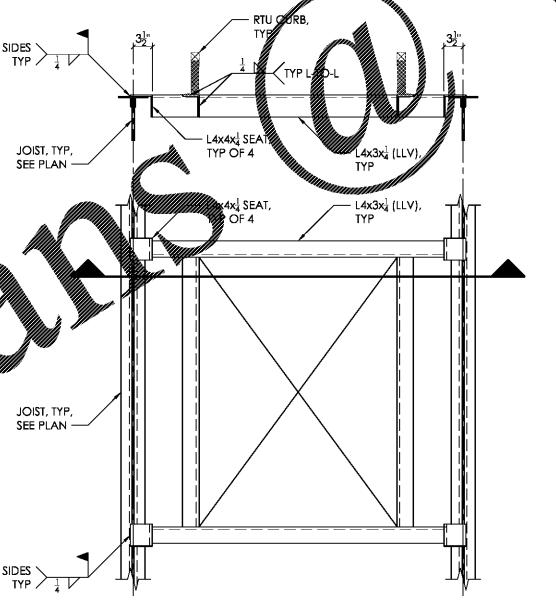


NOTES:
 1.) REMOVE ERECTION CLIP AFTER BEAM IS SECURE.

8/S401 HSS BEAM TO COLUMN CONNECTION DETAIL
3/4" = 1'-0"

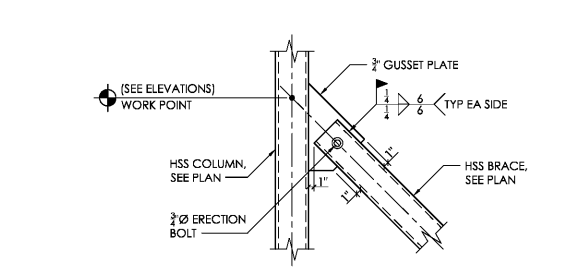


9/S401 ROOF DECK FASTENING DETAIL
3/4" = 1'-0"

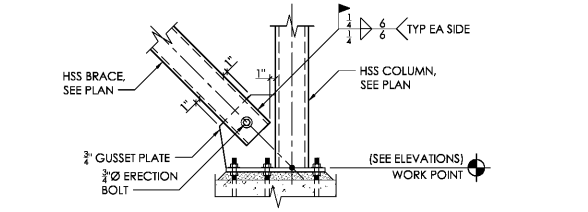


NOTES:
 1.) WELD DECK TO L4x3 FRAME WITH 5/8" PUDDLE WELDS @ 6" O.C. AROUND ENTIRE PERIMETER.
 2.) REMOVE DECK AS REQUIRED WITHIN FRAME.
 3.) ALL CURB DIMENSIONS TO BE PROVIDED BY MECHANICAL CONTRACTOR.

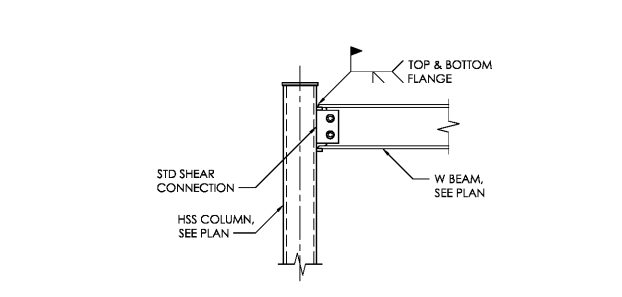
10/S401 ROOF FRAME DETAIL
3/4" = 1'-0"



11/S401 HSS BRACE CONNECTION DETAIL
3/4" = 1'-0"



12/S401 HSS BRACE CONNECTION DETAIL
3/4" = 1'-0"



13/S401 MOMENT CONNECTION DETAIL
3/4" = 1'-0"

Order Plans @ www.weldline.com