



Bakery Cafe #6119
6315 MANATEE AVE W
BRADENTON, FL 34209

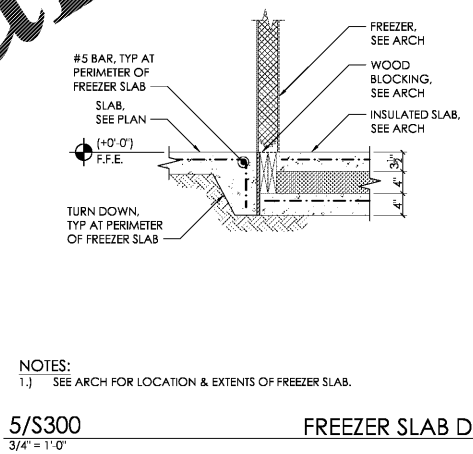
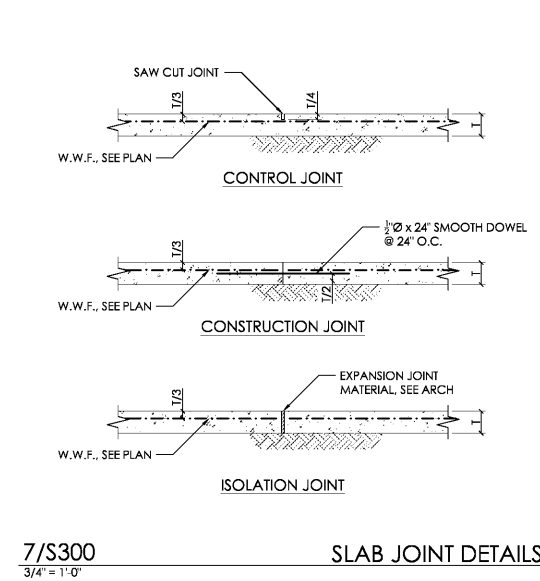
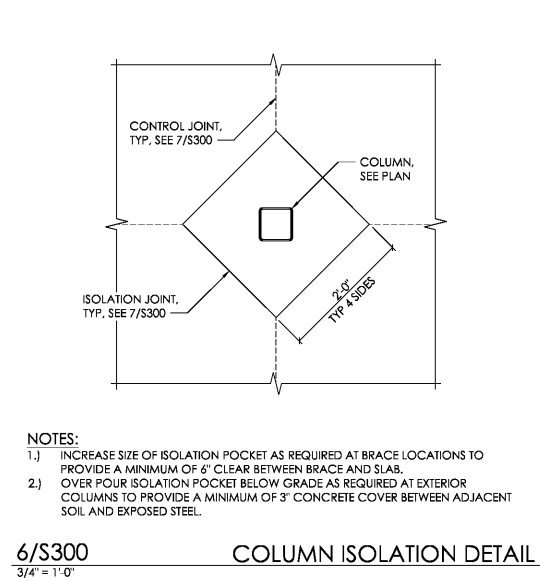
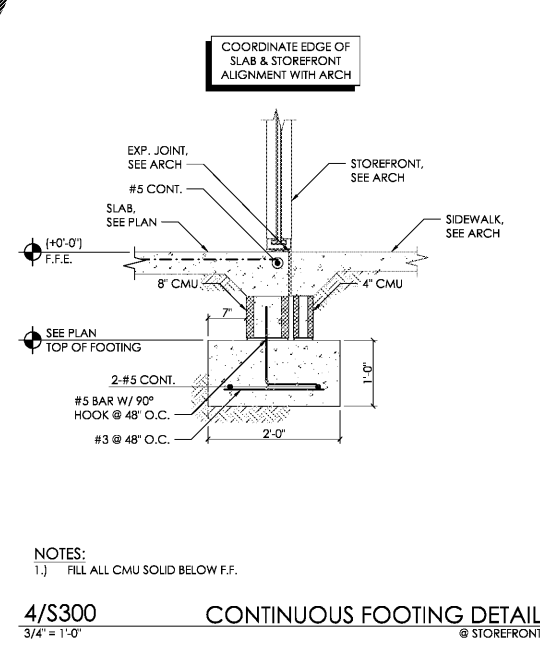
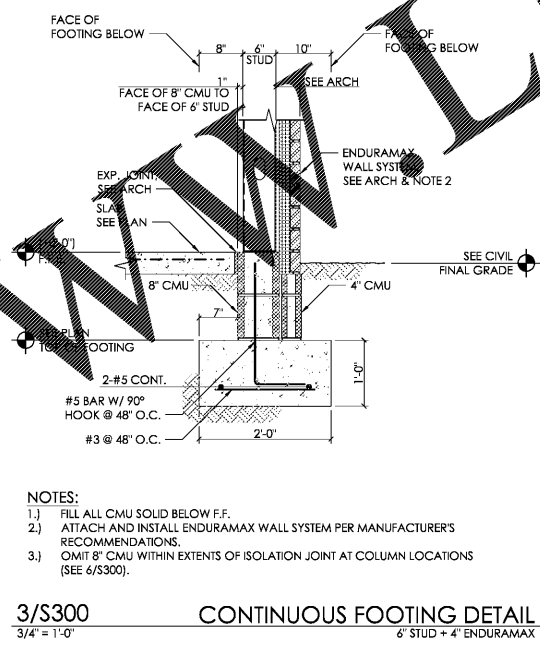
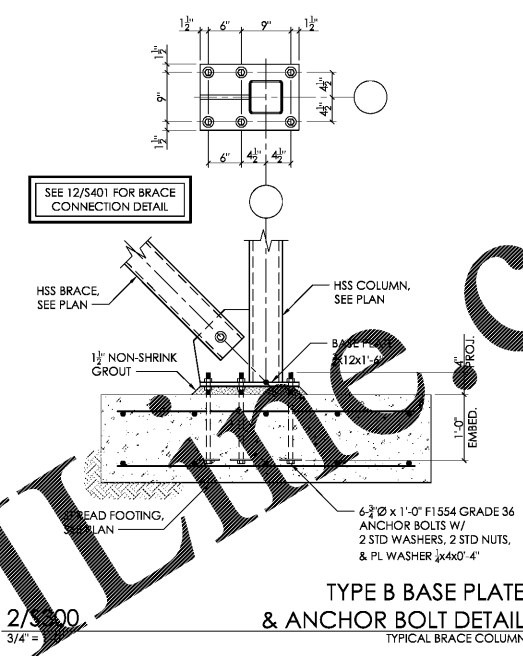
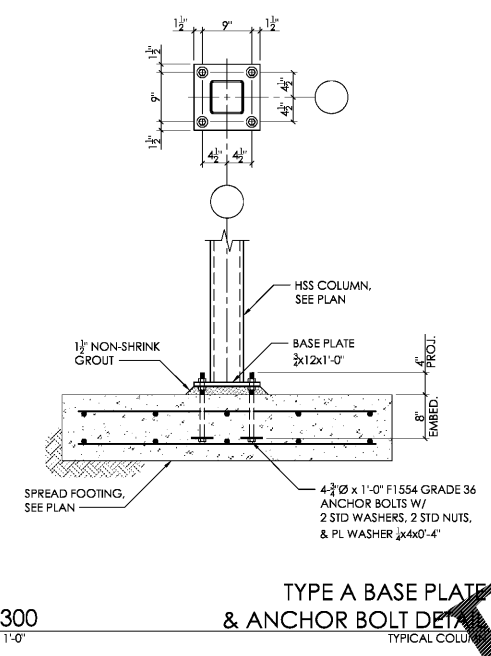


No.	Description	Date

TYPICAL FOUNDATION DETAILS

Project Number: 6119
 Drawn By: KMP
 Issue Date: 10.31.18
 DPM: J.R. DM: H.R. CPM: R.K.

Sheet Number: **S300**



NOTES:
 1.) INCREASE SIZE OF ISOLATION POCKET AS REQUIRED AT BRACE LOCATIONS TO PROVIDE A MINIMUM OF 6" CLEAR BETWEEN BRACE AND SLAB.
 2.) OVER POUR ISOLATION POCKET BELOW GRADE AS REQUIRED AT EXTERIOR COLUMNS TO PROVIDE A MINIMUM OF 3" CONCRETE COVER BETWEEN ADJACENT SOIL AND EXPOSED STEEL.

NOTES:
 1.) FILL ALL CMU SOLID BELOW F.F.
 2.) ATTACH AND INSTALL ENDURAMAX WALL SYSTEM PER MANUFACTURER'S RECOMMENDATIONS.
 3.) OMIT 8" CMU WITHIN EXTENTS OF ISOLATION JOINT AT COLUMN LOCATIONS (SEE 6/S300).

Order Plans @ WWW.LDILLINE.COM