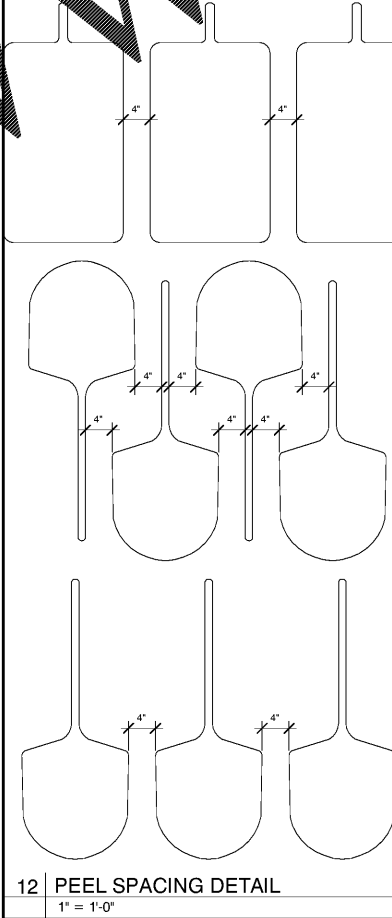
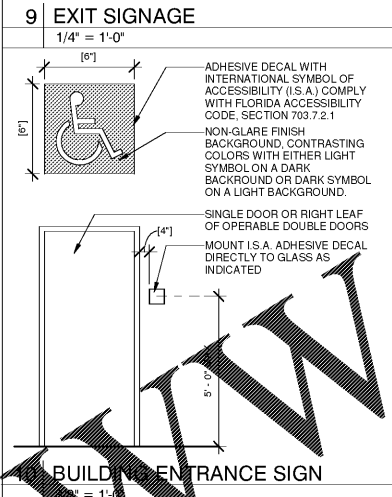


11/1/2018 3:05:49 PM

Order Plans @ WWW.WHOLELINE.COM

- A. EACH GRADE LEVEL EXTERIOR EXIT DOOR SHALL BE IDENTIFIED BY A TACTILE EXIT WITH THE WORD "EXIT".
- B. EACH EXIT DOOR THAT LEADS DIRECTLY TO A GRADE-LEVEL EXTERIOR EXIT BY MEANS OF A STAIRWAY OR RAMP SHALL BE IDENTIFIED BY A TACTILE EXIT SIGN WITH THE FOLLOWING:
 - "EXIT STAIRS DOWN"
 - "EXIT RAMP DOWN"
 - "EXIT STAIR UP"
 - "EXIT RAMP UP"
- C. WORDS AS APPROPRIATE:
 - 1. "EXIT STAIRS DOWN"
 - 2. "EXIT RAMP DOWN"
 - 3. "EXIT STAIR UP"
 - 4. "EXIT RAMP UP"
- D. EACH EXIT DOOR THAT LEADS DIRECTLY TO A GRADE-LEVEL EXTERIOR EXIT BY MEANS OF AN EXIT ENCLOSURE OR AN EXIT PASSAGEWAY SHALL BE IDENTIFIED BY A TACTILE EXIT SIGN WITH THE WORDS "EXIT ROUTE".
- E. EACH EXIT ACCESS DOOR FROM AN INTERIOR ROOM OR AREA TO A CORRIDOR OR HALLWAY THAT IS REQUIRED TO HAVE A VISUAL EXIT SIGN, SHALL BE IDENTIFIED BY A TACTILE EXIT SIGN WITH THE WORDS "EXIT ROUTE".
- F. EACH EXIT DOOR THROUGH A HORIZONTAL EXIT SHALL BE IDENTIFIED BY A SIGN WITH THE WORDS "TO EXIT".



SIGNAGE SCHEDULE

VG	QTY	DESCRIPTION	SIZE	MOUNTING INSTRUCTIONS	DETAIL/REF.
BMS5	1	EXPO BRAND MANTRA SIGN	92"W X 24"H X 1"D		
CB2LG	1	COMMUNITY BOARD- LARGE	108"W X 30"H X 1"D	ATTACH TO WALL USING SECURITY HARDWARE	
CHBS2	1	COLD & HOT BEVERAGE SIGN- TWO SIDED		SUSPENDED FROM CEILING AT BEVERAGE BAR	
CTOG4	2	COUNTER TOP ORGANIZER	6 1/2"D X 1'-10 1/2"W		
G4M1	1	MENU BOARD 1			
G4M2	1	MENU BOARD 2			
G4M3	1	MENU BOARD 3			
HRS	1	CAFE OPEN HOURS	14"W X 10"H	MOUNT ON WALL ADJ. TO ENTRY DOOR. SEE PLAN	
HW	4	HAND WASH	6"W X 11.5"H	MOUNT TO TOWEL DISPENSER	
HW2	4	[G4] HAND WASH SIGN (RESTROOM MIRROR)	11"W X 1.75"H	MOUNT ON MIRROR IN RESTROOM	
KTK	1	KNEAD TO KNOW COMMUNICATION BOARD	48"W X 36"H	5'-0" CENTERLINE OF BOARD. PROVIDED & INSTALLED BY OWNER	
LRC	3	LANDFILL & RECYCLE TAGS	8"W X 1'H X 1"D; 2 TOTAL	MOUNT ON WALL/SURFACE BEHIND T&B STATION	
OCC	1	OCCUPANCY	14"W X 10"H	MOUNT ON WALL ADJ. TO ENTRY DOOR. SEE PLAN	
RP02	1	4" H INDIVIDUAL LETTERS- 40" W.	40"W X 4"H	MOUNT DIRECTLY TO WALL USING PLATE	
WDA	1	[G4] WINDOW DECAL- ALLERGY	12"W X 17.25"H	MOUNT ON BAKERY CASE GLASS	
WDB	1	[G4] WINDOW DECAL- BAKERY	18"W X 6.75"H	MOUNT TO BAKERY CASE GLASS	
WDD	1	[G4] WINDOW DECAL- DONATION	19.5"W X 6.85"H	MOUNT ON BAKERY CASE GLASS	

ARTWORK SCHEDULE

CODE	QTY	DESCRIPTION	SIZE	MOUNTING INSTRUCTIONS	DETAIL/REF.
SB-306	1	PHOTOGRAPHIC IMAGE SB-306	24"W X 24"H; 3/4" FRAME; 4" MAT	SEE ELEVATIONS FOR HEIGHT	3/4" FRAME, 4" MAT
PS-092	1	PHOTOGRAPHIC IMAGE PS-092	24"W X 24"H; 3/4" FRAME; 4" MAT	SEE ELEVATIONS FOR HEIGHT	3/4" FRAME, 4" MAT
HP19-GR	1	HENRIETTA COLLECTION: GREENS IMAGES 257 & 121	(24"W X 24"H); 3/4" FRAME; 4" MAT	SEE ELEVATIONS FOR HEIGHT	PAIR OF IMAGES; FRAMED PRINT
HP20-PS	1	HENRIETTA COLLECTION: PUMPKIN IMAGES 140 & 002	(24"W X 24"H); 3/4" FRAME; 4" MAT	SEE ELEVATIONS FOR HEIGHT	PAIR OF IMAGES; FRAMED PRINT
3D5	1	3D ELEMENT: PAINTED BREAD PEEL	18"W X 36"H	SEE ELEVATIONS FOR HEIGHT	PAINT PATTERN BY DESIGNER
3D5	1	3D ELEMENT: PAINTED BREAD PEEL	18"W X 36"H	SEE ELEVATIONS FOR HEIGHT	PAINT PATTERN BY DESIGNER
3D5	1	3D ELEMENT: PAINTED BREAD PEEL	18"W X 36"H	SEE ELEVATIONS FOR HEIGHT	PAINT PATTERN BY DESIGNER
3D5	1	3D ELEMENT: PAINTED BREAD PEEL	18"W X 36"H	SEE ELEVATIONS FOR HEIGHT	PAINT PATTERN BY DESIGNER
H-GR139	1	HENRIETTA COLLECTION: GREENS IMAGE	24"W X 24"H; 3/4" FRAME; 4" MAT	SEE ELEVATIONS FOR HEIGHT	SINGLE FRAMED PRINT
HP16-SB	1	HENRIETTA COLLECTION: STRAWBERRIES IMAGES 406 & 294	40.5"W X 24"H; 3/4" FRAME; 4" MAT	SEE ELEVATIONS FOR HEIGHT	PAIR OF IMAGES; FRAMED PRINT
HP18-SB	1	HENRIETTA COLLECTION: STRAWBERRIES IMAGES 293 & 398	40.5"W X 24"H; 3/4" FRAME; 4" MAT	SEE ELEVATIONS FOR HEIGHT	PAIR OF IMAGES; FRAMED PRINT
HP1-AP	1	HENRIETTA COLLECTION: APPLES IMAGES 483 & 472	40.5"W X 24"H; 3/4" FRAME; 4" MAT	SEE ELEVATIONS FOR HEIGHT	PAIR OF IMAGES; FRAMED PRINT
H-GR248	1	HENRIETTA COLLECTION: GREENS IMAGE	24"W X 24"H; 3/4" FRAME; 4" MAT	SEE ELEVATIONS FOR HEIGHT	SINGLE FRAMED PRINT
H-AP413	1	HENRIETTA COLLECTION: APPLES IMAGE 413	24"W X 24"H; 3/4" FRAME; 4" MAT	SEE ELEVATIONS FOR HEIGHT	SINGLE FRAMED PRINT
H-AP561	1	HENRIETTA COLLECTION: APPLES IMAGE 561	24"W X 24"H; 3/4" FRAME; 4" MAT	SEE ELEVATIONS FOR HEIGHT	SINGLE FRAMED PRINT

SITE SIGNAGE SCHEDULE

CODE	QTY	DESCRIPTION	SIZE	MOUNTING INSTRUCTIONS	DETAIL/REF.
DT01	1	MENU CANOPY	6'-6" X 7'-8"	REFER TO SHOP DRAWINGS	16/A023
DT03	1	HEIGHT CLEARANCE BAR		REFER TO SHOP DRAWINGS	20/A023
DT04	1	MENU SIGN	7'-4.375"W X 8'-25"D X 57"H	REFER TO SHOP DRAWINGS	12/A023
DT05	1	PREVIEW MENU SIGN	56.5"W X 75"D X 36"H	REFER TO SHOP DRAWINGS	10/A023
DT20	1	DIRECTIONAL SIGN "DRIVE THRU"	3'-6 1/2"W X 8' D	REFER TO SHOP DRAWINGS	24/A023
DT21	1	DIRECTIONAL SIGN "DOUBLE FACED 'DO NOT ENTER' & 'THANK YOU'"	3'-6 1/2"W X 8' D	REFER TO SHOP DRAWINGS	24/A023
PS0 A	2	ACCESSIBLE SPACE PARKING SIGN	N/A	N/A	8/A002
PS02	3	RPU PARKING SIGN	N/A	N/A	8/A002

12" x 7" ACRYLIC PANEL OCCUPANCY SIGN
INSTALL AT 60" A.F.F. ADJACENT TO ENTRANCE DOORS

NON-GLARE FINISH BACKGROUND, CONTRASTING COLORS WITH EITHER LIGHT LETTERS/SYMBOL ON A DARK BACKGROUND OR DARK LETTERS/SYMBOL ON A LIGHT BACKGROUND.

8 OCCUPANCY SIGN
1/4" = 1'-0"

GENERAL NOTES:

- ALL SIGNS WILL BE PROVIDED BY OWNER TO G.C. FOR INSTALLATION.
- VENDOR TO VERIFY ALL QUANTITIES AND CURRENT GRAPHIC DESIGNS WITH OWNER PRIOR TO FABRICATING.
- REFERENCE SHEET A410 FOR SIGNAGE LOCATIONS/ELEVATIONS.

Bakery-Cafe: #6119

SYSTEM: G4 (A) (A)

Project Title: _____

Professional Seal: _____

architect of record: William F. Arthur
License Number: AR0012074

Project Title: _____

wholesale.com

p.o. box 14,2116
coral gables, florida
33114,2116
t. 305.443.3100
f. 305.259.3986
license number: AA26002436

Bakery Cafe #6119
6351 MANATEE AVE W,
BRADENTON, FL 34209

CONSTRUCTION DRAWINGS

These plans and specifications are the exclusive property of WHA Design. Any reproduction, modification, distribution, and/or use of these materials (or any portion thereof) without WHA Design's prior written consent is strictly prohibited.

No.	Description	Date

SIGNAGE & ARTWORK SCHEDULES, DETAILS & NOTES

Project Number: #6119 Sheet Number: A721

Drawn By: MMH/NH

Issue Date: 09.30.18

DFM: _____ DM: _____ CPM: _____
J.R. _____ D.C. _____ R.K. _____