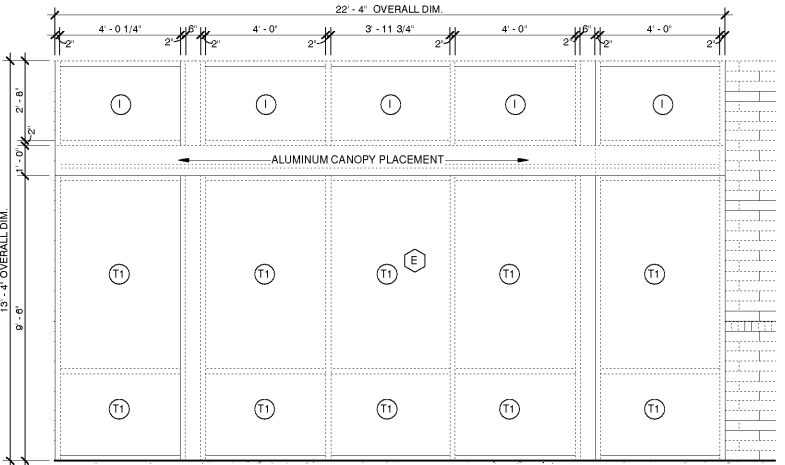
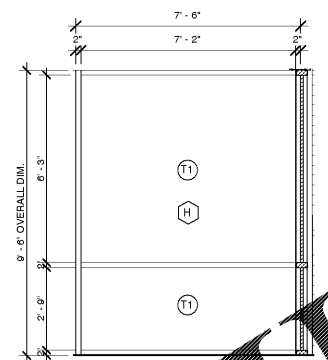


21 STOREFRONT D NORTH ELEVATION
3/8" = 1'-0"



13 STOREFRONT E WEST ELEVATION
3/8" = 1'-0"



5 STOREFRONT H
3/8" = 1'-0"

LEGEND

◇ ALUMINUM STOREFRONT - MFR: KAWNEER, COLOR TO MATCH BM #HC-166 KENDALL CHARCOAL

MINIMUM GLAZING SPEC:

- PPG SOLARBAN 70XL (OR APPROVED EQUAL)
- A. 1" DUAL-PANE, INSULATED
- B. LOW-E GLAZING
- C. SHGC: 0.27
- D. U-FACTOR: 0.28

T1 1" TEMPERED AND INSULATED GLAZING, SAFETY GLASS CATEGORY II.

TS TEMPERED, SINGLE-PANE GLAZING AT DOOR, SAFETY GLASS CATEGORY II.

I 1" INSULATED GLAZING

12 1 1/8" INSULATED GLAZING

S SINGLE-PANE GLAZING

○ BREAK METAL STOREFRONT FINISH FIELD VERIFY FIELD TO WID

NOTES:

- OVERALL DIMENSION INCLUDES SHIM AND SEALANT. FINISH SPACING SEE DETAIL FOR FURTHER INFORMATION.
- FIELD VERIFY STOREFRONT FINISH FOR DOOR HARDWARE AND ADDITIONAL DETAILS.

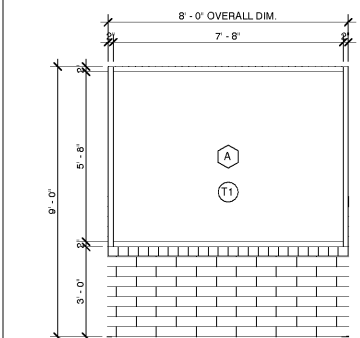
GLAZING IN THIS DRAWING SHALL BE SAFETY GLASS, CATEGORY II AS PER SECTION B2406.4.1.

Bakery-Cafe:
#6119
SYSTEM: G4 (A602)

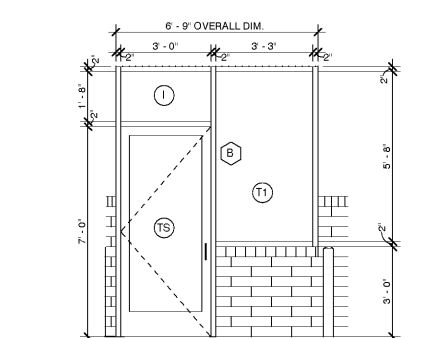
Professional Seal:
architect of record: William F. Arthur
License Number: AR0012074

Project Title:
Bakery Cafe #6119
6351 MANATEE AVE W,
BRADENTON, FL 34209

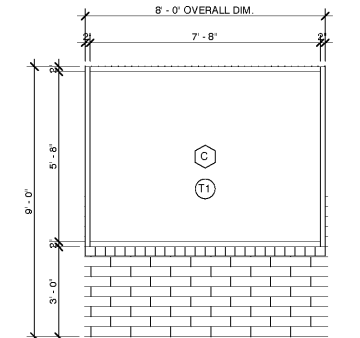
whoo.com
p.o. box 14,2116
coral gables, florida
33114,2116
v. 305.445.3100
f. 305.259.3986
license number: AA26002436



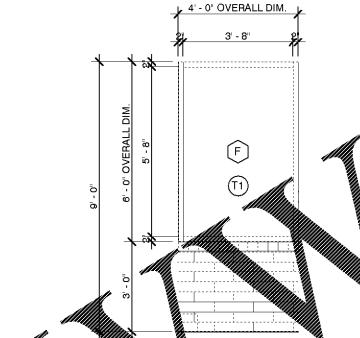
22 STOREFRONT A NORTH ELEVATION
3/8" = 1'-0"



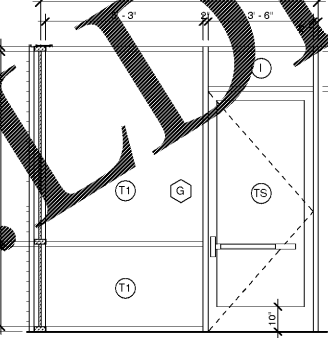
18 STOREFRONT B NORTH ELEVATION
3/8" = 1'-0"



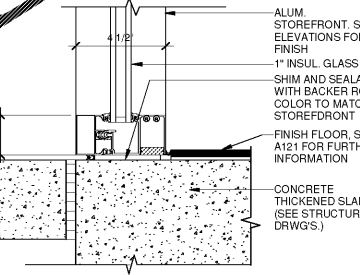
14 STOREFRONT C NORTH ELEVATION
3/8" = 1'-0"



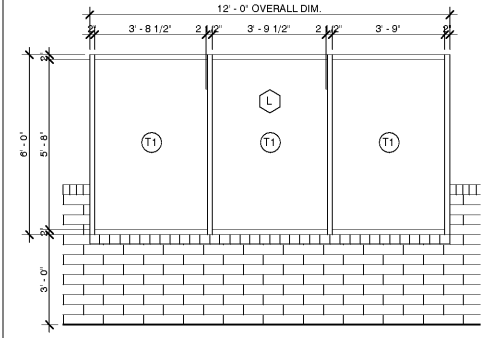
10 STOREFRONT F WEST ELEVATION
3/8" = 1'-0"



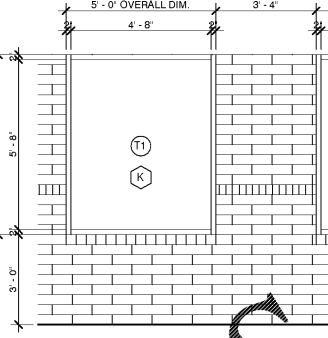
6 STOREFRONT G
3/8" = 1'-0"



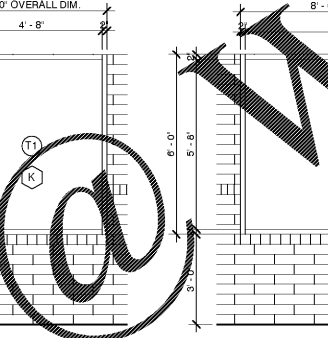
2 STOREFRONT SILL DETAIL
3" = 1'-0"



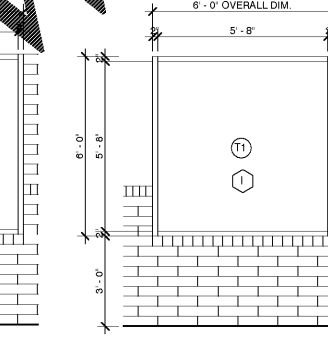
23 STOREFRONT L SOUTH ELEVATION
3/8" = 1'-0"



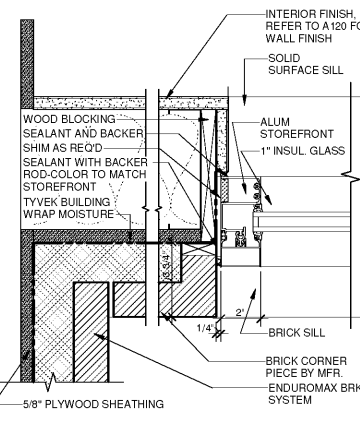
19 STOREFRONT K SOUTH ELEVATION
3/8" = 1'-0"



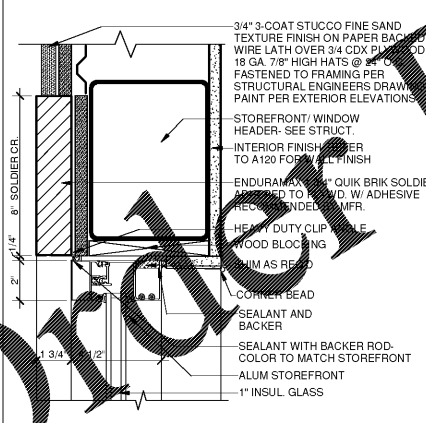
11 STOREFRONT J EAST ELEVATION
3/8" = 1'-0"



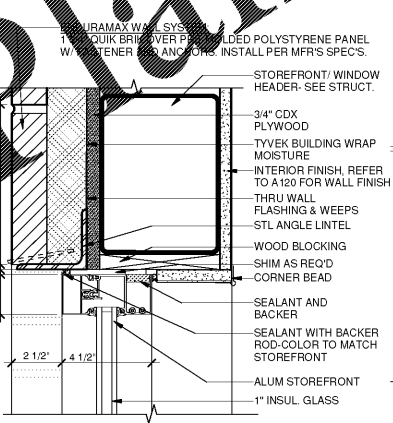
7 STOREFRONT I EAST ELEVATION
3/8" = 1'-0"



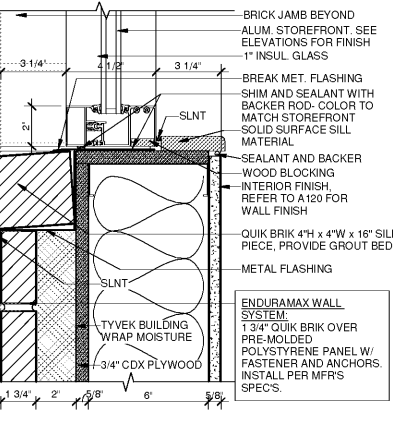
3 STOREFRONT JAMB DETAIL
3" = 1'-0"



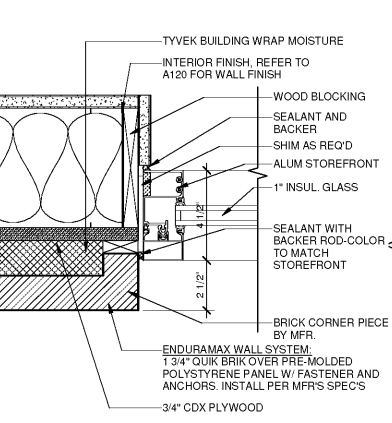
2 STOREFRONT HEAD DETAIL
3" = 1'-0"



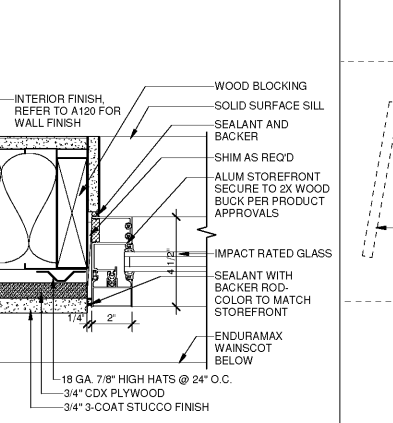
20 STOREFRONT HEAD DETAIL
3" = 1'-0"



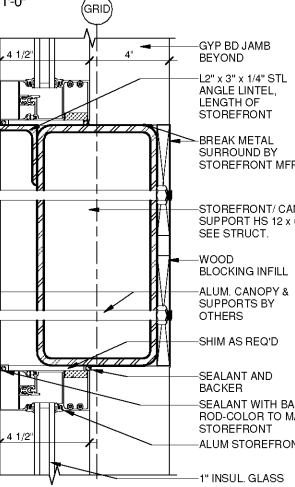
16 STOREFRONT SILL
3" = 1'-0"



12 STOREFRONT JAMB DETAIL
3" = 1'-0"



8 STOREFRONT JAMB DETAIL
3" = 1'-0"



4 STOREFRONT/CANOPY DETAIL
3" = 1'-0"

No.	Description	Date

STOREFRONT/GLAZING ELEVATIONS, SCHEDULES, & DETAILS

Project Number: #6119
Sheet Number: A602
Drawn By: MMH/NH
Issue Date: 09.30.18
J.R. D.C. C.P.M. R.K.

11/1/2018 4:43:45 PM

Original Plans