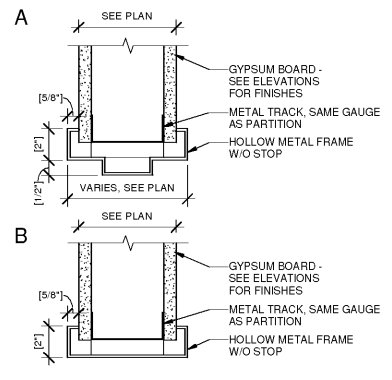
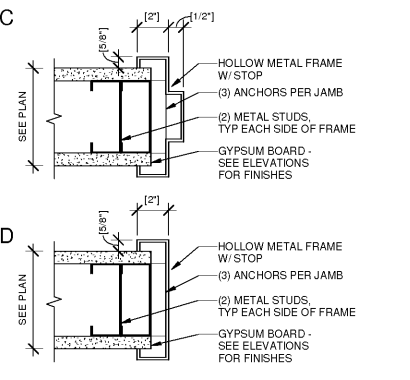
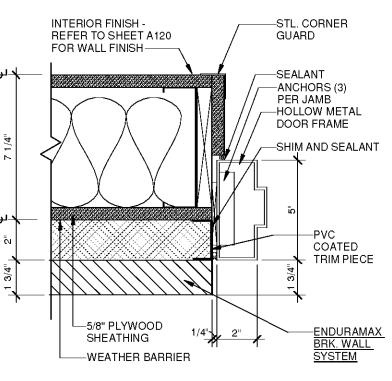


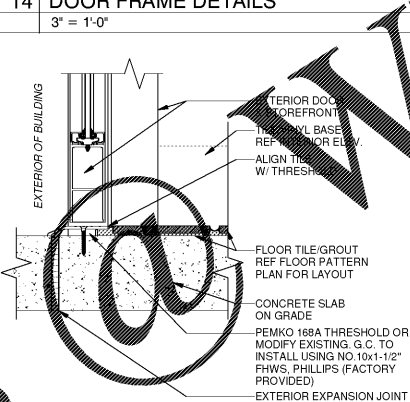
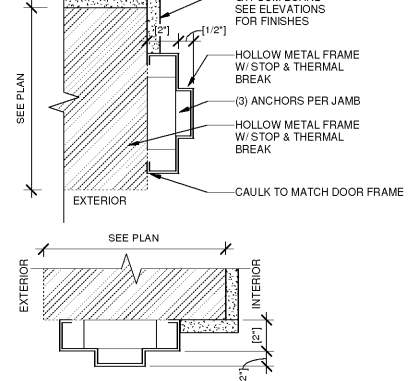
11/1/2018 3:03:48 PM



17 INTERIOR DOOR FRAME DETAILS
3" = 1'-0"



14 DOOR FRAME DETAILS
3" = 1'-0"



HARDWARE SCHEDULE

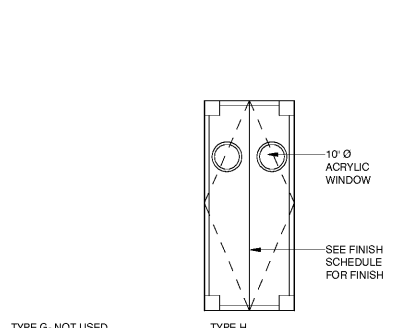
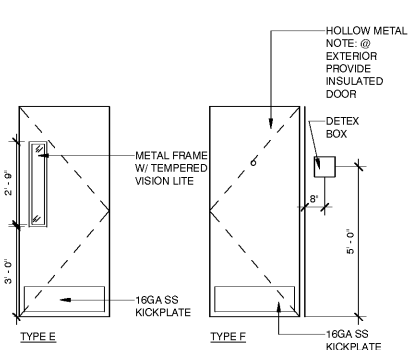
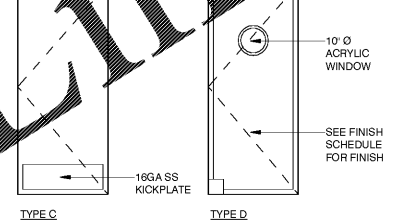
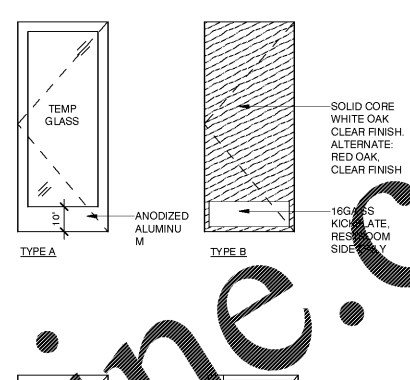
QTY	PROVIDE: PER DOOR	SUPPLIER
GROUP 1 - (DOUBLE ENTRY W/ LOCK) - MATCH STOREFRONT FINISH		
1 EACH	CONTINUOUS GEAR HINGE, CONCEALED 780-224HD	HAGER
1 EACH	EXIT DEVICE 25-C (PANIC BAR)	FALCON
1 EACH	PULL 12L	HAGER
1 EACH	CYLINDER (VERIFY CAM & FINISH MAT'L)	FALCON
1 EACH	CLOSER, HEAVY DUTY, 4041 (4040 SERIES)	LN
1 EACH	THRESHOLD, HEAVY DUTY, 1716 (OR, AT TILE USE SADDLE, 229 INSTEAD)	PEMKO
1 EACH	WEATHERSTRIP 315SSR	PEMKO
1 EACH	STOP - AS REQUIRED, WALL-WS407CCV, FLOOR-FS436 OR FS438	IVES
GROUP 1A - (DOUBLE ENTRY W/OUT LOCK) - MATCH STOREFRONT FINISH		
1 EACH	CONTINUOUS GEAR HINGE, CONCEALED 780-224HD	HAGER
1 EACH	PUSH/PULL SET 160D-34B	FALCON
1 EACH	CYLINDER (VERIFY CAM & FINISH MAT'L)	FALCON
1 EACH	CLOSER, 8618FHP W/ DSBT	DORMA
1 EACH	WEATHERSTRIP 315SSR	PEMKO
1 EACH	STOP - AS REQUIRED, WALL-WS407CCV, FLOOR-FS436 OR FS438	IVES
GROUP 1B - (SINGLE ENTRY W/LOCK) - MATCH STOREFRONT FINISH		
1 EACH	CONTINUOUS GEAR HINGE, CONCEALED 780-224HD	HAGER
1 EACH	EXIT DEVICE 25-R (PANIC BAR)	FALCON
1 EACH	PULL 12L	HAGER
1 EACH	CYLINDER (VERIFY CAM & FINISH MAT'L)	FALCON
1 EACH	CLOSER, HEAVY DUTY, 4041 (4040 SERIES)	LN
1 EACH	THRESHOLD, HEAVY DUTY, 1716 (OR, AT TILE USE SADDLE, 229 INSTEAD)	PEMKO
1 EACH	WEATHERSTRIP 315SSR	PEMKO
1 EACH	STOP - AS REQUIRED, WALL-WS407CCV, FLOOR-FS436 OR FS438	IVES
GROUP 2 - (SERVICE DOOR)		
1 EACH	CONTINUOUS PIANO HINGE, 780-210HD	HAGER-ROTON
1 EACH	EXIT DEVICE 18-R-EQ (PANIC BAR)	LN
1 EACH	CLOSER, HEAVY DUTY, 4041 (4040 SERIES)	LN
1 EACH	EXIT ALARM EXK-2500 (FLUSH-MOUNTED)	DET-X
1 EACH	THRESHOLD, HEAVY DUTY, 1716 (OR, AT TILE USE SADDLE, 229 INSTEAD)	PEMKO
1 EACH	SWEEP 307AV - SIZE AS REQUIRED	PEMKO
1 EACH	WEATHERSTRIP 303AV - SIZE AS REQUIRED	PEMKO
2 EACH	KICK PLATE 24"X34" (US32D FINISH)	IVES
1 EACH	WIDE ANGLE VIEWER 698	ROBRICK
1 EACH	24" HC STAINLESS GRAB BAR BUMPER- B-5806-24 OR EQUIV.	IVES
1 EACH	STOP - AS REQUIRED, WALL-WS407CCV, FLOOR-FS436 OR FS438	IVES
GROUP 3A - RESTROOM (MULTI-USE) PASSAGE		
1 1/2 PAIR	HINGE B81279 4 1/2" X 4 1/2"	HAGER
1 EACH	PULL 8302B 3 1/2" X 1 1/2" PA28	IVES
1 EACH	PUSH 8200 3 1/2" X 1 1/2" PA28	IVES
1 EACH	CLOSER, 8618FHP W/ DSBT	DORMA
3 EACH	SILENCERS GJ64	GLYNN JOHNSON
2 EACH	KICK PLATE 12"X34" (US32D FINISH)	IVES
1 EACH	STOP - AS REQUIRED, WALL-WS407CCV, FLOOR-FS436 OR FS438	IVES
GROUP 3B - RESTROOM (SINGLE-USE)		
1 1/2 PAIR	HINGE B81279 4 1/2" X 4 1/2"	HAGER
1 EACH	CYLINDER B-SERIES, B581, "D" LEVER STYLE, PRIVACY FUNCTION	FALCON
1 EACH	DEADBOLT W/ "IN USE" & "VACANT" INDICATOR D271-826 STAIN CHROME FINISH	DORMA
1 EACH	CLOSER 8618FHP W/ DSBT	DORMA
3 EACH	SILENCERS GJ64	GLYNN JOHNSON
2 EACH	KICK PLATE 12"X34" (US32D FINISH)	IVES
1 EACH	STOP - AS REQUIRED, WALL-WS407CCV, FLOOR-FS436 OR FS438	IVES
GROUP 4 - (OFFICE/PRIVACY)		
1 1/2 PAIR	HINGE B81279 4 1/2" X 4 1/2"	HAGER
1 EACH	CYLINDER B-SERIES, B581, "D" LEVER STYLE, STOREFRONT FUNCTION	FALCON
1 EACH	CLOSER 8618FHP (NON HOLD OPEN)	DORMA
3 EACH	SILENCERS GJ64	GLYNN JOHNSON
1 EACH	STOP - AS REQUIRED, WALL-WS407CCV, FLOOR-FS436 OR FS438	IVES
2 EACH	KICK PLATE 12"X34" (US32D FINISH)	IVES
GROUP 5 - CLOSET		
1 1/2 PAIR	HINGE B81279 4 1/2" X 4 1/2"	HAGER
1 EACH	CYLINDER B-SERIES, B581, "D" LEVER STYLE, STOREFRONT FUNCTION	FALCON
3 EACH	SILENCERS GJ64	GLYNN JOHNSON
1 EACH	STOP - AS REQUIRED, WALL-WS407CCV, FLOOR-FS436 OR FS438	IVES
2 EACH	KICK PLATE 12"X34" (US32D FINISH)	IVES

HARDWARE GENERAL NOTES:

- G.C. TO FURNISH & INSTALL FALCON CYLINDER IN ALL PERIMETER DOORS. ALL PERIMETER DOORS TO BE KEYPED ALIKE. PROVIDE KEYWAY ON EXTERIOR FACE.
- G.C. TO FURNISH & INSTALL FALCON CYLINDER IN ALL INTERIOR H.M. DOORS. ALL INTERIOR DOORS TO BE KEYPED ALIKE. PROVIDE KEYWAY ON EXTERIOR FACE.
- G.C. TO FURNISH & INSTALL PADLOCK WITH 4" SHANK FOR WALK-IN COOLER/FREEZER DOORS. PADLOCK TO BE KEYPED ALIKE WITH INTERIOR DOORS.
- ALL HOLLOW METAL DOOR FRAMES ARE TO BE WELDED.
- G.C. TO FURNISH & INSTALL PANIC HARDWARE PER ALL APPLICABLE REGULATIONS & CODES HAVING JURISDICTION.
- DOOR STOPS & BUMPERS TO BE INSTALLED BEHIND ALL DOORS.
- ALL EXTERIOR HARDWARE TO MATCH STOREFRONT, USE US28 SATIN ALUMINUM FOR CLEAR ANODIZED FINISH, & US10B DARK BRONZE FOR BRONZE STOREFRONT. USE US29 SATIN ALUMINUM FOR ALL INTERIOR HARDWARE.
- G.C. TO SUPPLEMENT EXISTING HARDWARE AS REQUIRED (FOR EXISTING DOORS) TO MATCH PANERA'S SPECIFICATIONS - REPLACE HINGES IF NECESSARY.
- NO THRESHOLD REQUIRED AT INTERIOR VESTIBULE DOORS.

DOOR SCHEDULE

NUM	NEW/EX	LEAVE	DOOR				FRAME			HARDWARE	COMMENTS	FINISH NOTES	KEYING	
			S	W	H	T	MATERIAL	TYPE	JAMB					HEAD
101	NEW	1	3'-0"	8'-0"	1 3/4"	ALUM	A	ALUM	15/A611	19/A611	1B	8.9		
102	NEW	1	3'-0"	8'-0"	1 3/4"	ALUM	A	ALUM	17/A601	17/A601	1B	8.9		
103	NEW	1	3'-0"	7'-0"	1 3/4"	ALUM	A	ALUM	23/A611	19/A611	1C	8.9		
104	NEW	1	3'-0"	7'-0"	1 3/4"	WD	C	HM	17/A601	17/A601	3A	7.9		
105	NEW	1	3'-0"	7'-0"	1 3/4"	WD	C	HM	17/A601	17/A601	3A	7.9		
106	NEW	1	3'-0"	7'-0"	1 3/4"	HM	E	HM	17/A601	17/A601	4	8.9		
107	NEW	1	3'-0"	7'-0"	1 3/4"	HM	F	HM	14/A601	14/A601	2	4.6.9		



DOOR SCHEDULE NOTES:

- SUPPLEMENT EXISTING HARDWARE AS REQUIRED TO MEET PANERA'S SPEC.
- PERMANENTLY SECURE EXISTING DOOR PRIOR TO INTERIOR FURRING.
- HARDWARE FURNISHED WITH DOOR.
- CONTRACTOR TO VERIFY CONDITION OF EXISTING DOOR & CONFIRM IF REPLACEMENT IS REQUIRED.
- PROVIDE EYE VIEWER INSTEAD OF SECURITY WINDOW.
- KITCHEN DOORS: ELIASON SCP-8 MODEL (ALTERNATE: CHASE PROLINE 350P) W/ PLAM ANTIQUE WHITE FINISHED BOTH SIDES & 10" ROUND ACRYLIC WINDOW, 18" S.S. BASE (BOTH SIDES) W/ STAINLESS STEEL EDGE TRIM & HINGE COVERS. DOOR FURNISHED WITH BLACK ALUM BUMPER STRIP (32" AFF) BY MANUFACTURER.
- BACK OF HOUSE METAL DOORS & METAL FRAMES - (ELIASON, OFFICE & SERVICE), PAINT BENJAMIN MOORE #1457 - WHITE WINGED DOVE (P156).
- RESTROOM DOOR FRAME, PAINT BENJAMIN MOORE #2108-60 - ABALONE (P153) TO RESTROOM INSIDE DOOR STOP.
- ALL PANIC BARS AND PUSH BARS TO BE MOUNTED ON DOORS BETWEEN 30" AND 40" ABOVE FINISHED FLOOR.
- SEE DOOR CLOSER HARDWARE ITEMS SO THAT ALL INTERIOR DOORS DO NOT REQUIRE MORE THAN 8 LBS. TO OPERATE AND EXTERIOR DOORS NOT TO EXCEED 8.5 LBS. OF FORCE TO OPERATE.
- ROOF HATCH, PROVIDE KEYPED PADLOCK.

Bakery-Cafe:
#6119
Project:
SYSTEM: G4 (A601)

whocobuild.com

p.o. box 14,2116
coral gables, florida
33114,2116
v. 305.445.3100
f. 305.259.3986
license number: AA26002436

Professional Seal:

architect of record: William F. Arthur
License Number: AR0012074

Project Title:

Bakery Cafe #6119
6351 MANATEE AVE W,
BRADENTON, FL 34209

CONSTRUCTION DRAWINGS

Panera
BREAD

These plans and specifications are the exclusive property of WHA Design. Any reproduction, modification, distribution, and/or use of these materials (or any portion thereof) without WHA Design's prior written consent is strictly prohibited.

No.	Description	Date

Project Number: #6119
Sheet Number: A601

DOOR ELEVATIONS, SCHEDULES, & DETAILS

Drawn By: MMH/NH
Issue Date: 09.30.18

DFM: DM: CPM:
J.R. D.C. R.K.

Order Plans