

11/1/2018 3:03:00 PM

Bakery-Cafe:

#6119

SYSTEM: G4, (A510)

Project Title:

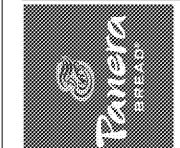
whaoo.com
p.o. box 14,2116
coral gables, florida
33114,2116
v. 305.445.3100
f. 305.259.3986
license number: AA26002436

Professional Seal:

architect of record: William F. Arthur
License Number: AR0012074

Project Title:

Bakery Cafe #6119
6351 MANATEE AVE W,
BRADENTON, FL 34209



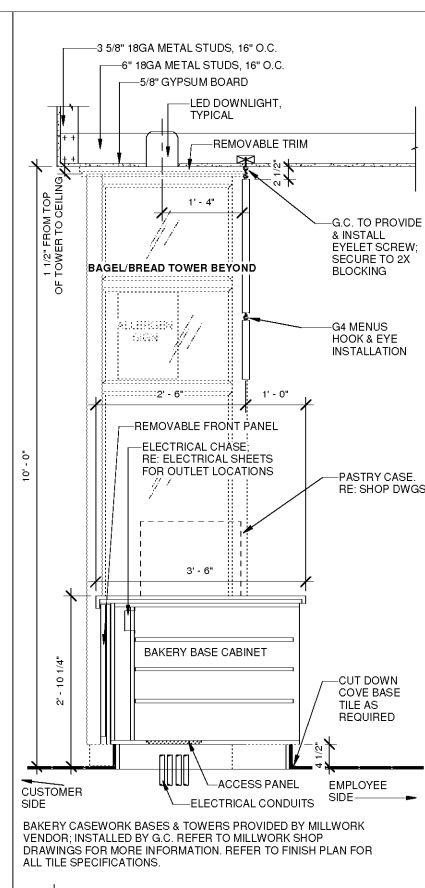
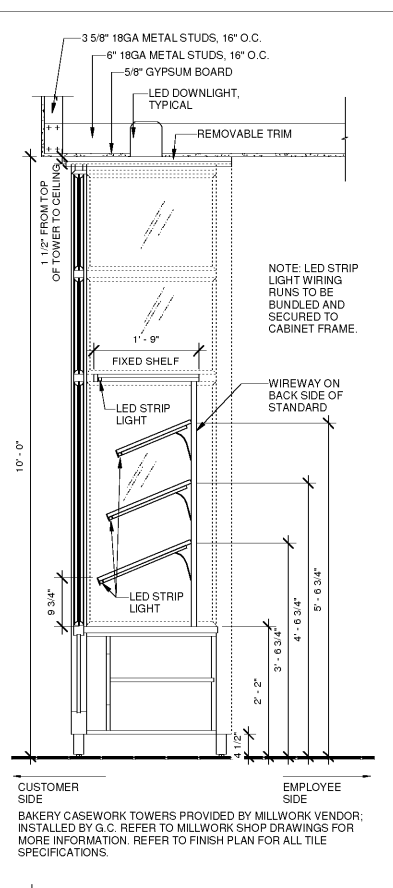
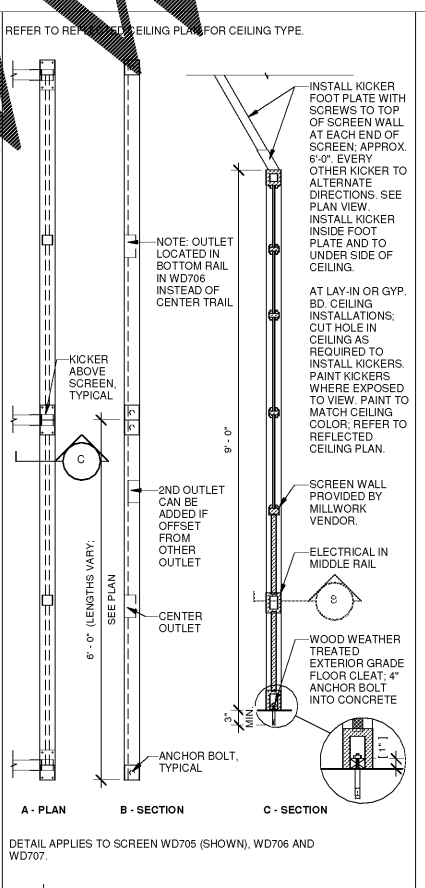
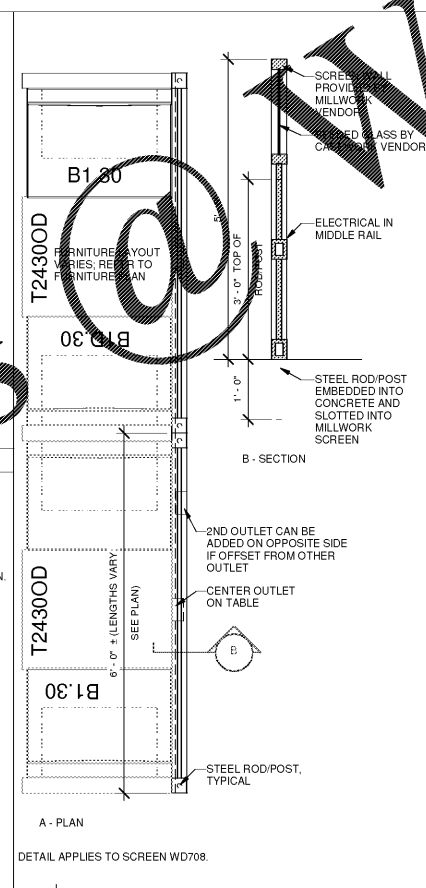
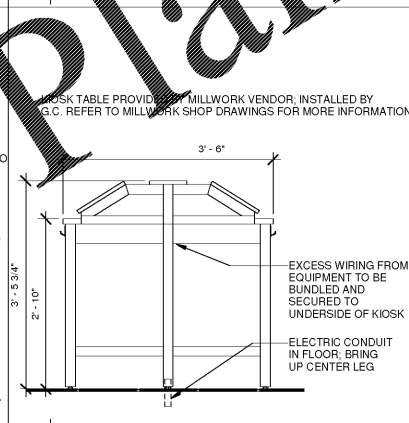
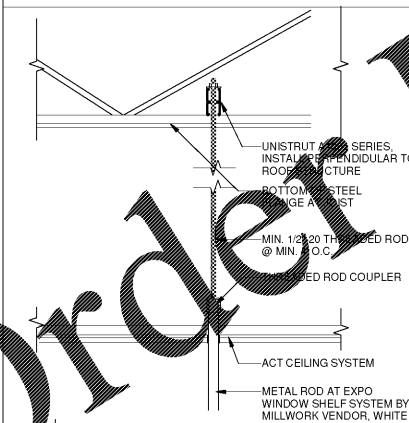
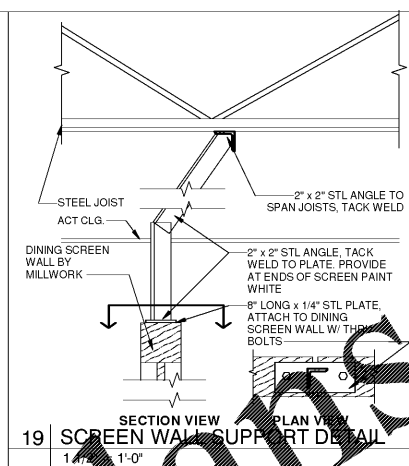
These plans and specifications are the exclusive property of WHA Design. Any reproduction, modification, distribution, and/or use of these materials (or any portion thereof) without WHA Design's prior written consent is strictly prohibited.

No.	Description	Date

CASEWORK SECTIONS & DETAILS

Project Number: #6119
Sheet Number: A510
Drawn By: MMH/NH
Issue Date: 09.30.18
JRM D.M. CPM
J.R. D.C. R.K.

Order Plans



CONSTRUCTION DRAWINGS

WWW.LDILine.com