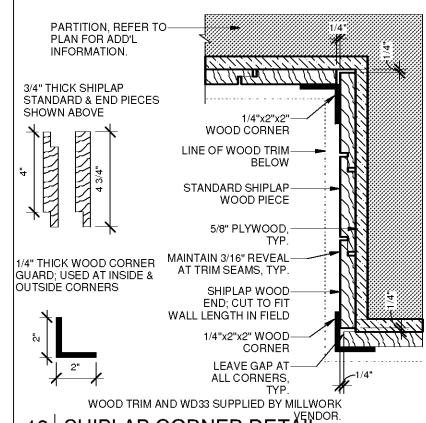
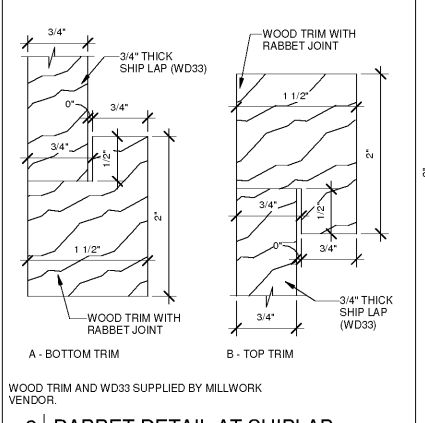


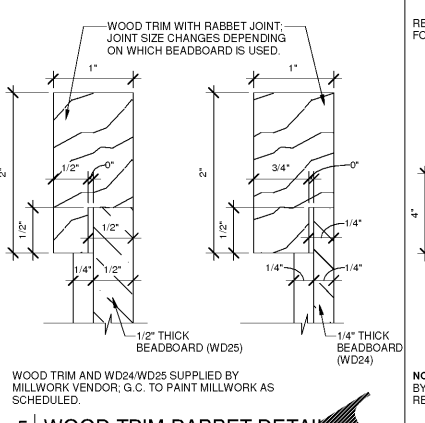
11/1/2018 3:02:48 PM



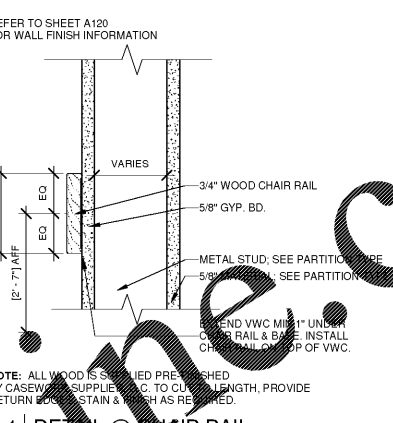
13 SHIPLAP CORNER DETAIL
3\"/>



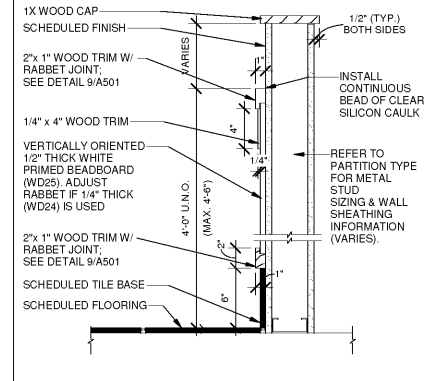
9 RABBIT DETAIL AT SHIPLAP
12\"/>



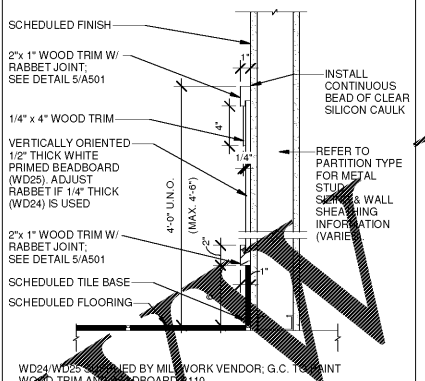
5 WOOD TRIM RABBIT DETAIL
12\"/>



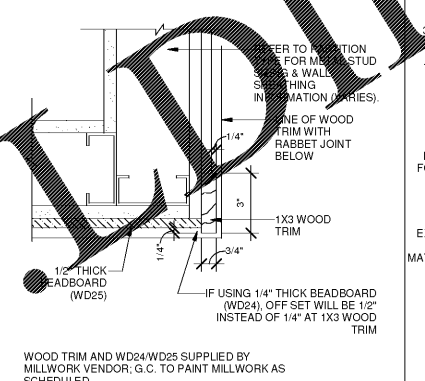
1 DETAIL @ CHAIR RAIL
3\"/>



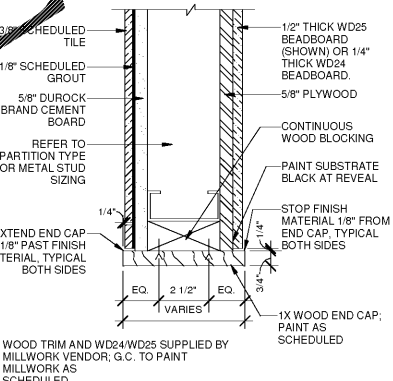
14 WAINSCOT DTL @ PARTIAL HT WALL
1 1/2\"/>



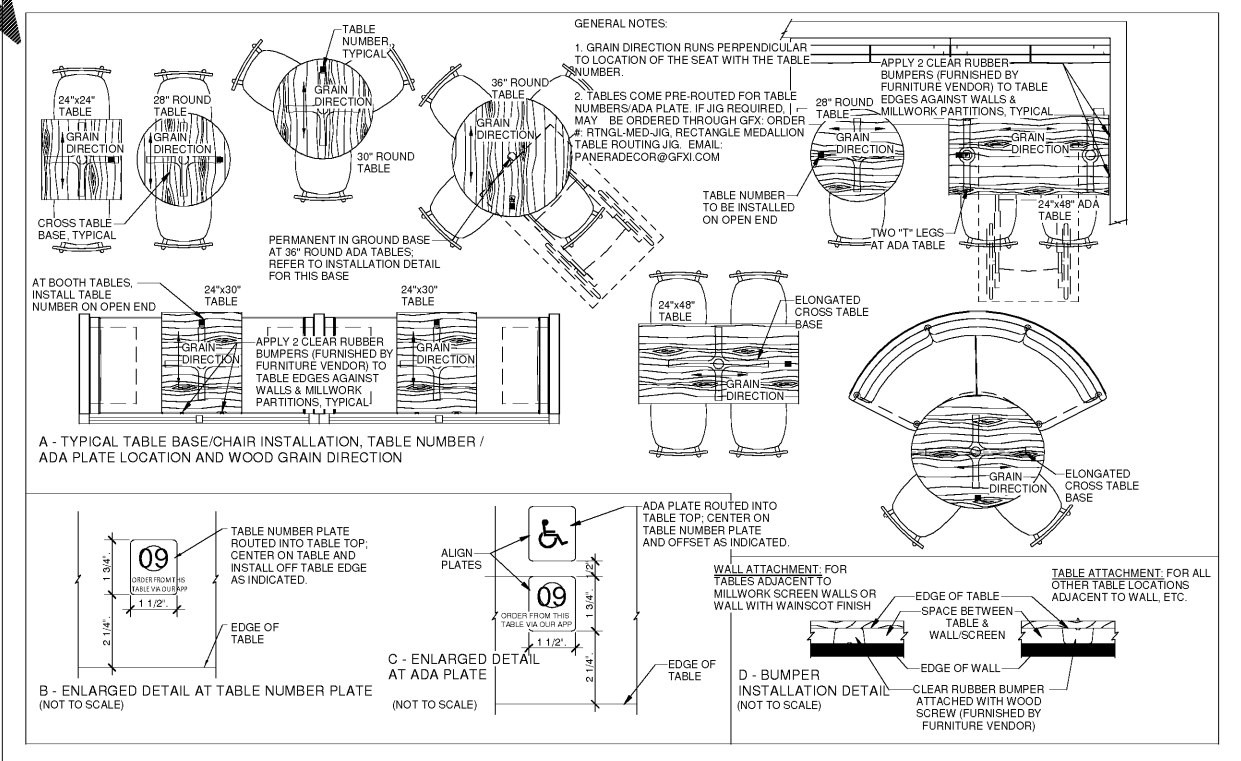
12 WAINSCOT DTL @ FULL HT WALL
12\"/>



6 WAINSCOT CORNER DETAIL
3\"/>



2 TYPICAL WOOD END CAP
3\"/>

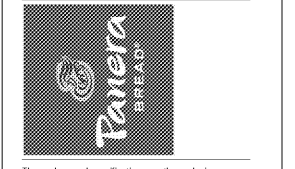


12 DINING FURNITURE DETAILS
1/2\"/>

Bakery-Cafe:
#6119
 SYSTEM: G4 (A10)
 Project 1:
 p.o. box 14,2116
 coral gables, florida
 33114, 2116
 v. 305.445.3100
 f. 305.259.3986
 license number: AA26002436

Professional Seal:
 architect of record: William F. Arthur
 License Number: AR0012074
 Project Title:

CONSTRUCTION DRAWINGS
Bakery Cafe #6119
 6351 MANATEE AVE W,
 BRADENTON, FL 34209



These plans and specifications are the exclusive property of WHA Design. Any reproduction, modification, distribution, and/or use of these materials (or any portion thereof) without WHA Design's prior written consent is strictly prohibited.

No.	Description	Date

INTERIOR DETAILS
 Project Number: #6119
 Sheet Number: **A501**
 Drawn By: MMH/NH
 Issue Date: 09.30.18
 DPM: DM: CPM:
 J.R. D.C. R.K.

Order Plans @ WHA