

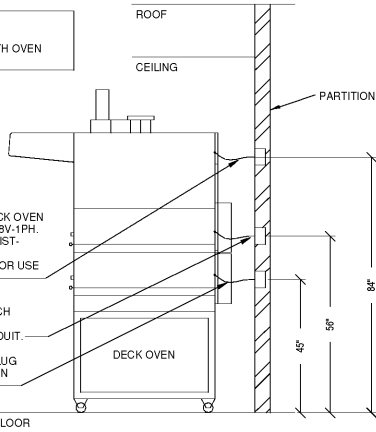
NOTE:
VERIFY EXACT REQUIREMENTS WITH OVEN SUPPLIER.

PROVIDE HEAVY DUTY RECEPTACLE ROUGH-IN FOR CONNECTION TO DECK OVEN HOOD EXHAUST. 20 AMP CIRCUIT, 208V-1PH. (3) #12 IN 3/4" CONDUIT. PROVIDE TWIST-LOCK TYPE QUICK DISCONNECT CONNECTION, (WHERE REQUIRED, FOR USE WITH STANDARD DECK OVEN FAN).

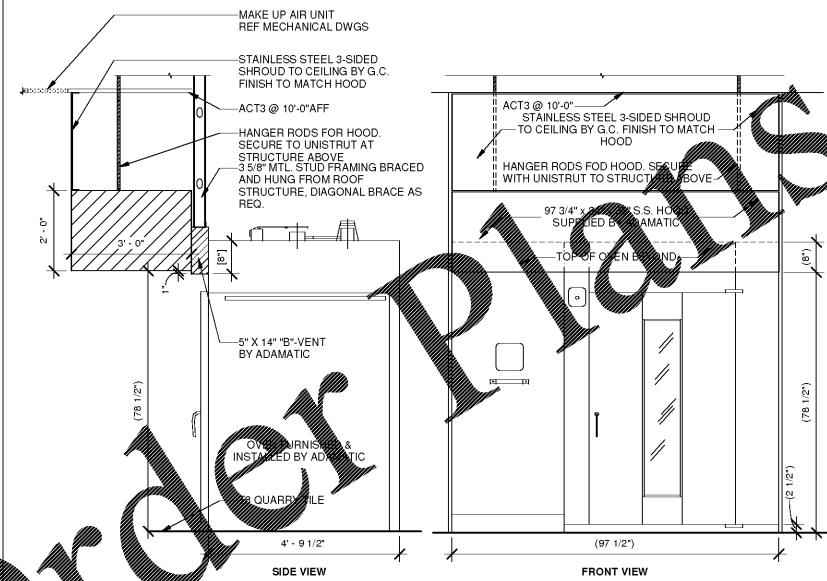
PROVIDE HEAVY DUTY RECEPTACLE ROUGH-IN FOR CONNECTION TO EACH DECK OVEN (TYPICAL OF 2). 30 AMP CIRCUIT, 208V-3PH. (4) #10 IN 1" CONDUIT.

PROVIDE HEAVY DUTY CORD AND PLUG (30 AMP) CONNECTION AT EACH OVEN (TYPICAL OF 2).

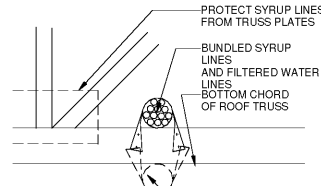
DECK OVEN ELECTRICAL CONNECTIONS
SCALE: NOT TO SCALE



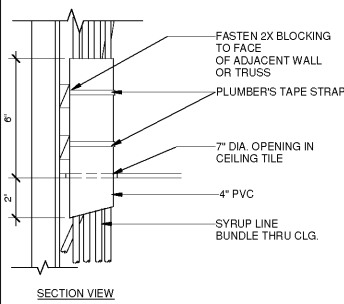
22 | EQUIP-DECK OVEN DETAIL
12" = 1'-0"



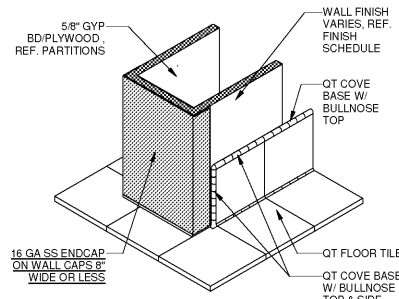
2 | TILE/GYP BD TRANSITION
1/2" = 1'-0"



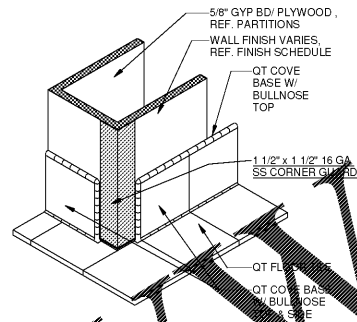
13 | SYRUP LINE IN CEILING
3" = 1'-0"



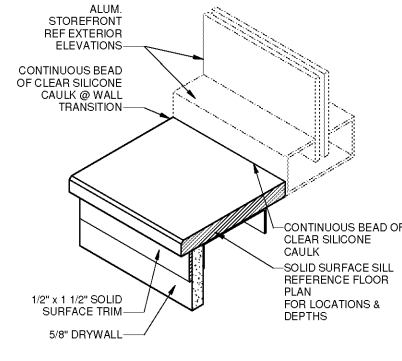
14 | SYRUP BUNDLE CLG. PENETRATION
3" = 1'-0"



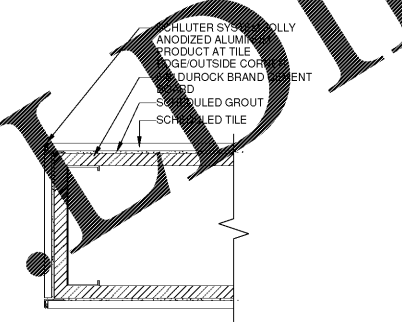
9 | TYP B.O.H. SS ENDCAP
1 1/2" = 1'-0"



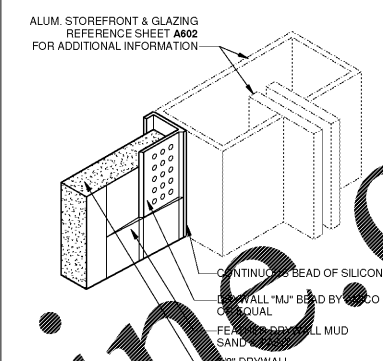
10 | TYP B.O.H. SS CORNER GUARD
1 1/2" = 1'-0"



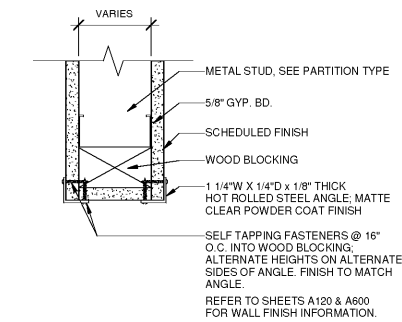
5 | PRT-DTL_SILL @ EXT WINDOW
3" = 1'-0"



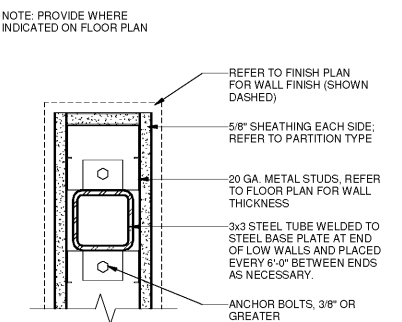
6 | SCHLUTER SYSTEM @ TILE
3" = 1'-0"



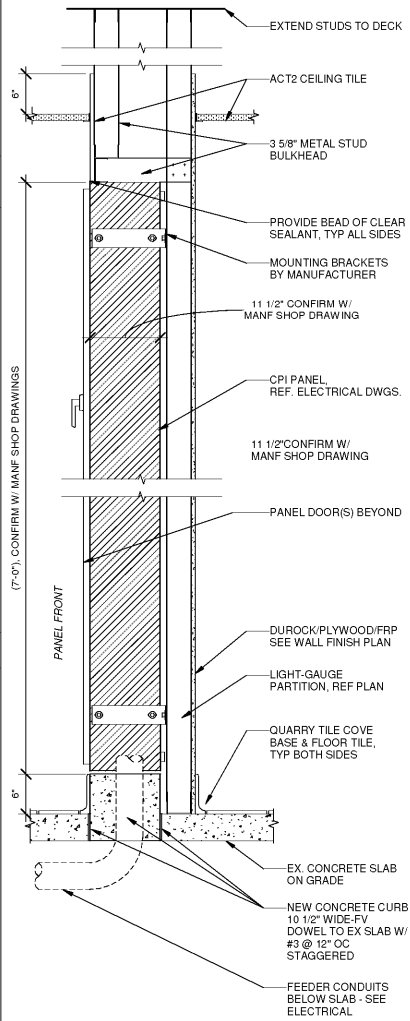
1 | DRYWALL DETAIL @ WDW FRAME
6" = 1'-0"



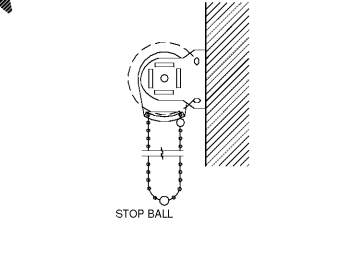
7 | OUTSIDE STEEL CORNER
3" = 1'-0"



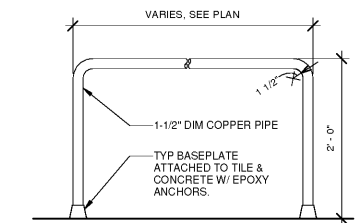
8 | PRT-DTL_LOW WALL STIFFENER
3" = 1'-0"



4 | SECTION @ CPI PANEL (BASE FEED)
1" = 1'-0"



11 | FIN-TYP ROLLER SHADE
12" = 1'-0"

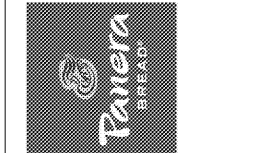


12 | PIPE RAIL/BOLLARD DETAIL
1" = 1'-0"

Bakery-Cafe:
#6119
SYSTEM: G4 (A10)
Project Title:
whocobuild.com
p.o. box 14,2116
coral gables, florida
33114,2116
t. 305.443.3100
f. 305.259.3986
license number: AA26002436

Professional Seal:
architect of record: William F. Arthur
License Number: AR0012074
Project Title:

Bakery Cafe #6119
6351 MANATEE AVE W,
BRADENTON, FL 34209



These plans and specifications are the exclusive property of WFA Design. Any reproduction, modification, distribution, and/or use of these materials (or any portion thereof) without WFA Design's prior written consent is strictly prohibited.

No.	Description	Date

INTERIOR DETAILS
Project Number: #6119
Sheet Number: A500
Drawn By: MMH/NH
Issue Date: 09.30.18
DPM: DM: CPM:
J.R. D.C. R.K.

11/1/2018 3:02:35 PM
© 2018 WFA
Order Plans