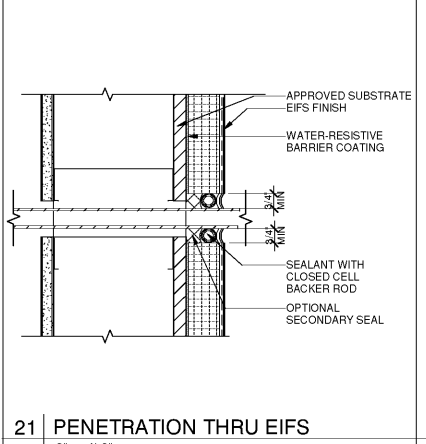
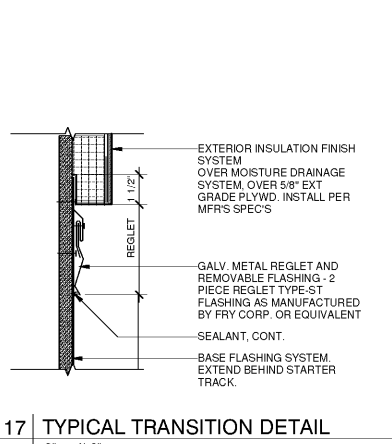


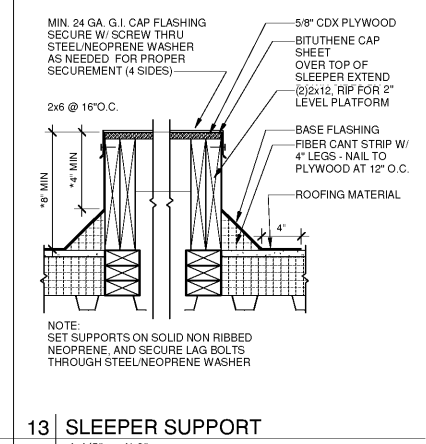
11/1/2018 2:59:52 PM



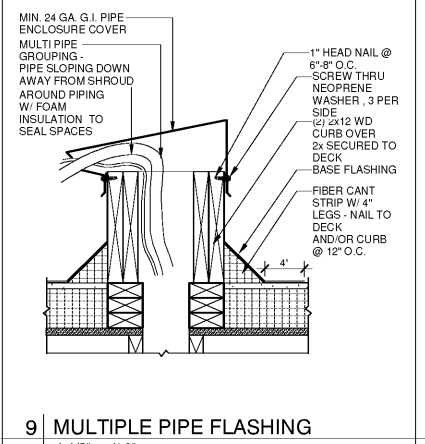
21 PENETRATION THRU EIFS  
3" = 1'-0"



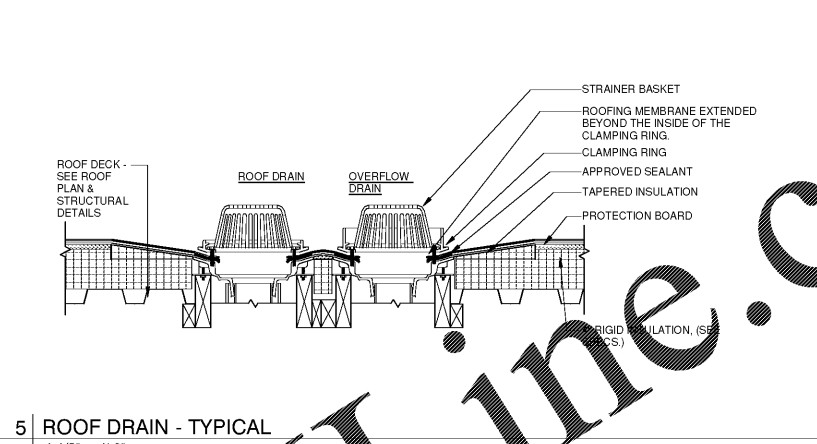
17 TYPICAL TRANSITION DETAIL  
3" = 1'-0"



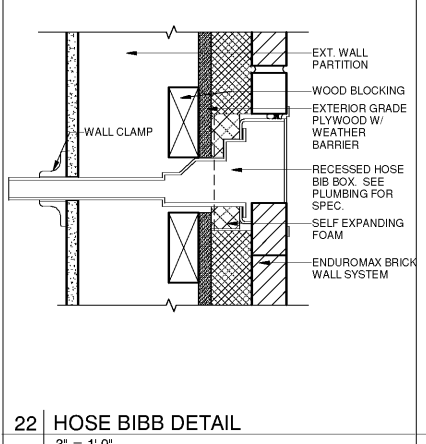
13 SLEEPER SUPPORT  
1 1/2" = 1'-0"



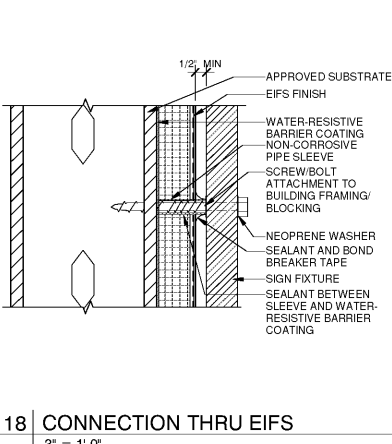
9 MULTIPLE PIPE FLASHING  
1 1/2" = 1'-0"



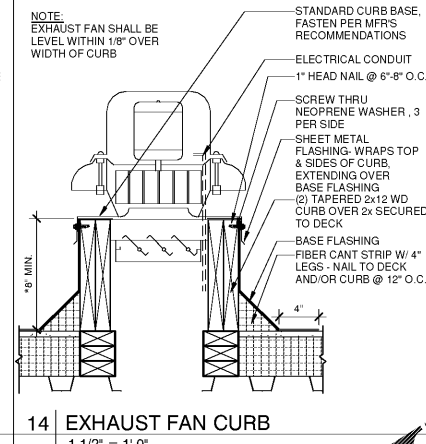
5 ROOF DRAIN - TYPICAL  
1 1/2" = 1'-0"



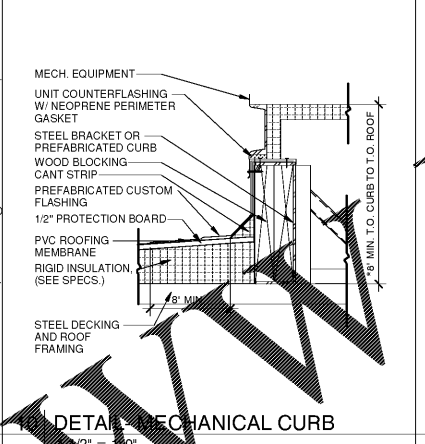
22 HOSE BIBB DETAIL  
3" = 1'-0"



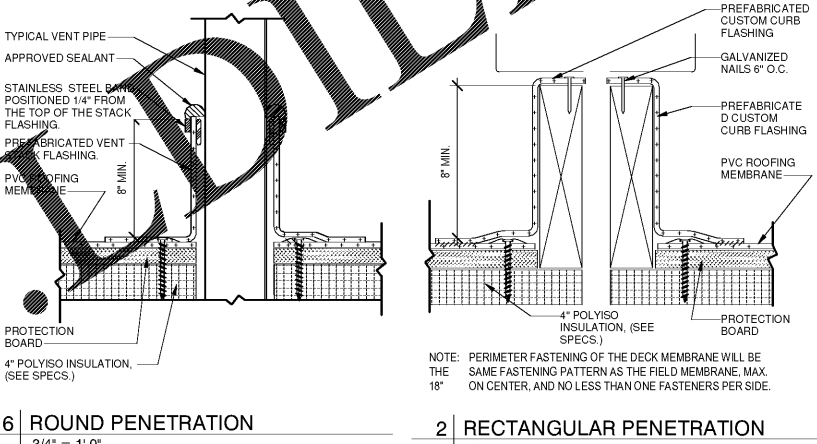
18 CONNECTION THRU EIFS  
3" = 1'-0"



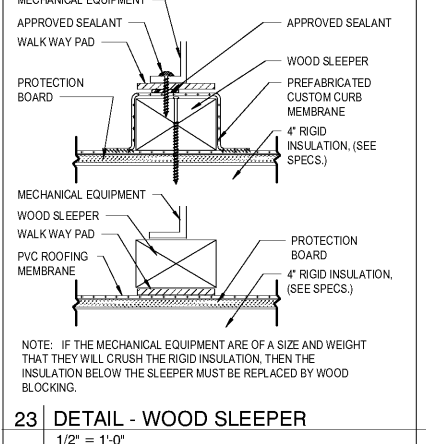
14 EXHAUST FAN CURB  
1 1/2" = 1'-0"



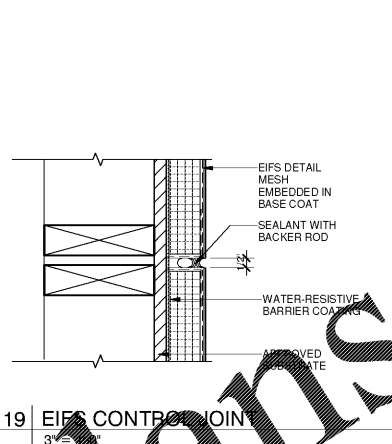
6 ROUND PENETRATION  
3/4" = 1'-0"



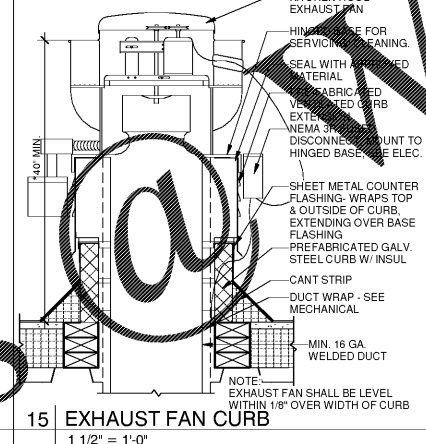
2 RECTANGULAR PENETRATION  
3/4" = 1'-0"



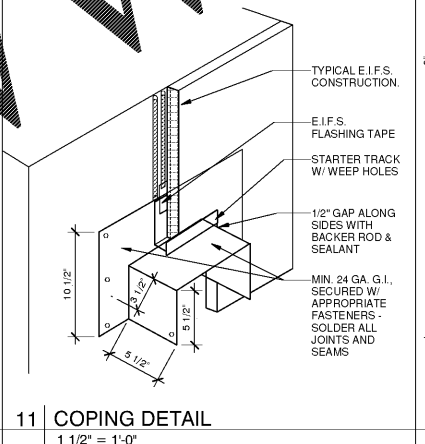
23 DETAIL - WOOD SLEEPER  
1/2" = 1'-0"



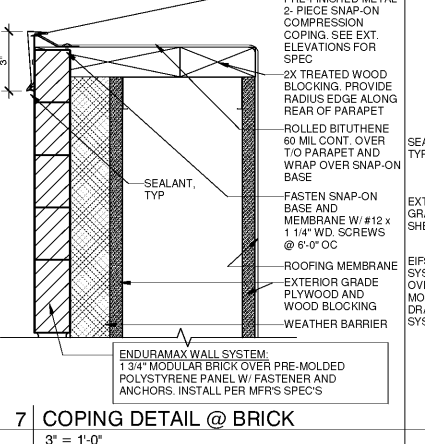
19 EIFS CONTROL JOINT  
3" = 1'-0"



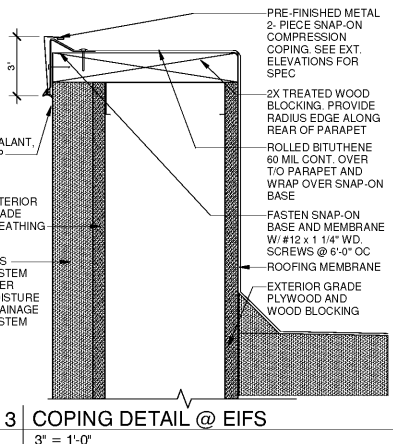
15 EXHAUST FAN CURB  
1 1/2" = 1'-0"



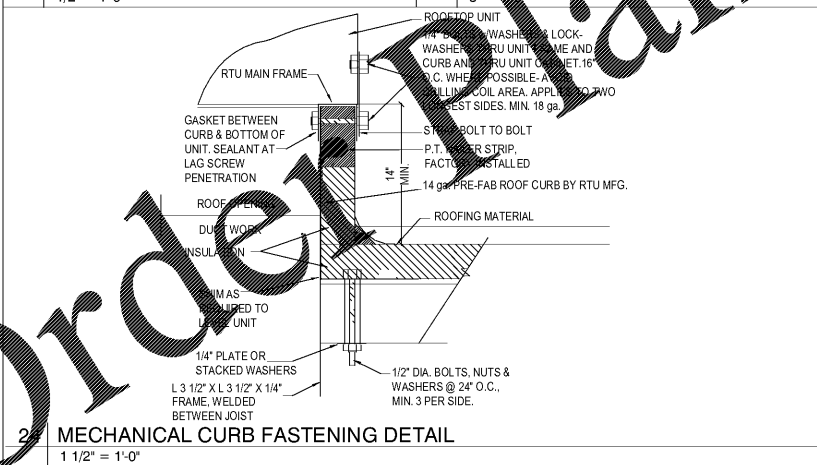
11 COPING DETAIL  
1 1/2" = 1'-0"



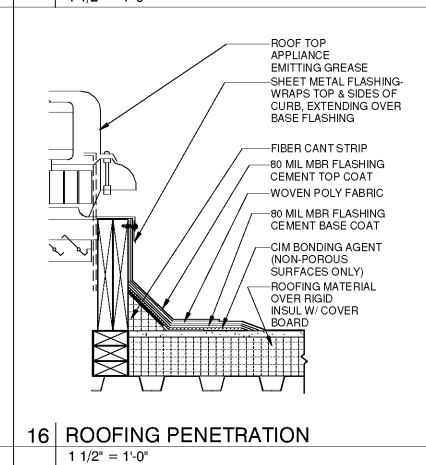
7 COPING DETAIL @ BRICK  
3" = 1'-0"



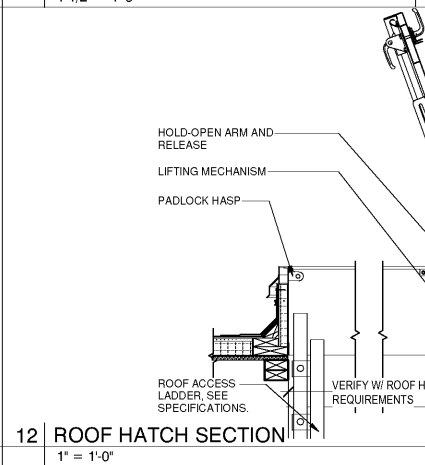
3 COPING DETAIL @ EIFS  
3" = 1'-0"



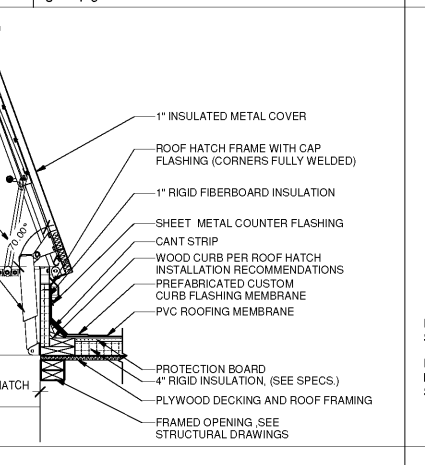
2 MECHANICAL CURB FASTENING DETAIL  
1 1/2" = 1'-0"



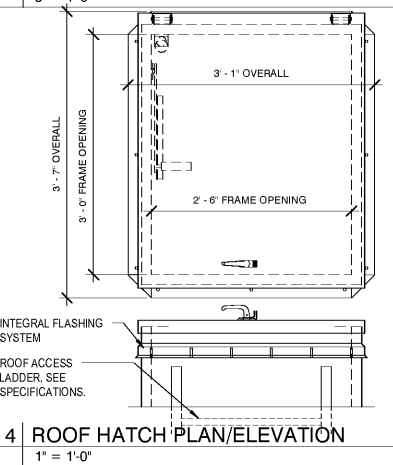
16 ROOFING PENETRATION  
1 1/2" = 1'-0"



12 ROOF HATCH SECTION  
1" = 1'-0"



4 ROOF HATCH PLAN/ELEVATION  
1" = 1'-0"



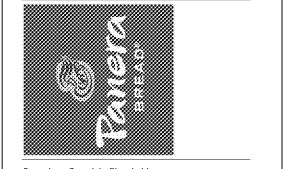
3 ROOF HATCH PLAN/ELEVATION  
1" = 1'-0"

Bakery-Cafe:  
#6119  
SYSTEM: G4 (A141)

Professional Seal:

Project Title:

Bakery Cafe #6119  
6351 MANATEE AVE W,  
BRADENTON, FL 34209



Consultant Copyright Placeholder

No.	Description	Date

ROOF DETAILS  
Project Number: #6119 Sheet Number: A141  
Drawn By: MMH/NH  
Issue Date: 09.30.18  
DPM DM CPM  
DPM DM CPM

Order Plans