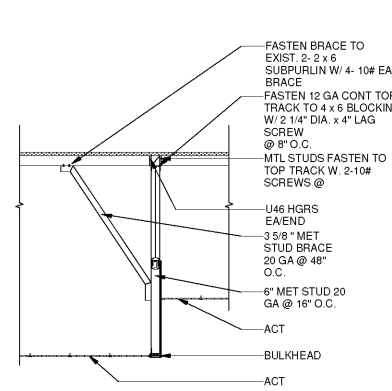
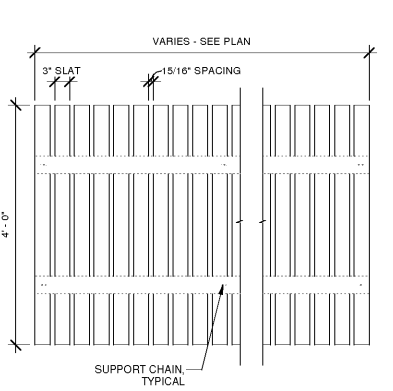


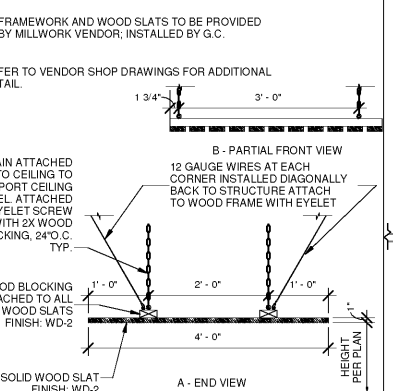
11/11/2018 2:59:22 PM



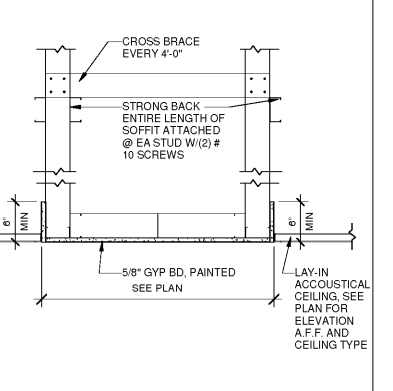
17 DETAIL AT CEILING
1/4" = 1'-0"



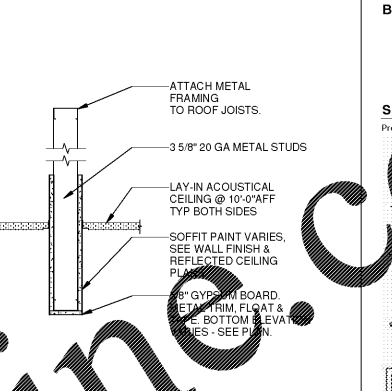
13 WOOD SLAT CEILING PLAN DIM
3/4" = 1'-0"



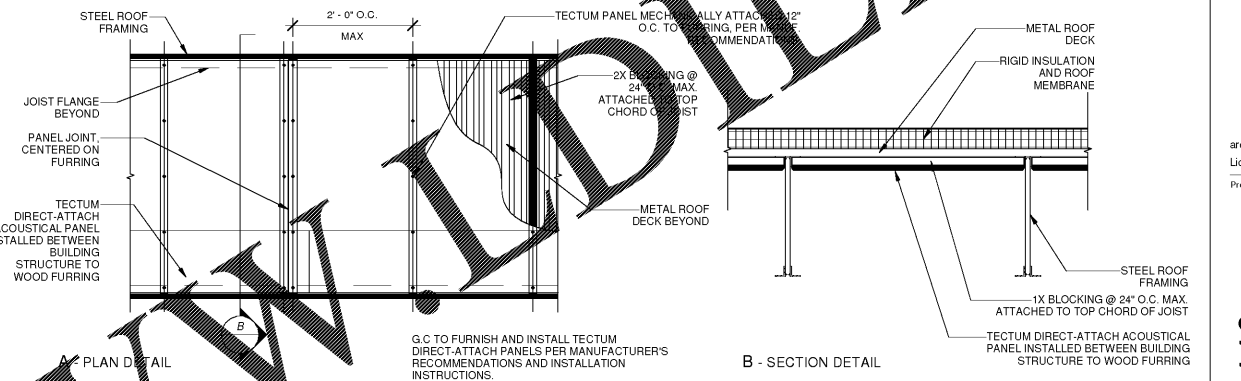
9 WOOD SLAT CEILING PANEL DETAIL
3/4" = 1'-0"



5 SECTION @ SOFFIT
1" = 1'-0"



1 BULKHEAD DETAIL
1" = 1'-0"



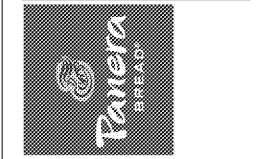
A-2 PLAN DETAIL
B- SECTION DETAIL
TECTUM CEILING PANEL DETAILS
1" = 1'-0"

Bakery-Cafe:
#6119
SYSTEM: G4 (A135)
Project Title:
whocobuild.com
p.o. box 14,2116
coral gables, florida
33114,2116
v. 305.445.3100
f. 305.259.3986
license number: AA2602436

Professional Seal:

architect of record: William F. Arthur
License Number: AR0012074
Project Title:

CONSTRUCTION DRAWINGS
Bakery Cafe #6119
6351 MANATEE AVE W,
BRADENTON, FL 34209



These plans and specifications are the exclusive property of WFA Design. Any reproduction, modification, distribution, and/or use of these materials (or any portion thereof) without WFA Design's prior written consent is strictly prohibited.

No.	Description	Date

CEILING DETAILS
Project Number: #6119
Sheet Number: **A135**
Drawn By: MMH/NH
Issue Date: 09.30.18
DPM: DM: CPM:
J.R. D.C. R.K.

Order Plans @ WWW.WHOCOBUILD.COM