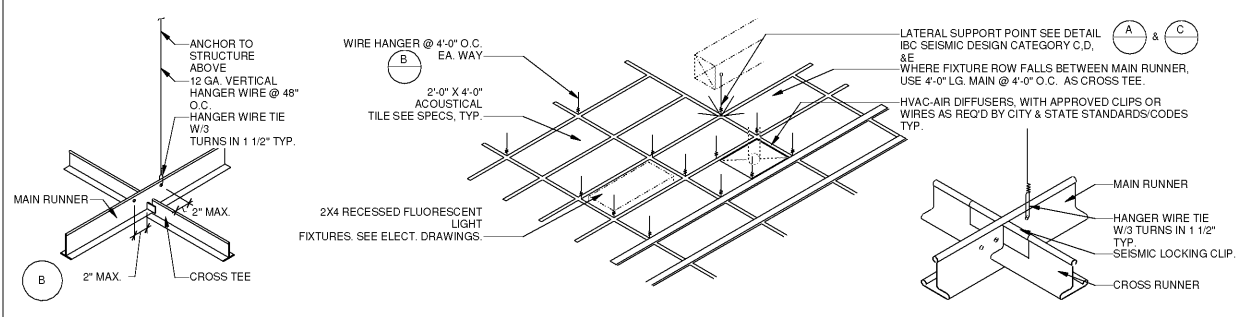
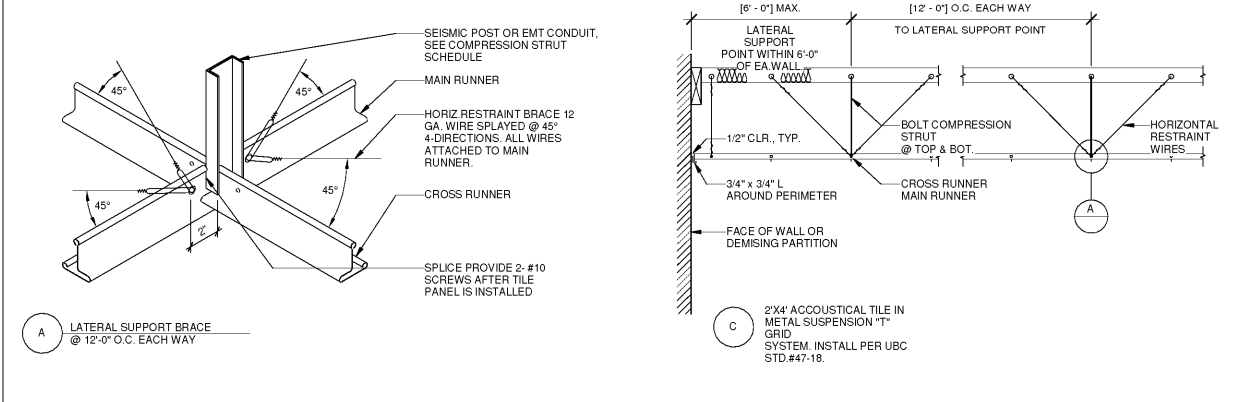


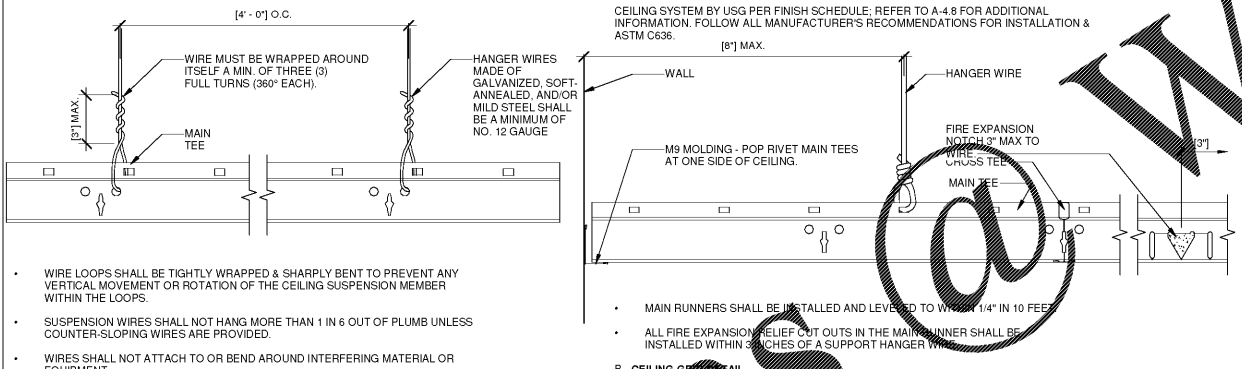
11/11/2018 8:55:03 AM



- CEILING NOTES:**
1. ALL HANGER WIRE SHALL BE #12 GALV. WIRE OR CODE-APPROVED EQUAL.
 2. ALL HANGERS AND RUNNERS SHALL BE ACCURATELY LEVELED AND BE SPACED AT 48" O.C. IN ACCORDANCE WITH MANUF. SPECS.
 3. ALL INTERSECTIONS AND CONNECTION ACCESSORIES THROUGHOUT SHALL BE CAPABLE OF WITHSTANDING DESIGN LOADS REQUIRED PER CODE.
 4. AT LIGHT FIXTURES PROVIDE #12 GALV. WIRE AT DIAGONAL OPPOSED. PROVIDE SEPARATE WIRES ATTACHED TO EACH LIGHT FIXTURE.
 5. SEE ELECTRICAL DRAWINGS AND REFLECTED CEILING PLANS FOR LOCATIONS AND DIRECTIONS OF LIGHT FIXTURES.
- LATERAL SUPPORT POST SCHEDULE:**
1. UP TO 6'-2" USE 1'-5/8" 25 GA. MTL. STUD.
 2. UP TO 10'-6" USE 1'-2 1/2" 25 GA. MTL. STUDS FASTENED BACK TO BACK @ EACH SIDE OF MAIN RUNNER TYP.
 3. ALTERNATE: UP TO 10'-0" USE 1" DIA. EMT CONDUIT.

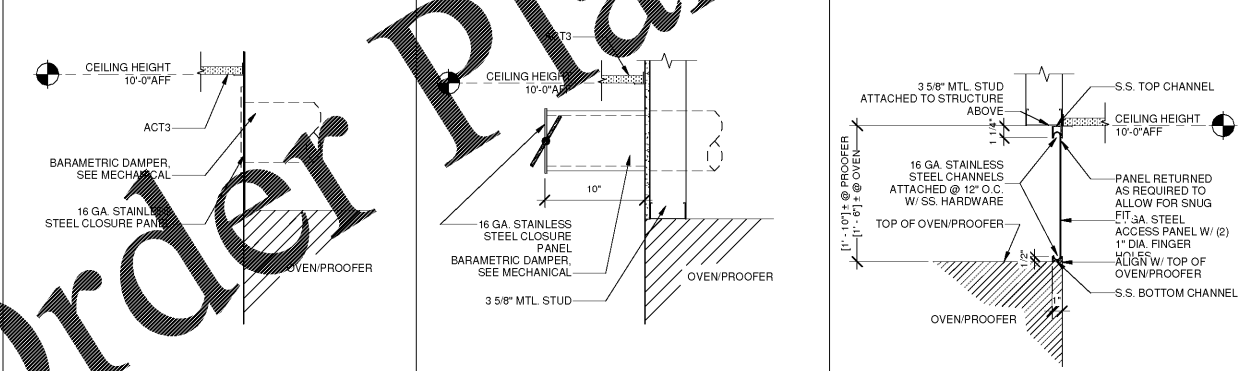


22 | SUSPENDED CEILING DETAILS
1/4" = 1'-0"



A - WIRE TIE AND TIE SPACING DETAIL

23 | SUSPENDED CEILING ATTACHMENT DETAILS
6" = 1'-0"



2 | PROOFER SIDE WALL DETAIL
1 1/2" = 1'-0"

20 | OVEN SIDE WALL DETAIL
1 1/2" = 1'-0"

16 | OVER/PROOFER HEAD DETAIL
1 1/2" = 1'-0"

CODE	QTY.	DESCRIPTION	MANUFACTURER	MODEL #	VOLTAGE	LAMP TYPE	FIXTURE LOCATION	MOUNTING TYPE	NOTES
E1	3	EXIT SIGN	ALITE	XNLRU W/BATTERY BACK-UP	120	LED		SURFACE	UNIVERSAL MOUNTING
E2	4	ADJUSTABLE RECESSED OR SURFACE MOUNT LED EDGE-LIT EXIT SIGN W/ BATTERY BACK-UP	CONTECH LIGHTING	REXA		LED			BATTERY BACKUP- 90 MINUTE
EM	5	EMERGENCY LIGHT (USE ONLY WHEN CODE REQUIRED)	EMERGLITE	DLM2	120	(2) LED	BACK OF HOUSE	WALL MOUNT	2-HEAD EMERGENCY BATTERY UNIT
EM EUE	3	EMERGENCY LIGHTING FIXTURE	MULE LIGHTING	EUE-BB-10-W-T	120	10W LED	DINING	SURFACE	UNIT INCLUDES REMOTE POWER SUPPLY
EXT14	21	EXTERIOR WALL SCONCE	KICHLER	419060Z	120	R14FL	OUTDOOR GATHERING AREA	WALL MOUNTED	OLD BRONZE FINISH; WET LISTED
EXT14A	5	EXTERIOR POST LAMP	KICHLER	490630Z	120	40 WATT	OUTDOOR GATHERING AREA	POST MOUNTED	OLD BRONZE FINISH; WET LISTED; NEED 95060Z 3" POST AND 95300Z PIER MOUNT BASE
EXT15	6	SCOOP LED WALL MOUNT	WAC LIGHTING	WS-W20506-XX	120	LED	EXTERIOR	WALL MOUNT	"XX" REFERS TO COLOR OF FIXTURE: AL-ALUM. BK-BLACK, BZ-BRONZE, GR-GRAPHITE, WH-WHITE. FIXTURE CAN BE MOUNTED AS DOWN OR UP LIGHT
EXT18	2	BRONZE, FULLY SHIELDED LED WALL PACK; UP/DOWN WALL MOUNT	RAB LIGHTING	SLIM26Y/PC	120	LED	EXTERIOR WALL PACK	WALL MOUNT	
FR9	6	6" x 48" ENCLOSED, GASKETED, LOW TEMP FIXTURE; 1 LAMP-SHATTER PROOF POLYCARBONATE DIFFUSER; GLOSS WHITE SHEET METAL DEFLECTOR	KASON	1810ES	120	SYLFP54830H/OECO	COOLER/FREEZER CEILING	SURFACE	FLUORESCENT LOW VOLTAGE BALLAST; COOLER AND FREEZER; BALLAST @ FREEZER; FIXTURE PROVIDED BY VENDOR; BALLAST SUPPLIED BY LIGHTING VENDOR
GP18	5	GENERAL PENDANT	CONTECH LIGHTING	RLM71DMA0ML11-36027K	120		DINING ROOM	CEILING	OPAL WHITE METAL SHADE WITH WOOD MOUNT AND METAL SHAIN; BROWN CANOPY; BROWN FABRIC WRAPPED CORD
GP24	3	GENERAL PENDANT	CONTECH LIGHTING	RLM71DRC	120		DINING ROOM	CEILING	WHITE SHADE; ANTIQUE BRONZE CANOPY; BLACK CORD WRAPPED IN NATURAL JUTE
GP26	8	DECORATIVE PENDANT	KICHLER	DANIKA 1 LIGHT MINI: 436821	120		DINING ROOM	CEILING	WHITE FINISH; SEE ELEVATIONS FOR MOUNTING HEIGHT
GP27	6	GENERAL PENDANT, BELL LAMP	RAB LIGHTING	EZ2ANZ-30Y/N/D10	120		DINING ROOM	CEILING	
LEDPL1	19	LED 2X4 TROFFER	RAB LIGHTING	EZ2ANZ-30Y/N/D10	120	LED	BACK OF HOUSE	RECESSED	0-10V DIMMABLE DRIVER, WHITE FINISH; FROSTED POLYSTYRENE LENS
LEDPL2	2	LED 2X2 TROFFER	RAB LIGHTING	EZ2ANZ-30Y/N/D10	120	LED	BACK OF HOUSE	RECESSED	0-10V DIMMABLE DRIVER, WHITE FINISH; FROSTED POLYSTYRENE LENS
LEDR02	2	LED RECESSED DOWNLIGHT	CONTECH LIGHTING	NOT PROVIDED	120		NOT PROVIDED	RECESSED	NOT PROVIDED
LEDRD4	5	4 INCH LED RECESSED WALL WASH DOWNLIGHT	SOLAIS	XR4NC/W/WM240-27K/1550/WH/WH/SL	120		MENUS ABOVE POS	RECESSED	LENSED WALL WASH, DRY LOCATION RATING; WHITE CONE AND FLANGE; LINEAR SPREAD
LEDRD5	12	4 INCH LED RECESSED DOWNLIGHT	SOLAIS	XR4NC/D/M24/4L/27K/1550/WH/WH/SL	120		BAKERY	RECESSED	DRY LOCATION RATING; WHITE CONE AND FLANGE; LINEAR SPREAD
LEDRD6	9	4" LED RECESSED DOWNLIGHT	CONTECH LIGHTING	R4NC327-112D; TRIM: C4327-5111	120	LED	FRONT OF HOUSE	RECESSED	CLEAR UPPER REFLECTOR; BLACK LOWER BAFFLE; RECESSED PRISMATIC CONVEX GLASS LENS; WET LISTED
LEDRD7	6	4 INCH LED RECESSED WALL WASHER	CONTECH LIGHTING	R4NC-C4323-CLR-B	120		FRONT OF HOUSE	RECESSED	DAMP LOCATION RATING; WHITE SPECULAR REFLECTOR AND TRIM
LEDRD9	8	4" LED RECESSED DOWNLIGHT	CONTECH LIGHTING	R6NC327K12D; TRIM: C6322M-CLR-WFF	120	LED 14W	FRONT OF HOUSE	RECESSED	SPECULAR CLEAR MEDIUM BEAM SPREAD REFLECTOR; WHITE PAINTED FLANGE
LEDT1	5	LED TRACK FIXTURE	SOLAIS	XD20-40-15-30K-1050-LOL-WH	120	LED	MENUS	TRACK	LIGHT TOLER TRACK ADAPTER, WHITE HOUSING; 40 DEGREE BEAM ANGLE; 3000K
LEDT10	11	LED TRACK FIXTURE	SOLAIS	XD20-25-15-30K-1000-LOL-WH	120	LED	BAKERY BREAD WALL, HOT & COLD BEV	TRACK	LIGHT TOLER TRACK ADAPTER, WHITE HOUSING; 25 DEGREE BEAM ANGLE; 3000K
LEDT11	13	LED TRACK FIXTURE	SOLAIS	XD20-25-15-30K-1000-LOL-WH	120	LED	BAKERY BREAD WALL, HOT & COLD BEV	TRACK	LIGHT TOLER TRACK ADAPTER, WHITE HOUSING; 25 DEGREE BEAM ANGLE; 3000K
LEDT6	5	LED TRACK FIXTURE	LIGHTOLIER	B201WH	120	LED	NOT PROVIDED	TRACK	NOT PROVIDED
T1-2	5	SUSPENDED TRACK	LIGHTOLIER	9106WH	120	N/A	TRACK W/ (IE ROD(S)	TRACK	2 SINGLE CIRCUIT RADIUS TRACK- WHITE
T1-6	5	SUSPENDED TRACK	LIGHTOLIER	9106WH	120	N/A	TRACK W/ (IE ROD(S)	TRACK	6 SINGLE CIRCUIT RADIUS TRACK- WHITE
T1-8	5	SUSPENDED TRACK	LIGHTOLIER	9106WH	120	N/A	TRACK W/ (IE ROD(S)	TRACK	8 SINGLE CIRCUIT RADIUS TRACK- WHITE
WS5	2	DAVIS DOUBLE SCONCE 2.25'	SCHOOLHOUSE ELEC & SUPPLY CO.		120		SCHOOLHOUSE	WALL	PHILLIPS ENDURA LED 11W W/ E26 BASE

TYPICAL STEEL STUD CEILING JOIST SCHEDULE

NOTES:

1. CEILING JOIST AT 24" O.C. MAXIMUM.
2. CONTINUOUS BRIDGING TOP AND BOTTOM OF JOIST WITH 1" #10 S.M. SCREW PER JOIST SHALL BE PROVIDED AT INTERVALS NOT TO EXCEED S' (SPACING). BRIDGING MAY BE OMITTED ON SIDES WITH CONTINUOUS SHEATHING.
3. IF JOIST SPANS ARE ENCOUNTERED IN EXCESS OF THOSE TABULATED BELOW, NOTIFY THE STRUCTURAL ENGINEER.
4. JOISTS DESIGNED FOR 5 PSF DEAD LOAD AND 10 PSF LIVE LOAD. IF LOADS ENCOUNTERED ARE GREATER, NOTIFY THE STRUCTURAL ENGINEER.
5. S.M. (SHEET METAL) SCREWS PER G.S.N.
6. FOR ADDITIONAL INFORMATION, SEE TYPICAL STEEL STUD DETAILS, G.S.N. AND ARCHITECTURAL DRAWINGS.

JOIST SIZE	MAXIMUM SPAN	MAXIMUM TRACK SPACING	MAXIMUM MASONRY WALL	STEEL TRACK STUD WALL
362S137-33	8'-0"	4'-0"	350T125-43 W/ 3/4" OC ANCHOR BOLTS @ 32"	350T125-43 W/ 2-#10 S.M. SCREWS PER STUD
600S137-33	10'-0"	5'-0"	600T125-43 W/ 3/4" OC ANCHOR BOLTS @ 32"	600T125-43 W/ 2-#10 S.M. SCREWS PER STUD
800S137-33	16'-0"	6'-0"	800T125-43 W/ 3/4" OC ANCHOR BOLTS @ 32"	800T125-54 W/ 3-#10 S.M. SCREWS PER STUD

2 | PROOFER SIDE WALL DETAIL
1 1/2" = 1'-0"

20 | OVEN SIDE WALL DETAIL
1 1/2" = 1'-0"

16 | OVER/PROOFER HEAD DETAIL
1 1/2" = 1'-0"

12 | BRACING DETAIL
1" = 1'-0"

8 | DOUGH COOLER HEAD DETAIL
1 1/2" = 1'-0"

3 | COOLER/FREEZER HEAD DETAIL
1 1/2" = 1'-0"

Bakery-Cafe:

#6119

SYSTEM: G4 (A1)

Project Title:

Professional Seal:

architect of record: William F. Arthur
License Number: AR0012074

Project Title:

CONSTRUCTION DRAWINGS

Bakery Cafe #6119
6351 MANATEE AVE W,
BRADENTON, FL 34209

Parera
ARCHITECTS

These plans and specifications are the exclusive property of WFA Design. Any reproduction, modification, distribution, and/or use of these materials (or any portion thereof) without WFA Design's prior written consent is strictly prohibited.

No. Description Date

LIGHTING SCHEDULE, DETAILS, & SECTIONS

Project Number: #6119
Sheet Number: A131

Drawn By: MMH/NH
Issue Date: 09.30.18

DFM: DM: CPM:
J.R. D.C. R.K.