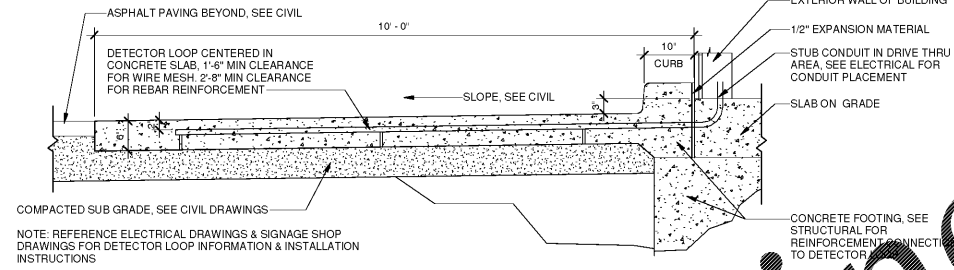


21 SECTION @ DETECTOR LOOP AT CONCRETE PAD AT MENU BOARD
3/4" = 1'-0"

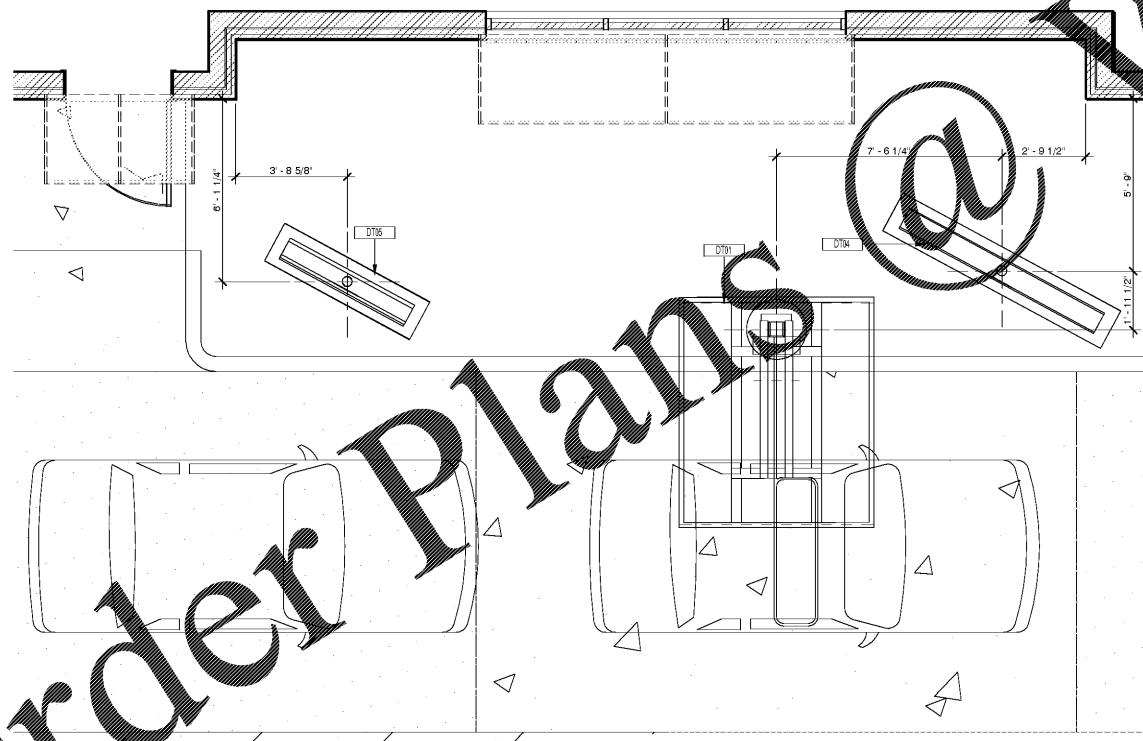


9 SECTION @ DETECTOR LOOP AT CONCRETE PAD AT DRIVE THRU WINDOW
3/4" = 1'-0"

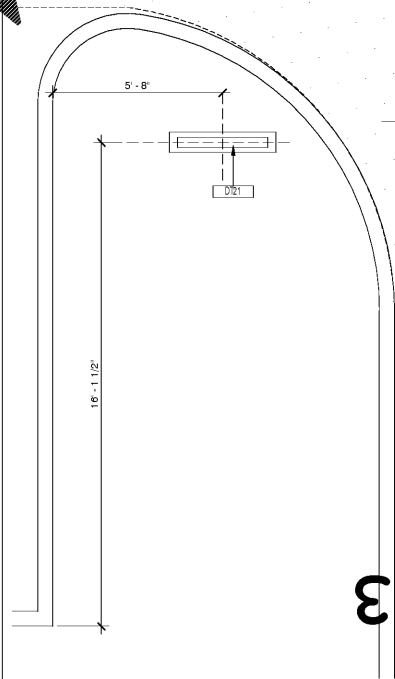
GENERAL NOTES:

- A. ALL SIGNS WILL BE PROVIDED BY OWNER TO G. C. FOR INSTALLATION.
- B. VENDOR TO VERIFY ALL QUANTITIES AND CURRENT GRAPHIC DESIGNS WITH OWNER PRIOR TO FABRICATING.
- C. REFERENCE SHEET A410 FOR SIGNAGE LOCATIONS/ELEVATIONS.

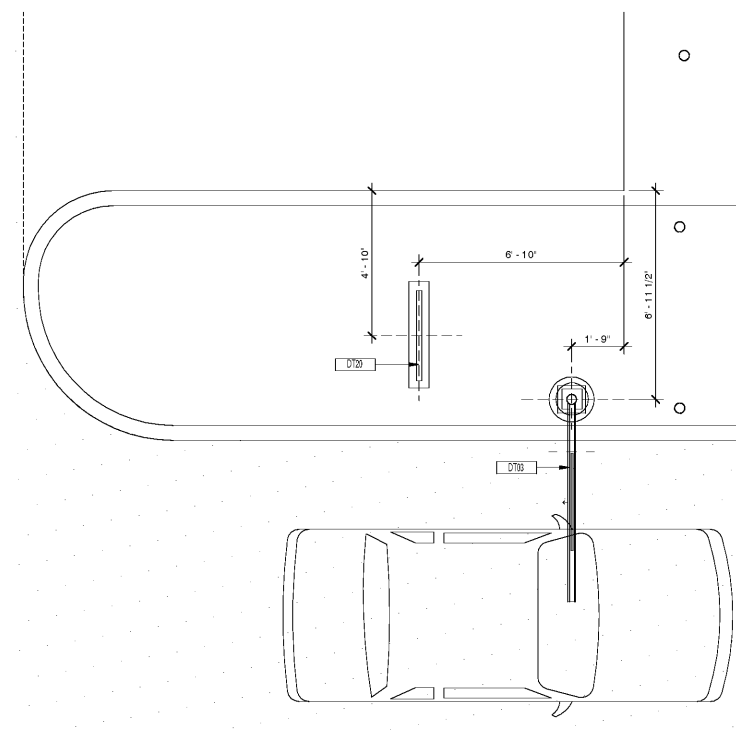
CODE	QTY	DESCRIPTION	SIZE	MOUNTING INSTRUCTIONS	DETAIL/REF.
DT01	1	MENU SIGN	6'-0" x 7'-8"	REFER TO SHOP DRAWINGS	16/A023
DT03	1	HEIGHT CLEARANCE BAR		REFER TO SHOP DRAWINGS	20/A023
DT04	1	MENU SIGN	7'-4.375' W x 9.25' D x 57' H	REFER TO SHOP DRAWINGS	12/A023
DT05	1	PREVIEW MENU SIGN	56.5' W x 8.75' D x 36' H	REFER TO SHOP DRAWINGS	10/A023
DT07	1	DIRECTIONAL SIGN DRIVE THRU	3-6 1/2' W X 8' D	REFER TO SHOP DRAWINGS	24/A023
DT08	1	DIRECTIONAL SIGN DOUBLE FACED 'DO NOT ENTER' & 'THANK YOU'	3-6 1/2' W X 8' D	REFER TO SHOP DRAWINGS	24/A023
PS01	1	ACCESSIBLE SPACE SIGN	N/A	N/A	8/A002
PS02	1	RPU PARKING SIGN	N/A	N/A	8/A002



2 ENLARGED DRIVE THRU PLAN
3/8" = 1'-0"



12 ENLARGED DRIVE THRU SIGNAGE
3/8" = 1'-0"



8 ENLARGED DRIVE THRU SIGNAGE
3/8" = 1'-0"

Bakery-Cafe:

#6119

SYSTEM: G4 (A&B)

Project Title:

Professional Seal:

architect of record: William F. Arthur

License Number: AR0012074

Project Title:

CONSTRUCTION DRAWINGS

Bakery Cafe #6119

6351 MANATEE AVE W,

BRADENTON, FL 34209

These plans and specifications are the exclusive property of WFA Design. Any reproduction, modification, distribution, and/or use of these materials (or any portion thereof) without WFA Design's prior written consent is strictly prohibited.

No. Description Date

Project Number: #6119

Sheet Number: A021

Drawn By: MMH/NH

Issue Date: 09.30.18

DFM: DM: CPM:

J.R. D.C. R.K.

DATE: 09.30.18

SCALE: 3/8" = 1'-0"

PROJECT: Bakery Cafe #6119

SHEET: A021

DATE: 09.30.18

SCALE: 3/8" = 1'-0"

PROJECT: Bakery Cafe #6119

SHEET: A021

DATE: 09.30.18

SCALE: 3/8" = 1'-0"

PROJECT: Bakery Cafe #6119

SHEET: A021

DATE: 09.30.18

SCALE: 3/8" = 1'-0"

PROJECT: Bakery Cafe #6119

SHEET: A021

DATE: 09.30.18

SCALE: 3/8" = 1'-0"

PROJECT: Bakery Cafe #6119

SHEET: A021

DATE: 09.30.18

SCALE: 3/8" = 1'-0"

PROJECT: Bakery Cafe #6119

SHEET: A021

DATE: 09.30.18

SCALE: 3/8" = 1'-0"

PROJECT: Bakery Cafe #6119

SHEET: A021

DATE: 09.30.18

SCALE: 3/8" = 1'-0"

PROJECT: Bakery Cafe #6119

SHEET: A021

DATE: 09.30.18

SCALE: 3/8" = 1'-0"

PROJECT: Bakery Cafe #6119

SHEET: A021

DATE: 09.30.18

SCALE: 3/8" = 1'-0"

PROJECT: Bakery Cafe #6119

SHEET: A021

DATE: 09.30.18

SCALE: 3/8" = 1'-0"

PROJECT: Bakery Cafe #6119

SHEET: A021

DATE: 09.30.18

SCALE: 3/8" = 1'-0"

PROJECT: Bakery Cafe #6119

SHEET: A021

DATE: 09.30.18

SCALE: 3/8" = 1'-0"

PROJECT: Bakery Cafe #6119

SHEET: A021

DATE: 09.30.18

SCALE: 3/8" = 1'-0"

PROJECT: Bakery Cafe #6119

SHEET: A021