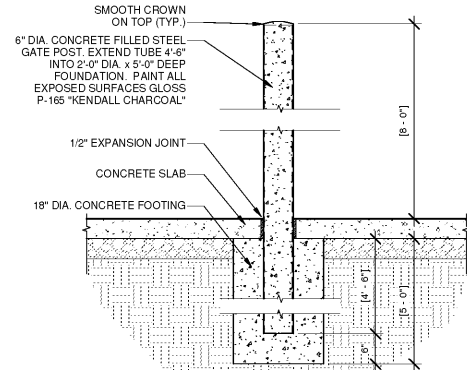
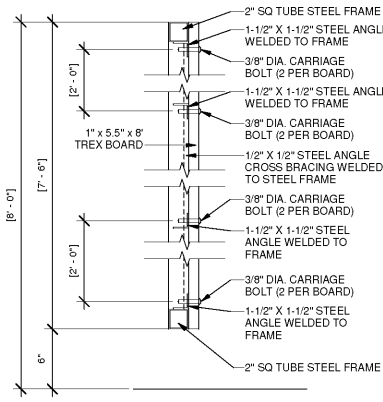


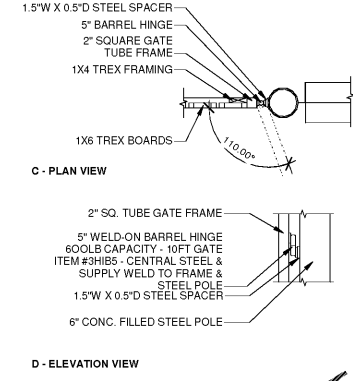
21 GATE POST DETAIL
3/4" = 1'-0"



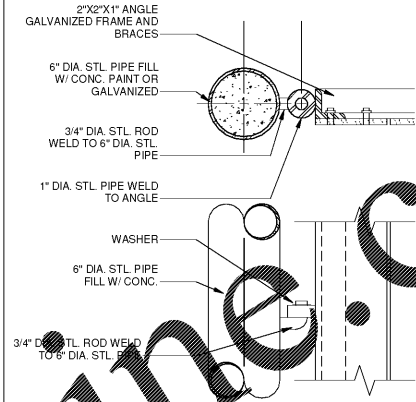
17 DUMPSTER BOLLARD DETAIL
3/4" = 1'-0"



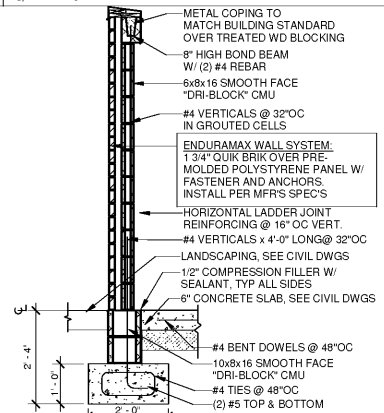
9 DETAIL @ TRASH GATE FRAMING
1 1/2" = 1'-0"



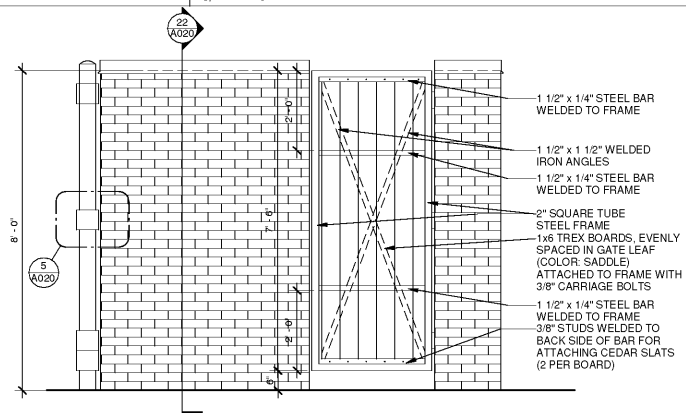
5 TRASH ENCLOSURE GATE HINGE
3/4" = 1'-0"



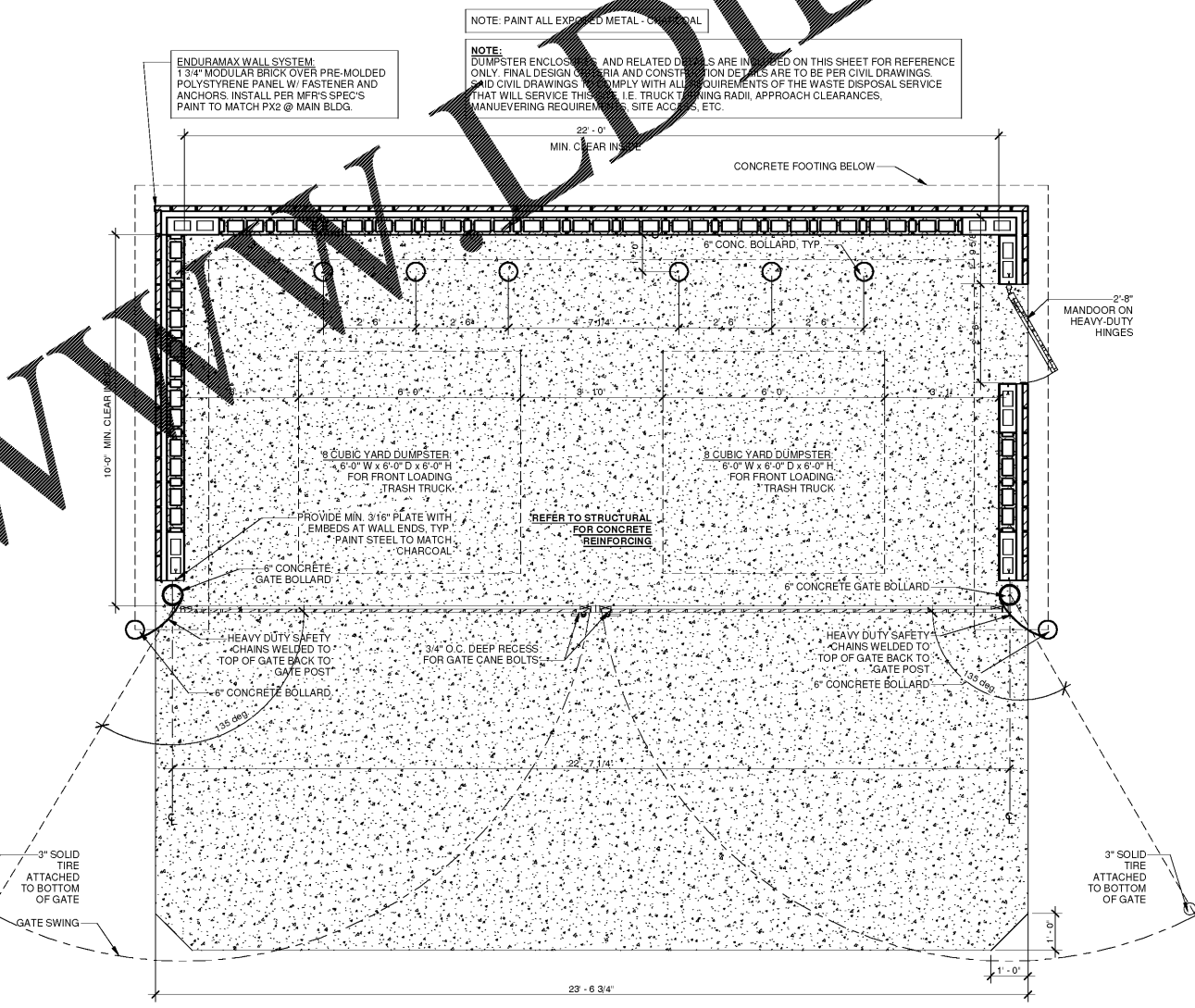
1 TRASH ENCLOSURE DETAIL
1 1/2" = 1'-0"



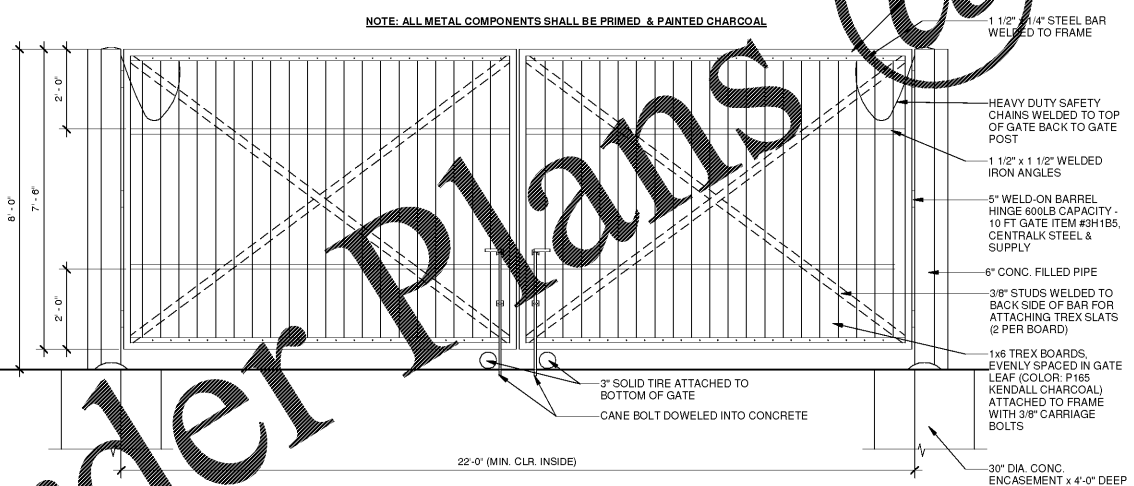
22 TRASH & RECYCLE ENCLOSURE
1/2" = 1'-0"



18 TRASH & RECYCLING ENCLOSURE SIDE
1/2" = 1'-0"



2 PLAN @ TRASH & RECYCLE ENCLOSURE FOR FRONT LOADING TRUCK
1/2" = 1'-0"



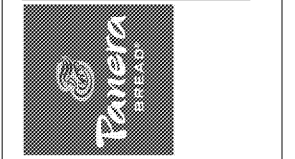
2 TRASH & RECYCLE ENCLOSURE ELEVATION FOR FRONT LOADING TRUCK
1/2" = 1'-0"

Bakery-Cafe:
#6119
Project Title:
SYSTEM: G4 (A020)
Professional Seal:
Project Number:
Sheet Number:
A020

wha.com
p.o. box 14,2116
coral gables, florida
33114, 2116
v. 305.443.3100
f. 305.259.3986
license number: AA26002436

architect of record: William F. Arthur
License Number: AR0012074
Project Title:

CONSTRUCTION DRAWINGS
Bakery Cafe #6119
6351 MANATEE AVE W,
BRADENTON, FL 34209



These plans and specifications are the exclusive property of WFA Design. Any reproduction, modification, distribution, and/or use of these materials (or any portion thereof) without WFA Design's prior written consent is strictly prohibited.

No.	Description	Date

TRASH ENCLOSURE DETAILS
Project Number: #6119
Sheet Number: A020
Drawn By: MMH/NH
Issue Date: 09.30.18
DPM: DM: CPM:
J.R. D.C. R.K.

Order Plans @ WWW@WFAWORLDLINE.COM

11/1/2018 2:27:10 PM

11/1/2018