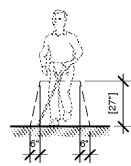
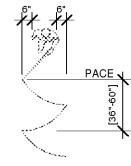


WALKING SURFACE WITH A RUNNING SLOPE NOT STEEPER THAN 1/20.

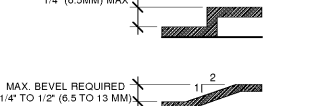


CANE TECHNIQUE

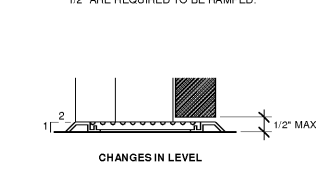


CANE TECHNIQUE

VERTICAL LEVEL CHANGES
1/4" (6.3MM) MAX



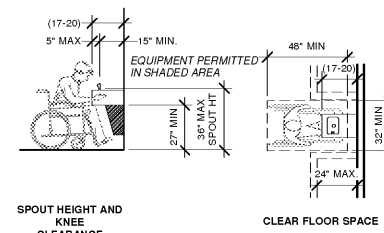
MAX. BEVEL REQUIRED
1/4" TO 1/2" (6.5 TO 13 MM)



CHANGES IN LEVEL
1/2" MAX

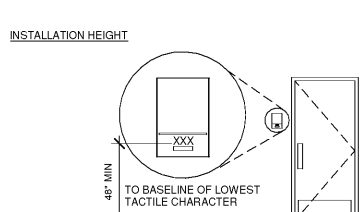
CHANGES IN LEVEL

NOTES:
• BOTH HIGH AND LOW FOUNTAINS ARE REQUIRED, NO FEWER THAN 50% WHEELCHAIR ACCESSIBLE. OTHERS ARE TO BE LOCATED AT A STANDARD HEIGHT CONVENIENT TO THOSE WITH DIFFICULTY STOOPING. HIGH/LOW FOUNTAINS ARE REQ. WHEN ONLY ONE FOUNTAIN IS APPROVED.
• STANDING HEIGHT FOUNTAIN SPOUT OUTLET TO BE MINIMUM 38" A.F.F. AND 48" MAXIMUM A.F.F.

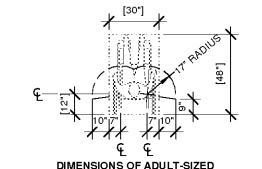


SPOUT HEIGHT AND CLEAR FLOOR SPACE

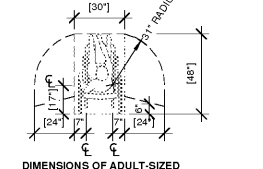
LOCATION
LOCATE SIGN ON THE LATCH SIDE
CENTERED ON TACTILE CHARACTERS



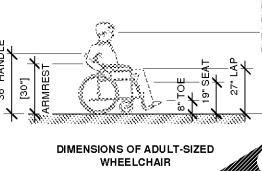
INSTALLATION HEIGHT



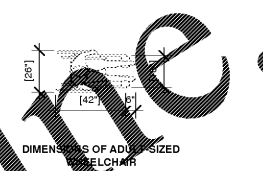
DIMENSIONS OF ADULT-SIZED WHEELCHAIR



DIMENSIONS OF ADULT-SIZED WHEELCHAIR



DIMENSIONS OF ADULT-SIZED WHEELCHAIR



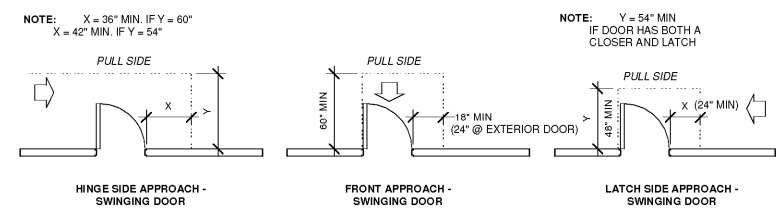
DIMENSIONS OF ADULT-SIZED WHEELCHAIR

21 SECTION 402 ACCESSIBLE ROUTE SCALE: NTS

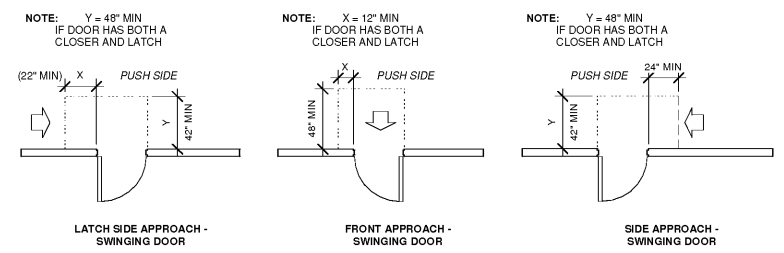
17 SECTION 303 CHANGES IN LEVEL SCALE: NTS

13 SECTION 602 DRINKING FOUNTAINS SCALE: NTS

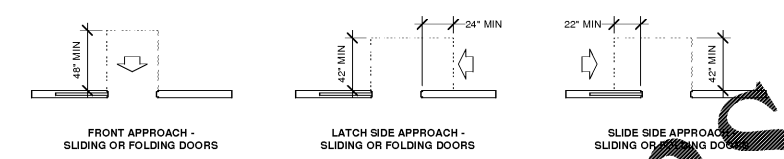
9 SECTION 703 TACTILE SIGNS SCALE: NTS



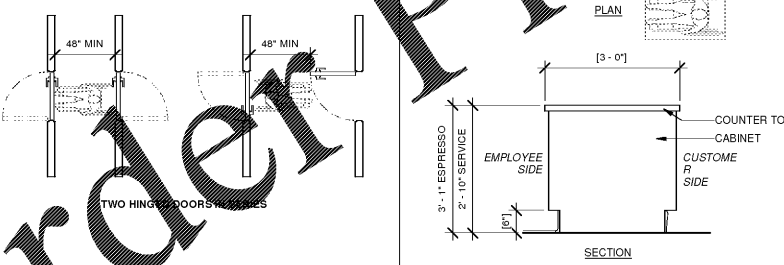
HINGE SIDE APPROACH - SWINGING DOOR, FRONT APPROACH - SWINGING DOOR, LATCH SIDE APPROACH - SWINGING DOOR



LATCH SIDE APPROACH - SWINGING DOOR, FRONT APPROACH - SWINGING DOOR, SIDE APPROACH - SWINGING DOOR



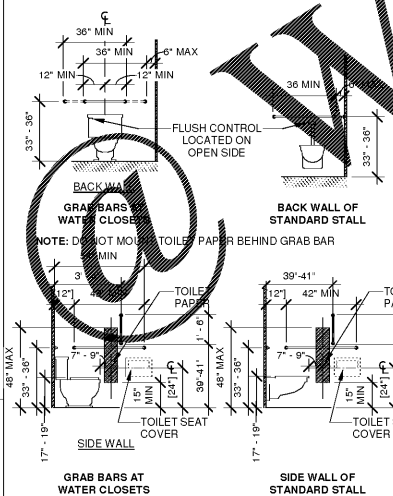
FRONT APPROACH - SLIDING OR FOLDING DOORS, LATCH SIDE APPROACH - SLIDING OR FOLDING DOORS, SLIDE SIDE APPROACH - SLIDING OR FOLDING DOORS



SECTION 404 DOORS SCALE: NTS, SECTION 904 CHECK OUT/ SALES/ SERVICE SCALE: NTS

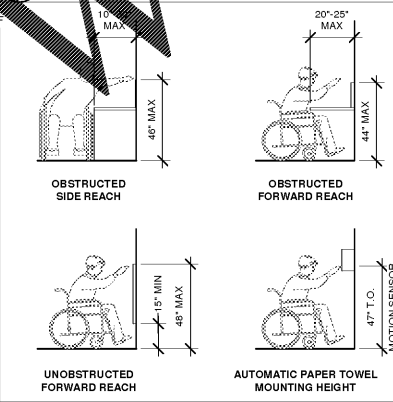
14 SECTION 605 URINALS SCALE: NTS

NOTE: GRAB BAR MIN & MAX DIMENSIONS MEASURED TO THE TOP OF THE GRIPPING SURFACE, NOT THE CENTERLINE OF THE BAR.



GRAB BARS AT WATER CLOSETS

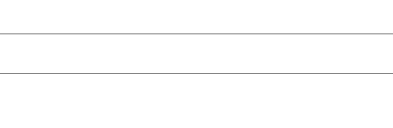
10 SECTION 606 MIRROR & LAVATORIES SCALE: NTS



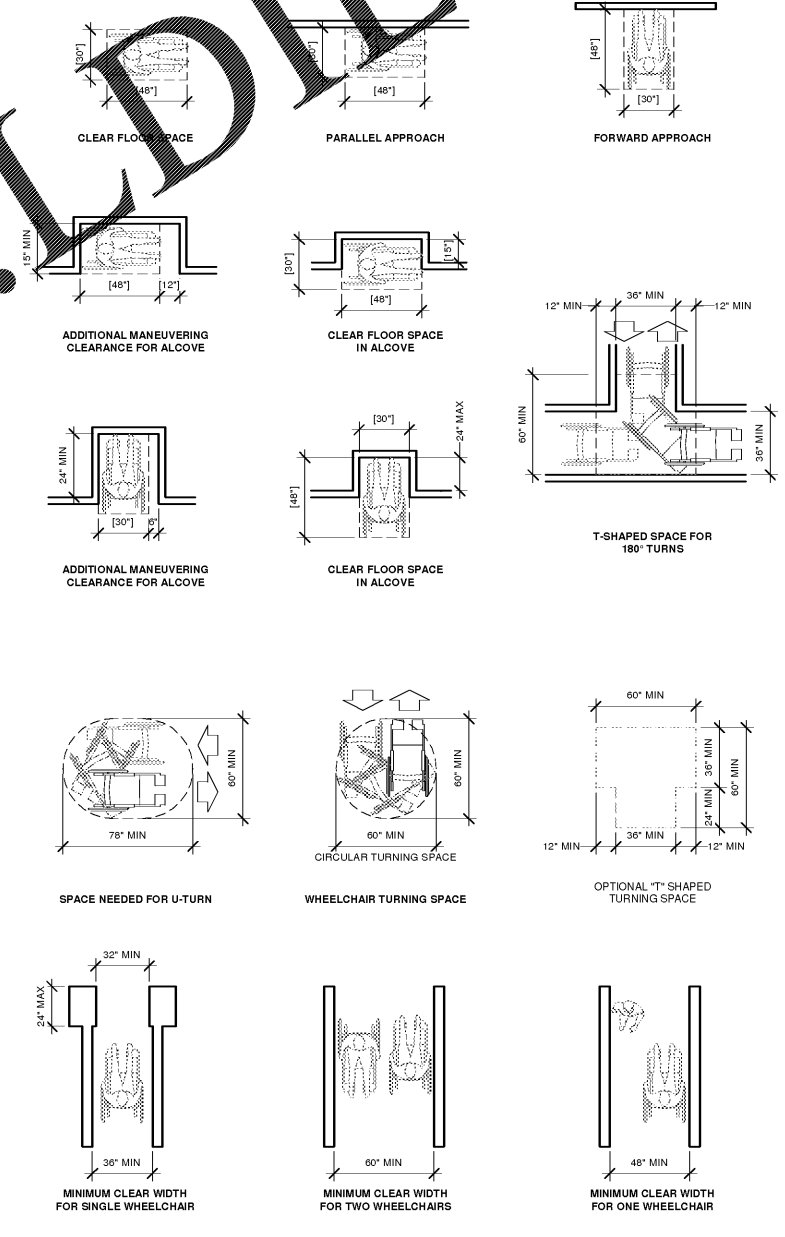
SECTION 308 REACH RANGE SCALE: NTS

16 SECTION 604 WATER CLOSETS AND TOILET COMPARTMENTS SCALE: NTS

NOTE: TOE CLEARANCE @ FRONT PARTITION NOT REQUIRED AT STALLS DEEPER THAN 62" WITH WALL HUNG TOILET OR 65" WITH FLOOR MTD. TOILET.
TOE CLEARANCE AT SIDE PARTITION NOT REQUIRED @ STALLS DEEPER THAN 66".



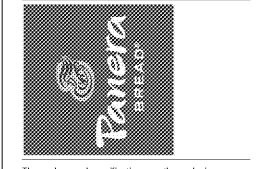
SECTION 304 & 305 CLEAR FLOOR & GROUND SPACE REQUIREMENTS SCALE: NTS



SECTION 304 & 305 CLEAR FLOOR & GROUND SPACE REQUIREMENTS SCALE: NTS

Bakery-Cafe:
#6119
SYSTEM: G4 (A-F)
Project Number:
Professional Seal:
architect of record: William F. Arthur
License Number: AR0012074
Project Title:

CONSTRUCTION DRAWINGS
Bakery Cafe #6119
6351 MANATEE AVE W,
BRADENTON, FL 34209



These plans and specifications are the exclusive property of WFA Design. Any reproduction, modification, distribution, and/or use of these materials (or any portion thereof) without WFA Design's prior written consent is strictly prohibited.

No.	Description	Date

ACCESSIBILITY GUIDELINES
Project Number: #6119
Sheet Number: G121
Drawn By: MMH/NH
Issue Date: 09.30.18
DPM: DM: CPM:
J.R. D.C. R.K.

Order Plans

W.A. D. Line.com