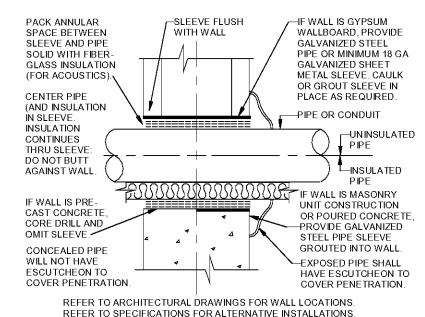
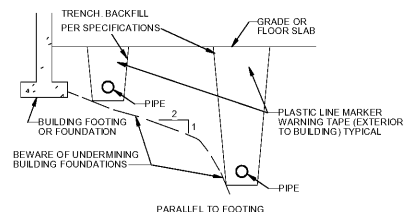


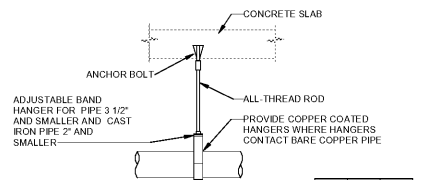
1 NON-FREEZE WALL HYDRANT  
NOT TO SCALE



2 PENETRATION OF NON-FIREWALL  
NOT TO SCALE

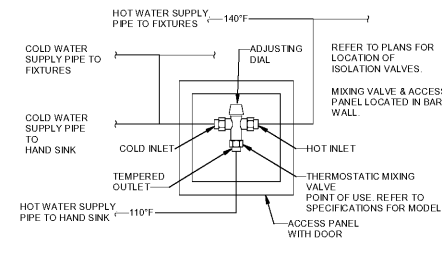


3 PIPE AND TRENCH LOCATION  
NOT TO SCALE

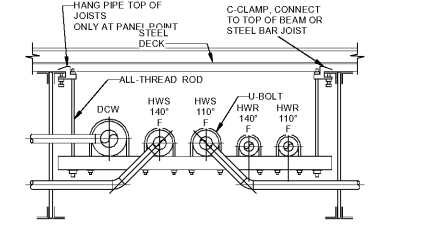


4 PIPE HANGER - ANCHOR  
NOT TO SCALE

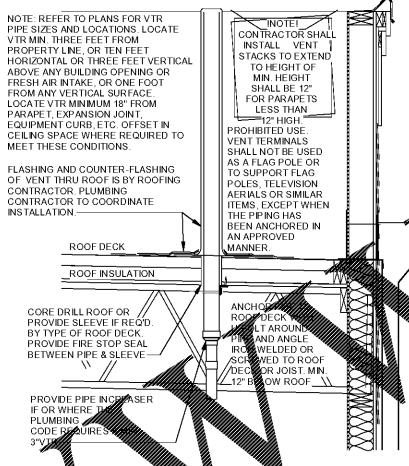
PIPE SIZE	PIPE HANGER SPACING	PIPE HANGER SPACING
1/2"	5'-0"	7'-0"
3/4"	5'-0"	7'-0"
1"	6'-0"	7'-0"
1 1/4"	7'-0"	8'-0"
1 1/2"	8'-0"	9'-0"
2"	8'-0"	10'-0"
2 1/2"	10'-0"	11'-0"
3"	11'-0"	12'-0"
4"	12'-0"	12'-0"



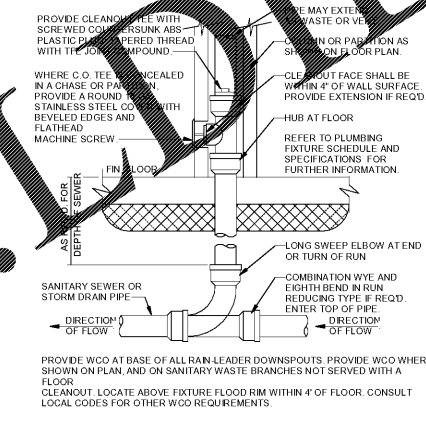
5 THERMOSTATIC MIXING VALVE IN WALL  
NOT TO SCALE



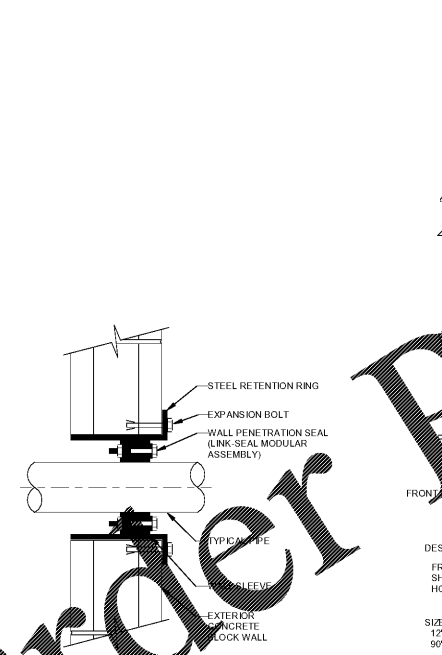
6 TRAPEZE PIPE HANGER  
NOT TO SCALE



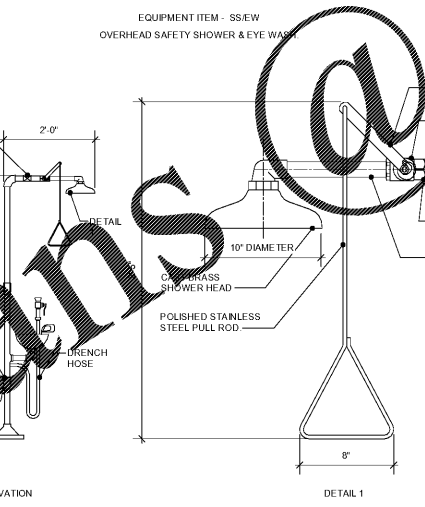
7 VENT THRU ROOF WITH VENT - VTR  
NOT TO SCALE



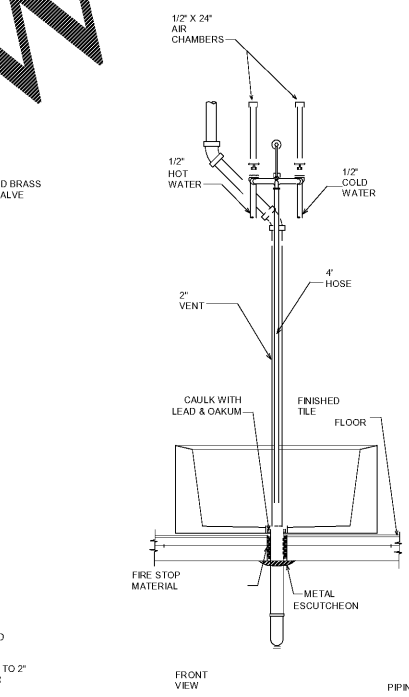
8 WALL CLEANOUT SLAB ON GRADE - WCO  
NOT TO SCALE



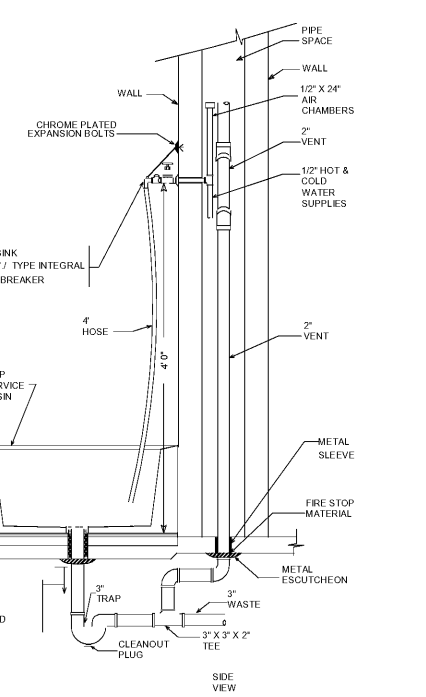
9 WALL PENETRATION  
NOT TO SCALE



10 SAFETY SHOWER & EYE WASH  
NOT TO SCALE



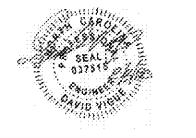
11 JANITOR'S SINK PIPING FOR MOP SERVICE SINK  
NOT TO SCALE



12 MOP SERVICE BASIN PIPING FOR JANITOR CLOSET  
NOT TO SCALE

mcmilian  
pazdan  
smith  
ARCHITECTURE

BEVITA  
ATLANTA CHARLOTTE GREENVILLE  
877.4.DEVITA INC. Project: 17239  
NC Perm License # C-0819  
BHM Checked By: DV



WINDSOR AUGHTRY  
HOME2 ASHEVILLE  
380 AIRPORT RD.  
ARDEEN, NC 28704

SHEET ISSUE  
07/30/18  
FOR CONSTRUCTION

Number	Revisions	Date

PRINCIPAL IN CHARGE  
PROJECT ARCHITECT  
DRAWN BY  
SHEET TITLE  
PLUMBING DETAILS

SHEET NO  
PRJ NO  
01737890

P004