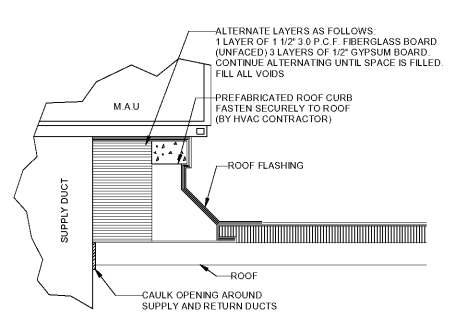
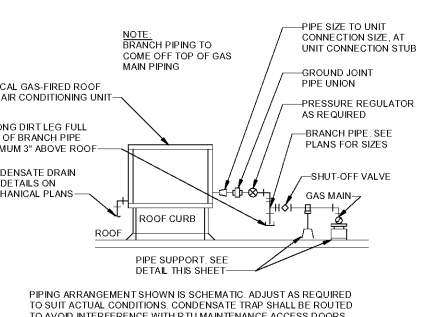


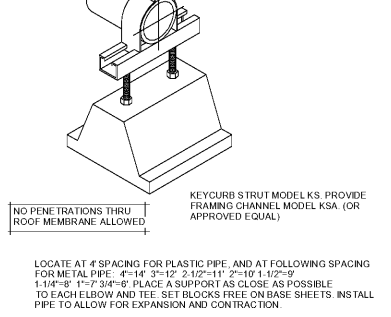
1 MAKE UP AIR UNIT MOUNTING DETAIL  
M003 / NOT TO SCALE



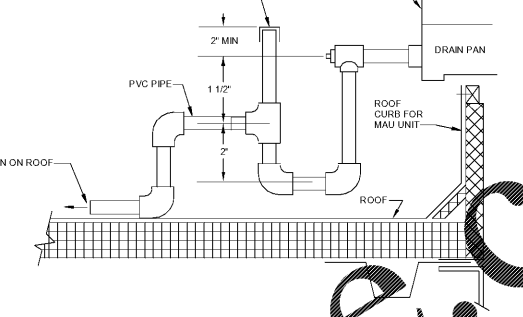
2 MAKE UP AIR UNIT CURB DETAIL  
M003 / NOT TO SCALE



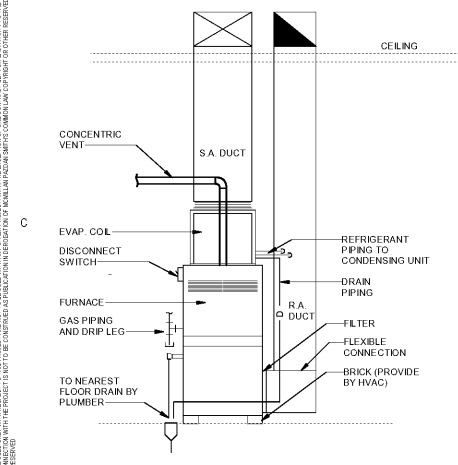
3 GAS CONNECTION TO MAKE UP AIR UNIT  
M003 / NOT TO SCALE



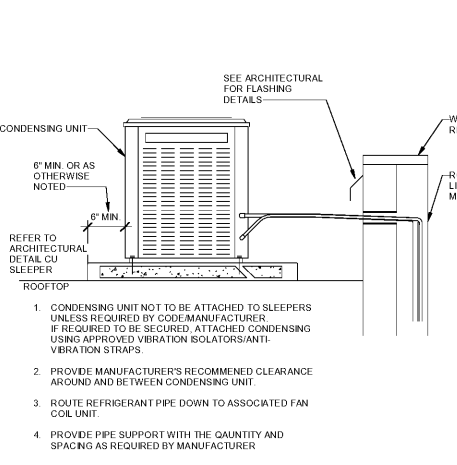
4 PIPING SUPPORT ON ROOF  
M003 / NOT TO SCALE



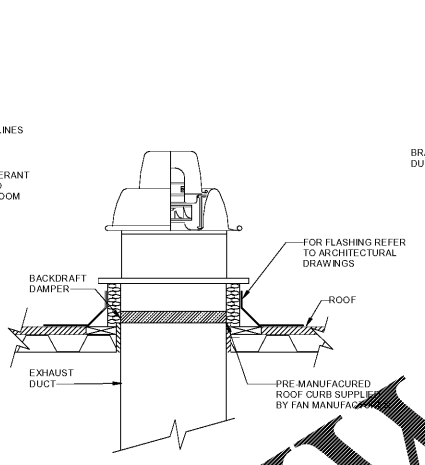
5 CONDENSATE DRAIN DETAIL FOR ROOFTOP UNIT  
M003 / NOT TO SCALE



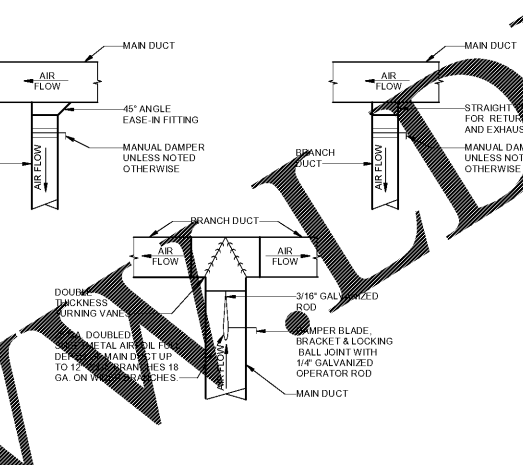
6 FURNACE UNIT DETAIL - FLOOR MOUNTED (1ST FLOOR)  
M003 / NOT TO SCALE



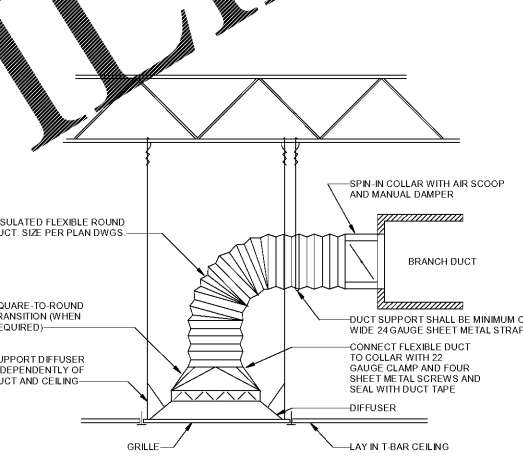
7 CONDENSING UNIT DETAIL  
M003 / NOT TO SCALE



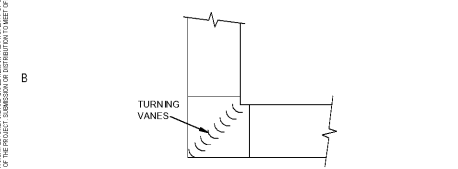
8 CENTRIFUGAL EXHAUST FAN DETAIL (E1-15)  
M003 / NOT TO SCALE



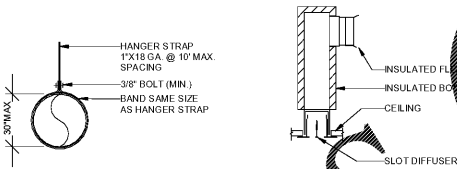
9 TYPICAL RECTANGULAR LOW-PRESSURE BRANCH TAKE-OFFS  
M003 / NOT TO SCALE



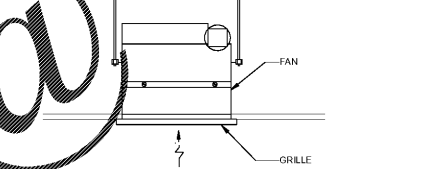
10 FLEX CONNECTION TO DIFFUSER  
M003 / NOT TO SCALE



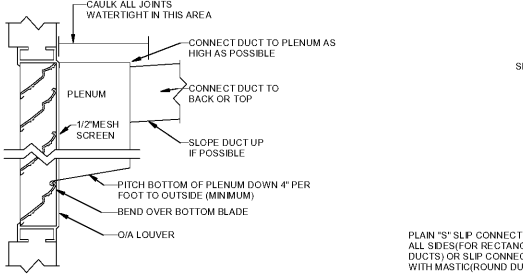
11 90 DEGREE ELBOW WITH TURNING VANES  
M003 / NOT TO SCALE



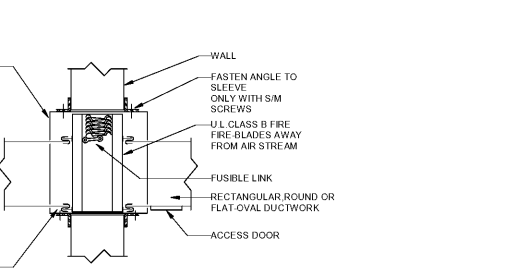
12 ROUND DUCT SUPPORT DETAIL  
M003 / NOT TO SCALE



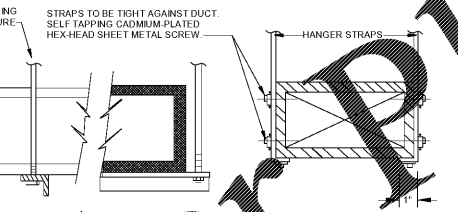
14 EXHAUST FAN CEILING MOUNTED  
M003 / NOT TO SCALE



15 DUCT CONNECTION TO WATERPROOF LOUVER  
M003 / NOT TO SCALE



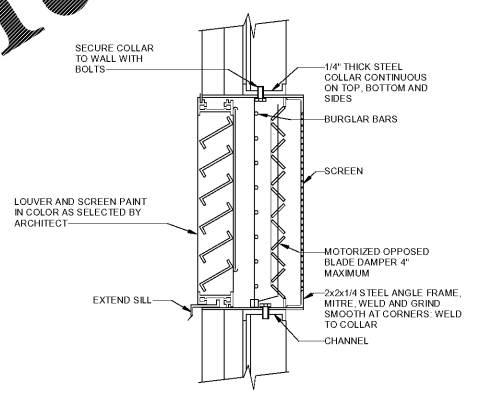
16 FIRE DAMPER DETAIL  
M003 / NOT TO SCALE



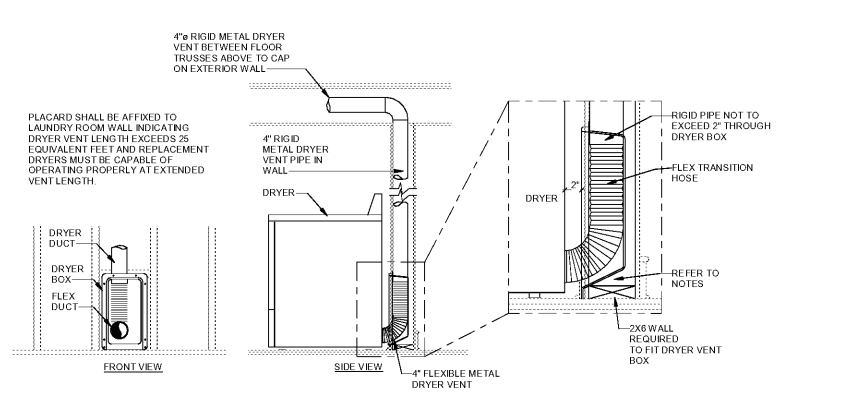
HANGER SIZES FOR RECTANGULAR DUCT

MAX SIDE	HANGER	SUPPORT ANGLE HORIZONTAL	SPACING MAXIMUM
30"	1" x 18" GALV STRAP	NONE REQUIRED	10'-0"
36"	ROUND ROD	1-1/2" x 1-1/2" x 1/8"	8'-0"
42"	1/4" ROUND ROD	2" x 2" x 1/8"	8'-0"
60"	5/16" ROUND ROD	2" x 2" x 1/8"	8'-0"
84"	3/8" ROUND ROD	2" x 2" x 1/8"	8'-0"

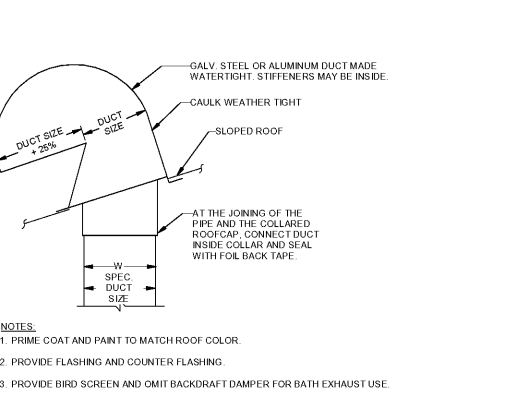
17 DUCT HANGER  
M003 / NOT TO SCALE



18 STATIONARY WALL LOUVER DETAIL  
M003 / NOT TO SCALE



19 TYPICAL DRYER VENT BOX DETAIL (1ST FLOOR)  
M003 / NOT TO SCALE



20 EXHAUST FAN ROOF CAP  
M003 / NOT TO SCALE

Order Plans