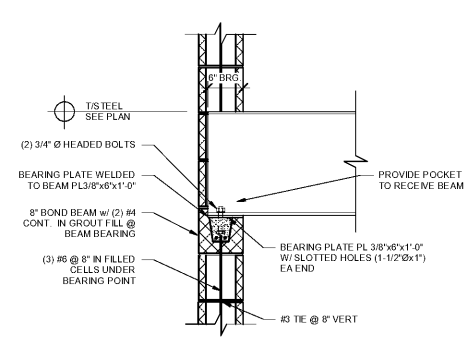


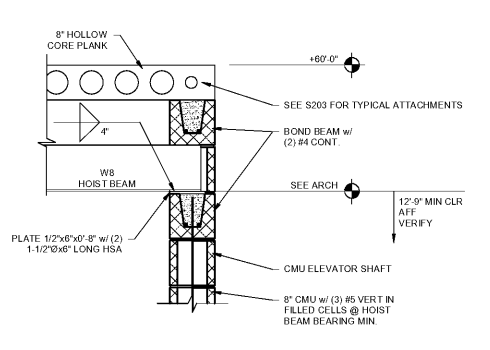
CONCRETE MASONRY LINTEL SCHEDULE*

CLEAR SPAN	6" BLOCK		8" BLOCK		12" BLOCK	
	LINTEL DEPTH	BOTTOM REINF.	LINTEL DEPTH	BOTTOM REINF.	LINTEL DEPTH	BOTTOM REINF.
UP TO 4'-0"	8"	1-#4	8"	2-#5	8"	2-#5
4'-0" TO 6'-0"	16"	1-#4	8"	2-#5	8"	2-#5
6'-0" TO 8'-0"	16"	1-#4	8"	2-#5	8"	#6
8'-0" TO 12'-0"	-	-	16"	2-#5	16"	#6
12'-0" TO 14'-0"	-	-	16"	2-#6	-	2-#6

*-NOTE: LINTELS SHALL BEAR 8" MIN ON REINFORCED GROUTED JAMB EACH SIDE

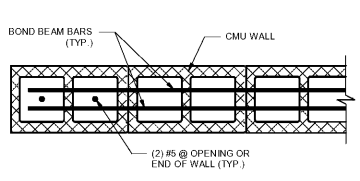


1 STEEL BEAM BEARING @ CMU
SCALE: NTS

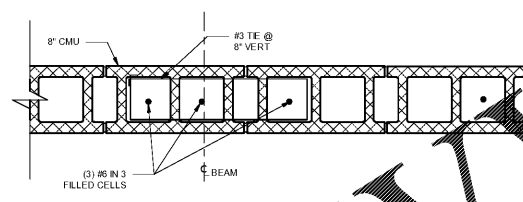


2 TYP. ELEVATOR HOIST BEAM SUPPORT
SCALE: NTS

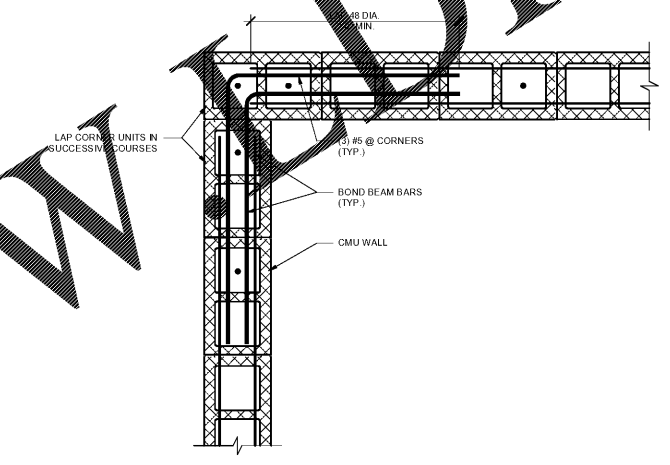
3 TYP. CMU LINTEL
SCALE: NTS



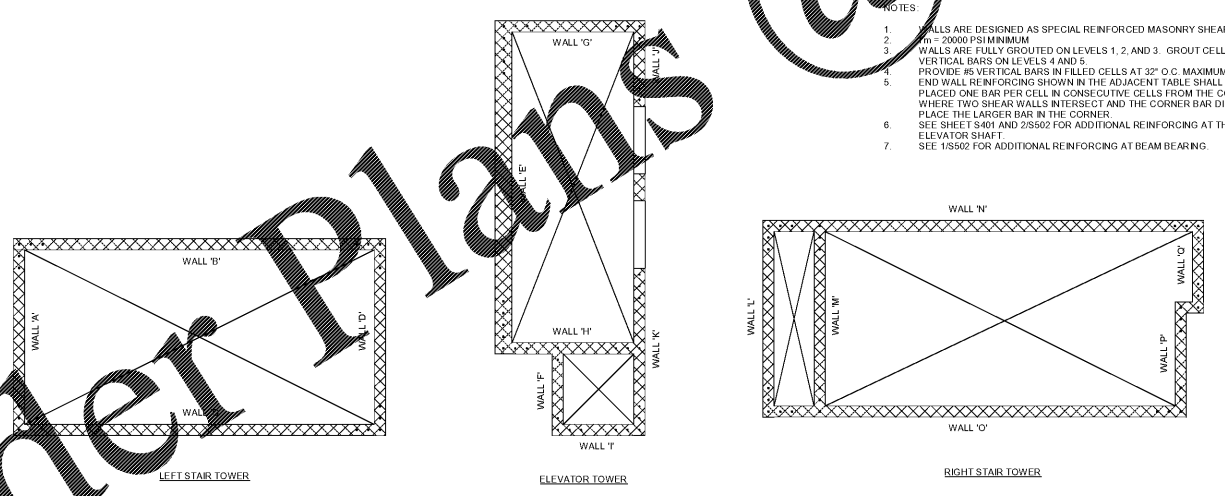
4 TYP. CMU WALL OPENING
SCALE: NTS



5 TYP. CMU COLUMN @ BEAM SUPPORT
SCALE: NTS



6 TYP. CMU WALL CORNER
SCALE: NTS



7 SHEAR WALL SCHEDULE
SCALE: 1/4" = 1'-0"

NOTES:

1. WALLS ARE DESIGNED AS SPECIAL REINFORCED MASONRY SHEAR WALLS
2. $f_m = 20000$ PSI MINIMUM
3. WALLS ARE FULLY GROUTED ON LEVELS 1, 2, AND 3. GROUT CELL WITH VERTICAL BARS ON LEVELS 4 AND 5.
4. PROVIDE #5 VERTICAL BARS IN FILLED CELLS AT 32" O.C. MAXIMUM
5. END WALL REINFORCING SHOWN IN THE ADJACENT TABLE SHALL BE PLACED ONE BAR PER CELL IN CONSECUTIVE CELLS FROM THE CORNER WHERE TWO SHEAR WALLS INTERSECT AND THE CORNER BAR DIFFERS. PLACE THE LARGER BAR IN THE CORNER.
6. SEE SHEET S501 AND S502 FOR ADDITIONAL REINFORCING AT THE ELEVATOR SHAFT.
7. SEE S502 FOR ADDITIONAL REINFORCING AT BEAM BEARING.

WALL ID	CMU SIZE	END WALL REINFORCING				
		1ST FLOOR	2ND FLOOR	3RD FLOOR	4TH FLOOR	5TH FLOOR
WALL 'A'	8" CMU	(3) #9	(3) #9	(2) #9	(2) #8	(1) #8
WALL 'B'	8" CMU	(3) #9	(3) #8	(3) #8	(2) #8	(1) #8
WALL 'C'	8" CMU	(3) #9	(3) #8	(3) #8	(2) #8	(1) #8
WALL 'D'	8" CMU	(3) #9	(3) #9	(2) #9	(2) #8	(1) #8
WALL 'E'	12" CMU	(5) #9	(4) #9	(4) #9	(3) #9	(3) #9
WALL 'F'	8" CMU	(2) #7	(2) #7	(2) #6	(2) #6	(1) #5
WALL 'G'	8" CMU	(3) #8	(3) #7	(3) #7	(2) #7	(1) #7
WALL 'H'	8" CMU	(3) #7	(3) #7	(3) #7	(2) #7	(1) #7
WALL 'I'	8" CMU	(3) #6	(2) #6	(2) #6	(2) #6	(1) #5
WALL 'J'	8" CMU	(2) #7	(2) #7	(2) #6	(2) #6	(1) #5
WALL 'K'	8" CMU	(3) #8	(3) #8	(3) #7	(2) #7	(1) #7
WALL 'L'	8" CMU	(3) #9	(3) #9	(3) #8	(3) #7	(2) #7
WALL 'M'	8" CMU	(3) #9	(3) #9	(3) #8	(2) #8	(1) #8
WALL 'N'	8" CMU	(3) #9	(3) #9	(3) #8	(2) #8	(1) #8
WALL 'O'	8" CMU	(3) #9	(3) #9	(2) #8	(2) #8	(1) #8
WALL 'P'	8" CMU	(3) #8	(3) #7	(3) #7	(2) #7	(1) #7
WALL 'Q'	8" CMU	(3) #7	(3) #7	(2) #7	(2) #7	(1) #7

ALL RIGHTS RESERVED. NO PART OF THIS DOCUMENT IS TO BE REPRODUCED OR TRANSMITTED IN ANY FORM OR BY ANY MEANS, ELECTRONIC OR MECHANICAL, INCLUDING PHOTOCOPYING, RECORDING, OR BY ANY INFORMATION STORAGE AND RETRIEVAL SYSTEM, WITHOUT THE WRITTEN PERMISSION OF THE ARCHITECT. THE ARCHITECT'S LIABILITY IS LIMITED TO THE PROFESSIONAL SERVICES PROVIDED HEREIN. THE ARCHITECT DOES NOT WARRANT THE ACCURACY OF THE INFORMATION PROVIDED HEREIN. THE ARCHITECT'S LIABILITY IS LIMITED TO THE PROFESSIONAL SERVICES PROVIDED HEREIN. THE ARCHITECT DOES NOT WARRANT THE ACCURACY OF THE INFORMATION PROVIDED HEREIN.