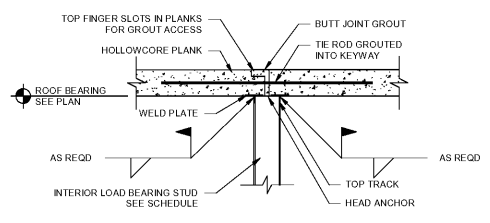
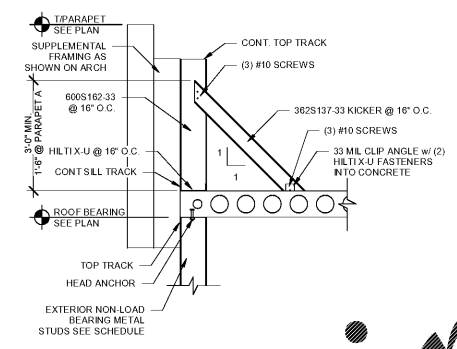


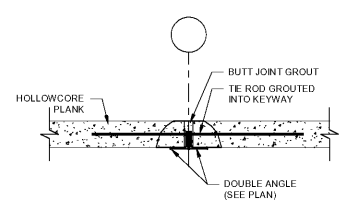
1 EXTERIOR BEARING ON METAL STUD @ ROOF
SCALE: 3/4" = 1'-0"



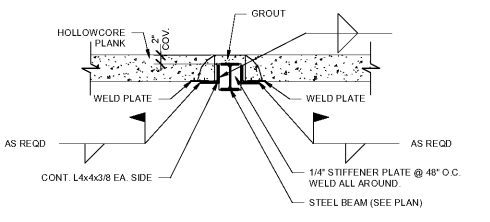
2 INTERIOR BEARING ON METAL STUD @ ROOF
SCALE: 3/4" = 1'-0"



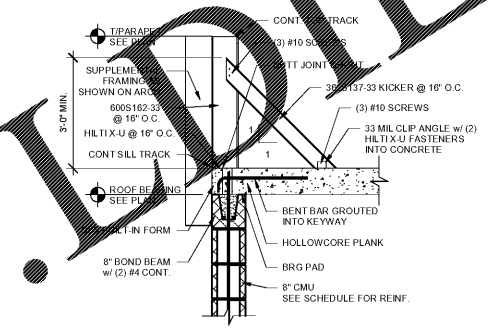
3 EXTERIOR SIDELAP ON METAL STUD @ ROOF
SCALE: 3/4" = 1'-0"



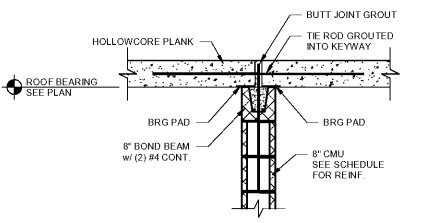
4 ANGLE SUPPORT @ CORRIDORS
SCALE: 3/4" = 1'-0"



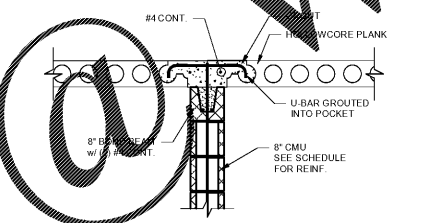
5 INTERIOR BEARING ON ROOF BEAM
SCALE: 3/4" = 1'-0"



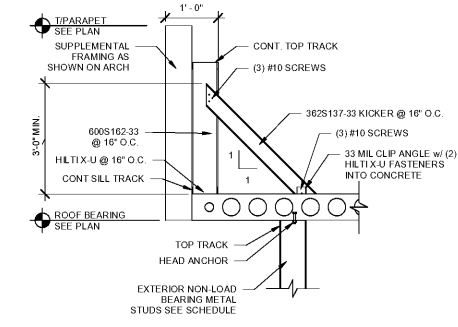
6 EXTERIOR BEARING @ CMU ROOF
SCALE: 3/4" = 1'-0"



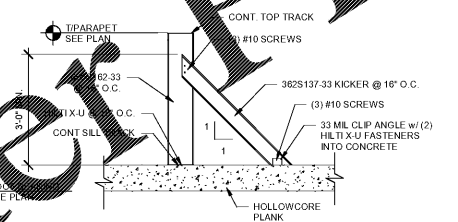
7 INTERIOR BEARING @ CMU ROOF
SCALE: 3/4" = 1'-0"



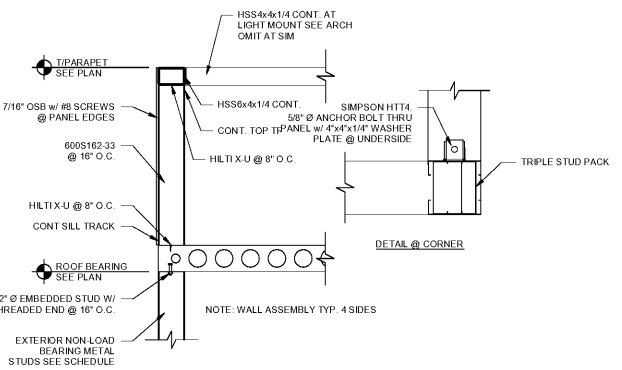
8 SIDELAP @ CMU ROOF
SCALE: 3/4" = 1'-0"



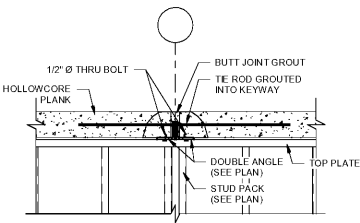
9 EXTERIOR OVERHANG ON METAL STUD @ ROOF
SCALE: 3/4" = 1'-0"



10 INTERIOR PARAPET FRAMING
SCALE: 3/4" = 1'-0"



11 LIGHTBOX WALL
SCALE: 3/4" = 1'-0"



12 SUPPORT @ DOUBLE ANGLE
SCALE: 3/4" = 1'-0"

NOTE: SECTIONS PROVIDED ARE FOR INFORMATION ONLY. FINAL HOLLOWCORE PLANK ASSEMBLY DETAILS TO BE PROVIDED BY THE HOLLOWCORE MANUFACTURER.

WINDSOR AUGHTRY
HOMEZ ASHEVILLE
380 AIRPORT RD.
ASHEVILLE, NC 28704

SHEET ISSUE
07/30/18
FOR CONSTRUCTION

Number	Revisions	Date

PRINCIPAL IN CHARGE
PROJECT ARCHITECT
DRAWN BY
SHEET TITLE:
ROOF FRAMING
DETAILS

SHEET NO. PROJ NO.
017378.00

S203

ALL RIGHTS RESERVED. NO PART OF THIS DOCUMENT IS TO BE REPRODUCED OR TRANSMITTED IN ANY FORM OR BY ANY MEANS, ELECTRONIC OR MECHANICAL, INCLUDING PHOTOCOPYING, RECORDING, OR BY ANY INFORMATION STORAGE AND RETRIEVAL SYSTEM, WITHOUT THE WRITTEN PERMISSION OF MCMILIAN PAZDAN SMITH ARCHITECTURE. THE INFORMATION CONTAINED HEREIN IS THE PROPERTY OF MCMILIAN PAZDAN SMITH ARCHITECTURE AND IS TO BE USED ONLY FOR THE PROJECT AND SITE SPECIFICALLY IDENTIFIED HEREIN. ANY REUSE OR MODIFICATION OF THIS INFORMATION WITHOUT THE WRITTEN PERMISSION OF MCMILIAN PAZDAN SMITH ARCHITECTURE IS STRICTLY PROHIBITED.