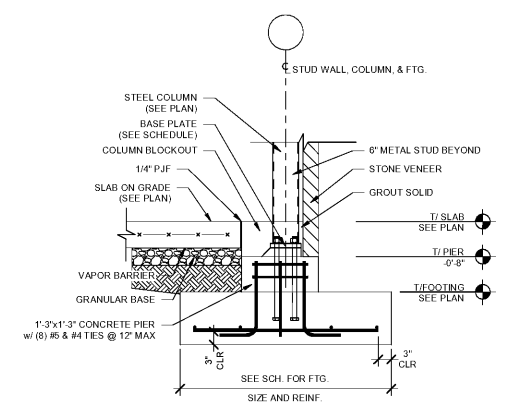
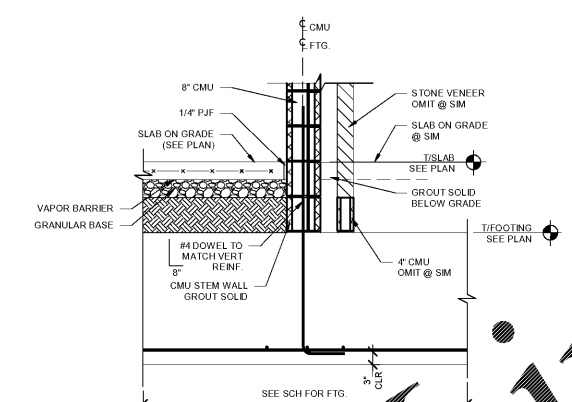


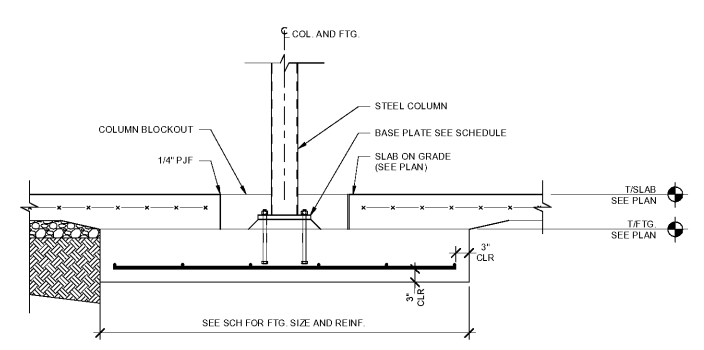
1 CONTINUOUS EXTERIOR FOOTING  
S201 SCALE: 3/4" = 1'-0"



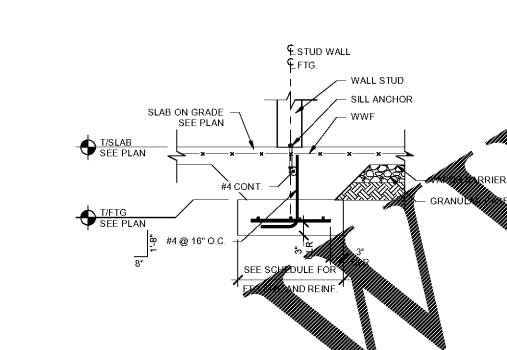
2 EXTERIOR COLUMN FOOTING  
S201 SCALE: 3/4" = 1'-0"



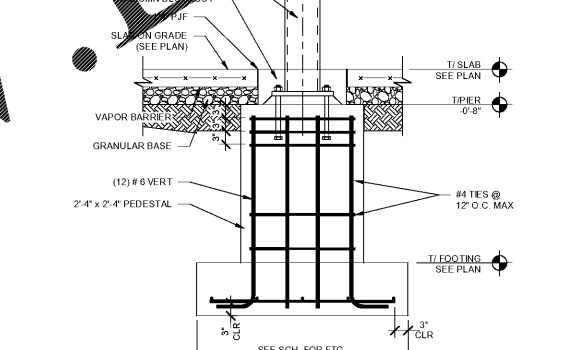
3 CMU FOOTING  
S201 SCALE: 3/4" = 1'-0"



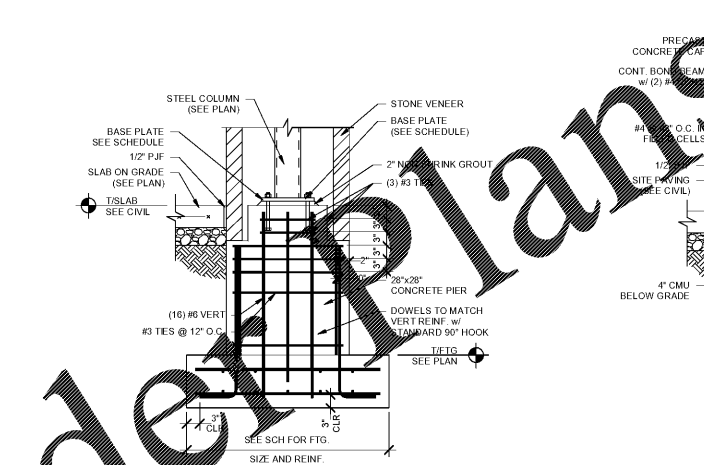
4 INTERIOR COLUMN FOOTING  
S201 SCALE: 3/4" = 1'-0"



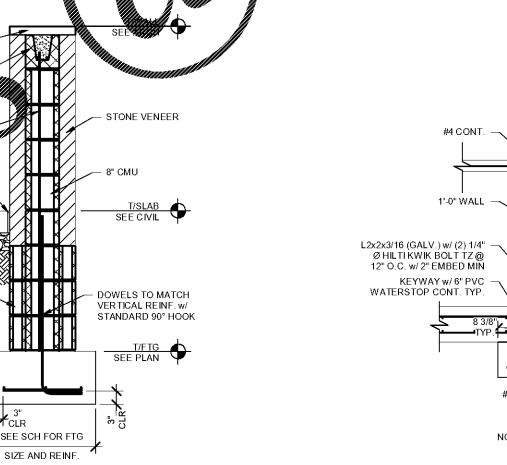
5 INTERIOR CONTINUOUS FOOTING  
S201 SCALE: 3/4" = 1'-0"



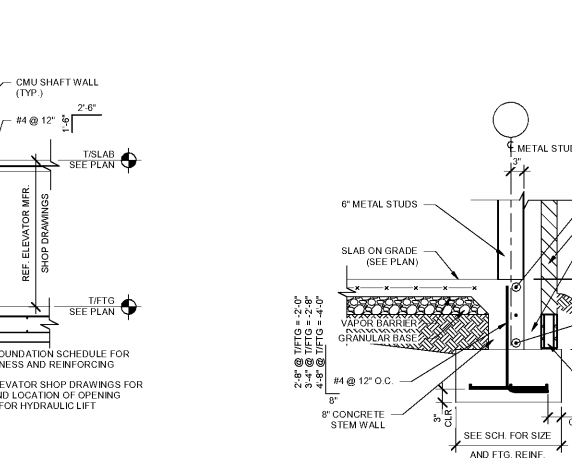
6 INTERIOR COLUMN @ DROPPED FOOTING  
S201 SCALE: 3/4" = 1'-0"



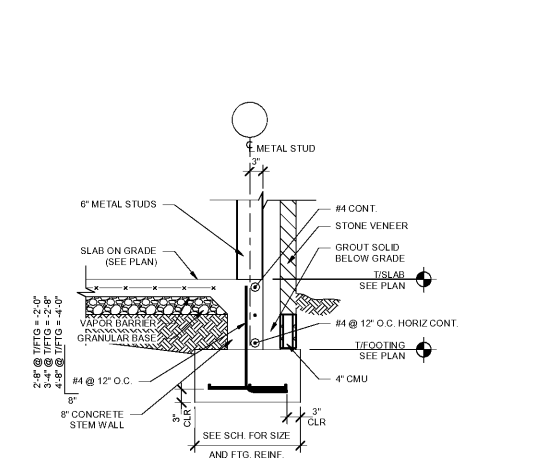
7 ISOLATED EXTERIOR COLUMN FOOTING  
S201 SCALE: 3/4" = 1'-0"



8 FOOTING @ SCREENING WALL  
S201 SCALE: 3/4" = 1'-0"



9 ELEVATOR PIT  
S201 SCALE: 1/2" = 1'-0"



10 ALTERNATE EXTERIOR FOOTING  
S201 SCALE: 3/4" = 1'-0"

WINDSOR AUGHTRY  
HOME2 ASHEVILLE  
380 AIRPORT RD.  
ASHEVILLE, NC 28704

SHEET ISSUE:  
07/30/18  
FOR CONSTRUCTION

Number	Revisions	Date

PRINCIPAL IN CHARGE  
PROJECT ARCHITECT  
DRAWN BY  
SHEET TITLE  
**FOUNDATION DETAILS**

SHEET NO  
PROJ NO  
01737890

**S201**

ORDER PLANS @ WWW.LDLINE.COM  
 ALL RIGHTS RESERVED. NO PART OF THIS DOCUMENT IS TO BE REPRODUCED OR TRANSMITTED IN ANY FORM OR BY ANY MEANS, ELECTRONIC OR MECHANICAL, INCLUDING PHOTOCOPYING, RECORDING, OR BY ANY INFORMATION STORAGE AND RETRIEVAL SYSTEM, WITHOUT THE WRITTEN PERMISSION OF THE ARCHITECT. THE ARCHITECT'S LIABILITY IS LIMITED TO THE PROFESSIONAL SERVICES PROVIDED HEREIN. THE ARCHITECT DOES NOT WARRANT THE ACCURACY OF THE INFORMATION PROVIDED HEREIN. THE ARCHITECT IS NOT RESPONSIBLE FOR ANY OMISSIONS OR ERRORS IN THE DRAWINGS OR FOR ANY CONSEQUENCES ARISING FROM THE USE OF THE DRAWINGS. THE ARCHITECT'S LIABILITY IS LIMITED TO THE PROFESSIONAL SERVICES PROVIDED HEREIN. THE ARCHITECT DOES NOT WARRANT THE ACCURACY OF THE INFORMATION PROVIDED HEREIN. THE ARCHITECT IS NOT RESPONSIBLE FOR ANY OMISSIONS OR ERRORS IN THE DRAWINGS OR FOR ANY CONSEQUENCES ARISING FROM THE USE OF THE DRAWINGS.